

**Thermo Scientific
Finnpipette**



Spare Part Catalog 2010

The technical data and prices are subject to change without prior notice. The drawings are for reference purpose only.

Single Channel

| | |
|--|-------------|
| Finnpipette F1 (includes Fixed Volume) | Pages 4-11 |
| Finnpipette F2 (includes Fixed Volume) | Pages 12-19 |
| Finnpipette F3 (includes Fixed Volume) | Pages 20-23 |
| Finnpipette FOCUS Short | Pages 24-29 |
| Finnpipette FOCUS STD | Pages 30-35 |
| Finnpipette Digital | Pages 36-39 |
| Finnpipette Colour | Pages 40-42 |
| Finnpipette P.D.P. (Former P.C.R.) | Page 43 |
| Finnpipette Campus | Pages 44-46 |
| Finnpipette Stepper | Page 47 |

Fixed Volume

| | |
|--------------------------------------|-------------|
| Finnpipette FOCUS Short Fixed Volume | Pages 48-53 |
| Finnpipette FOCUS STD Fixed Volume | Pages 54-59 |
| Finnpipette Digital Fixed Volume | Pages 60-63 |
| Finnpipette Colour Fixed Volume | Pages 64-67 |

Multichannel

| | |
|---|---------------|
| Finnpipette F1 MCP | Pages 68-73 |
| Finnpipette F2 MCP | Pages 74-79 |
| Finnpipette F3 MCP | Pages 80-83 |
| Finnpipette FOCUS MCP+ | Pages 84-89 |
| Finnpipette FOCUS MCP | Pages 90-95 |
| Finnpipette Digital MCP | Pages 96-101 |
| Finnpipette Colour MCP | Pages 102-105 |
| Finnpipette Varichannel | Pages 106-107 |
| Finnpipette Multistepper | Pages 108-109 |
| Finnpipette (Stepper) Multistepper Module | Page 110 |

Finnpipette C1

Page 111

BioMate, Dispenser & Finnpipette Digital additions

Pages 112-113

Novus

| | |
|---|---------------|
| Finnpipette Novus Backlight HD Single Channel | Pages 114-119 |
| Finnpipette Novus Backlight HD Multi Channel | Pages 120-127 |
| Finnpipette Novus handle differences | Pages 128 |

BioControl

| | |
|-----------------------------------|---------------|
| Finnpipette BioControl Handle | Pages 130-131 |
| Finnpipette BioControl SC Modules | Pages 132-133 |
| Finnpipette BioControl MC Modules | Pages 134-139 |

Spare Parts in Order of Code Number

Pages 140-159

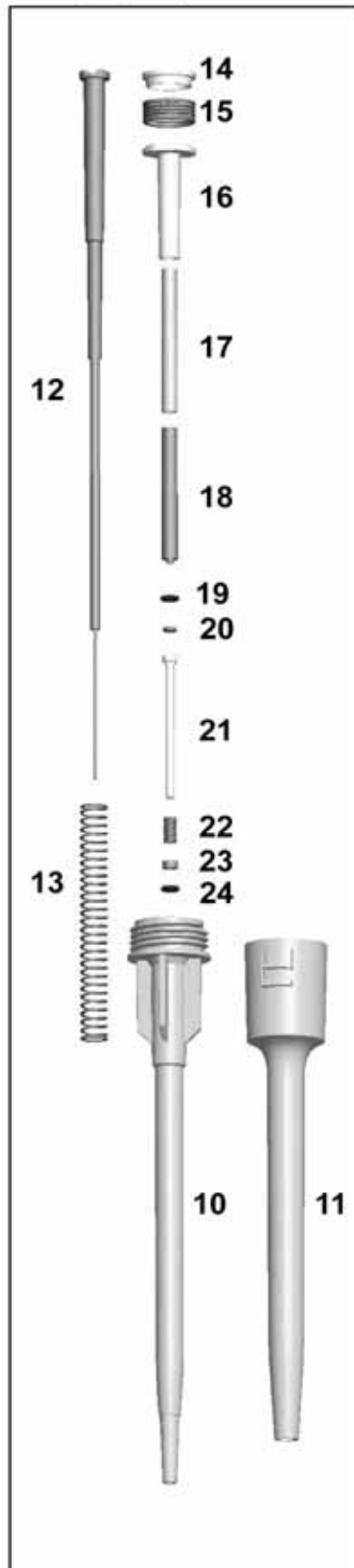
Contacts

Page 160

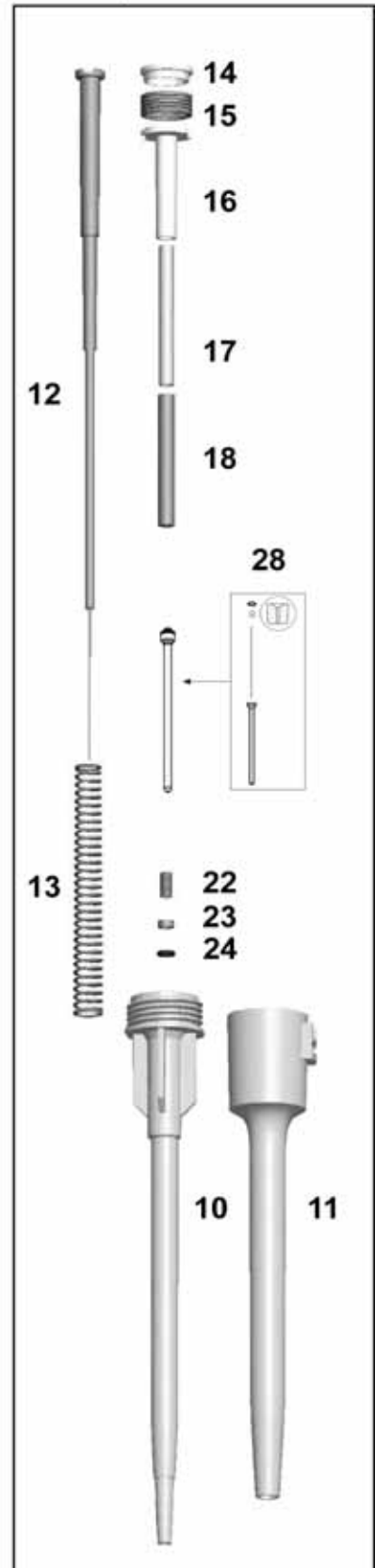
Finnpipette F1

0.5-5µl, 1-10µl
5µl, 10µl Fixed

0.2-2µl
1µl Fixed



42. Tip cone assy



42. Tip cone assy

Finnpipette SCP Spare Parts 1.Jan.2010

Finnpipette F1 and F1 Fixed Volume

Reference

Part name

On all models:

| | |
|----------|-------------------------------------|
| 1062800 | 1. Service Tool, F-series |
| 2212080 | 4. Tip ejector pusher upper part F1 |
| 11072100 | 6. Pin 1.9 x 9.6 mm |
| 1063370 | 7. Gear Ejector F-series |
| 1132820 | 8. Ejector Spring 0,5x4,5x20 |
| 1063250 | 9. Label Slider F1 |
| 1063560 | 10. Tip Cone 10&20 F1 |
| 1132650 | 13. Piston Spring 0,6x6,8x75 |
| 1060630 | 14. Spring base 1000ul Focus |
| 1132640 | 15. O-Ring Spring 0,7x11,8x17 |
| 1061780 | 16. Spring Support 100 F-series |
| 10593330 | 17. O-ring tube |
| 1131800 | 22. Dash Spring 0,3x2,7x12 |
| 10593360 | 23. Spring Support |
| 1030170 | 24. O-ring 1,6x1,0 EPDM 70S |

4641010

Finnpipette F1 0.2-2ul micro

4651000

Finnpipette F1 Fixed 1ul micro

| | |
|----------|---|
| 2211950 | 3. Handle 0.2-2ul Micro, F1 |
| 2212450 | 3. Handle 1ul Fixed, F1 |
| 1063231 | 5. Tip ejector pusher lower part 0,2-2ul F1 |
| 10632307 | 5. Tip ejector pusher lower part Fixed F1 |
| 1064380 | 11. Tip Ejector 10&20 F1 |
| 2211870 | 12. Piston 2ul F-series |
| 10593300 | 18. O-ring tube 2ul |
| 2205730 | 28. Sealing assy 2ul, Digital |
| 2212090 | 42. Tip cone assy 2ul, F1 |

4641020

Finnpipette F1 0.5-5ul micro

4651010

Finnpipette F1 Fixed 5ul micro

| | |
|----------|---|
| 2211960 | 3. Handle 0.5-5ul Micro, F1 |
| 2212460 | 3. Handle 5ul Fixed, F1 |
| 1063232 | 5. Tip ejector pusher lower part 0,5-5ul F1 |
| 10632307 | 5. Tip ejector pusher lower part Fixed F1 |
| 1064380 | 11. Tip Ejector 10&20 F1 |
| 2211880 | 12. Piston 5ul F-series |
| 10593310 | 18. O-ring tube 10ul |
| 1030380 | 19. O-ring 2x1 EPDM 70S |
| 1033160 | 20. O-ring 0,5x1,0 EPDM |
| 10593290 | 21. Sealing Casing |
| 2212100 | 42. Tip cone assy 5ul, F1 |

4641030

Finnpipette F1 1-10ul micro

4641040

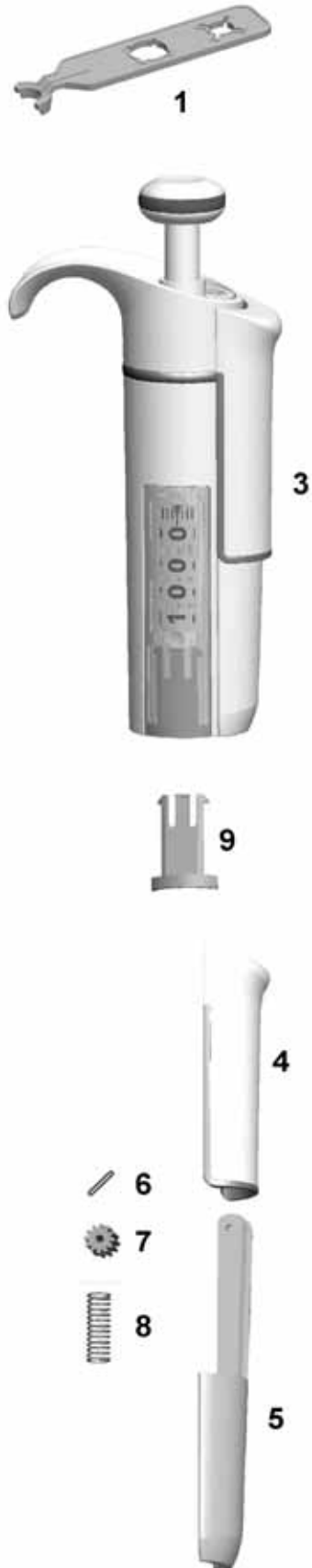
Finnpipette F1 1-10ul

4651020

Finnpipette F1 Fixed 10ul

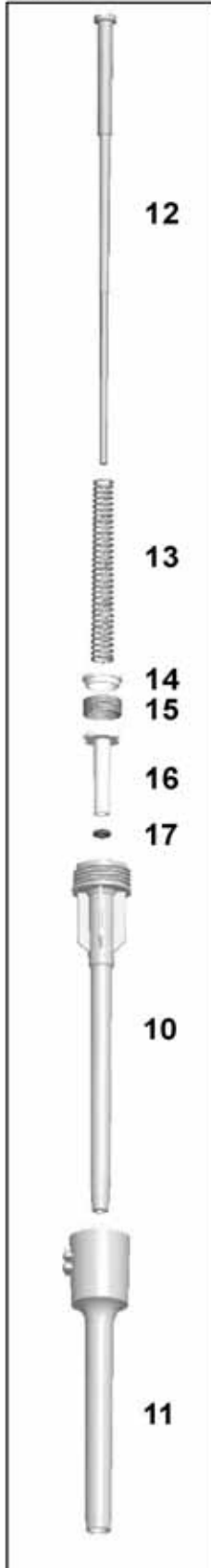
| | |
|----------|--|
| 2211970 | 3. Handle 1-10ul Micro, F1 |
| 2211980 | 3. Handle 1-10ul universal, F1 |
| 2212470 | 3. Handle 10ul Fixed, F1 |
| 1063233 | 5. Tip ejector pusher lower part 1-10ul micro F1 |
| 1063239 | 5. Tip ejector pusher lower part 1-10ul F1 |
| 10632307 | 5. Tip ejector pusher lower part Fixed F1 |
| 1064380 | Micro 11. Tip Ejector 10&20 F1 |
| 1064370 | Univ. 11. Tip Ejector 100&200&300 F1 |
| 2210300 | 12. Piston 10ul F-series |
| 10593310 | 18. O-ring tube 10ul |
| 1030380 | 19. O-ring 2x1 EPDM 70S |
| 1030060 | 20. O-ring 0,78x1,02 EPDM 70S |
| 10593290 | 21. Sealing Casing |
| 2212110 | 42. Tip cone assy 10ul Micro, F1 |
| 2212170 | 42. Tip cone assy 10ul universal, F1 |

Finnpipette F1



10-100µl

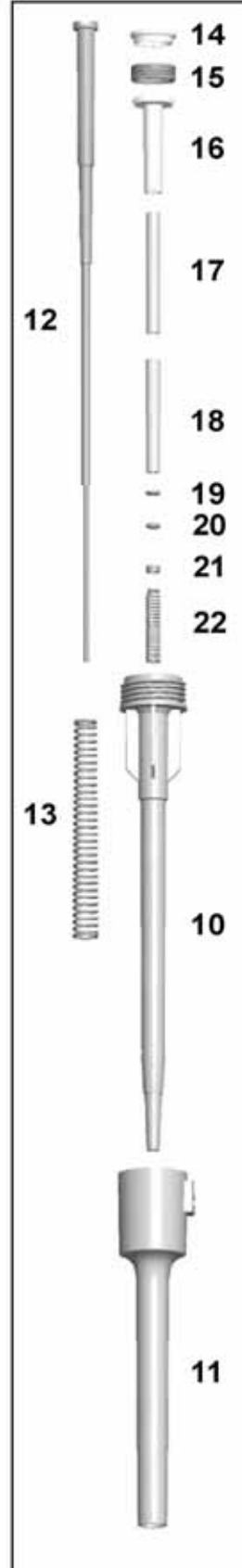
25µl, 50µl, 100µl
Fixed



42. Tip cone assy
Page 6

2-20µl, 5-50µl

20µl Fixed



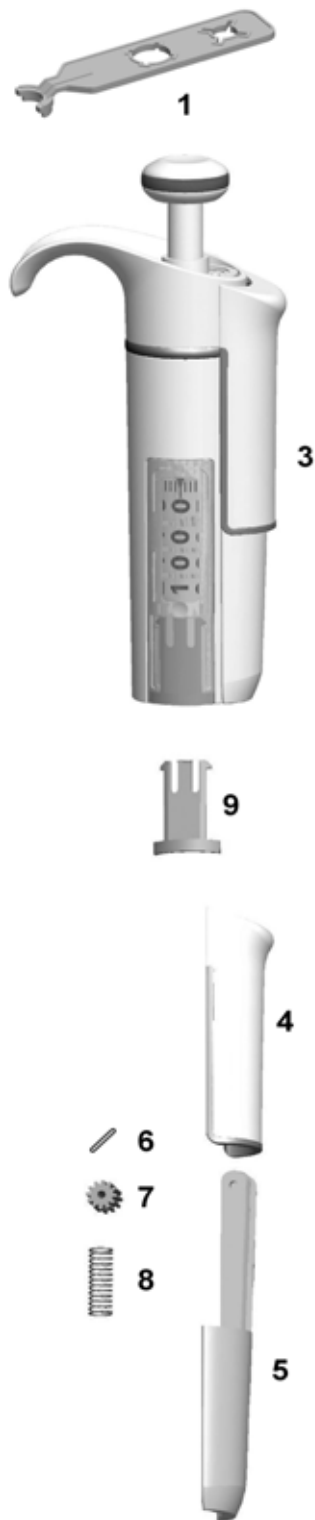
42. Tip cone assy

Finnpipette SCP Spare Parts 1.Jan.2010

Finnpipette F1 and F1 Fixed Volume

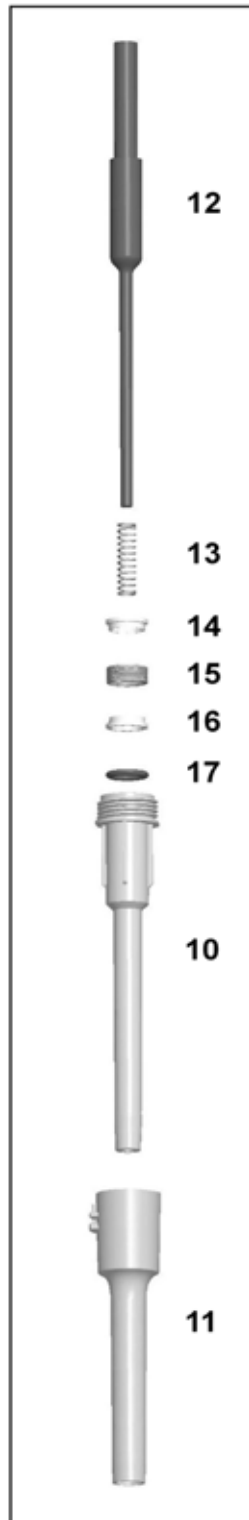
| Reference | Part name |
|----------------|--|
| On all models: | |
| 1062800 | 1. Service Tool, F-series |
| 2212080 | 4. Tip ejector pusher upper part F1 |
| 11072100 | 6. Pin 1.9 x 9.6 mm |
| 1063370 | 7. Gear Ejector F-series |
| 1132820 | 8. Ejector Spring 0,5x4,5x20 |
| 1063250 | 9. Label Slider F1 |
| 4641050 | Finnpipette F1 2-20ul micro |
| 4641060 | Finnpipette F1 2-20ul |
| 4651130 | Finnpipette F1 Fixed 20ul |
| 2211990 | 3. Handle 2-20ul Micro, F1 |
| 2212000 | 3. Handle 2-20ul universal, F1 |
| 2213090 | 3. Handle 20ul Fixed, F1 |
| 1063234 | 5. Tip ejector pusher lower part 2-20ul micro F1 |
| 10632301 | 5. Tip ejector pusher lower part 2-20ul F1 |
| 10632307 | 5. Tip ejector pusher lower part Fixed F1 |
| 1063560 | 10. Tip Cone 10&20 F1 |
| 1064380 | Micro 11. Tip Ejector 10&20 F1 |
| 1064370 | Univ. 11. Tip Ejector 100&200&300 F1 |
| 2210310 | 12. Piston assy 20ul F-series |
| 1132650 | 13. Piston Spring 0,6x6,8x75 |
| 1060630 | 14. Spring base 1000ul Focus |
| 1132640 | 15. O-Ring Spring 0,7x11,8x17 |
| 1061780 | 16. Spring Support 100 F-series |
| 10593330 | 17. O-ring tube |
| 10593320 | 18. O-ring tube 20ul |
| 1030380 | 19. O-ring 2x1 EPDM 70S |
| 1033110 | 20. O-ring 1.06x1.27 EPDM 70S |
| 10593360 | 21. Spring Support |
| 1132120 | 22. Spring 0,3x3,4x20 |
| 2212180 | 42. Tip cone assy 20ul Micro, F1 |
| 2212190 | 42. Tip cone assy 20ul universal, F1 |
| 4641130 | Finnpipette F1 5-50ul micro |
| 4641140 | Finnpipette F1 5-50ul |
| 2213020 | 3. Handle 5-50ul Micro, F1 |
| 2213040 | 3. Handle 5-50ul universal, F1 |
| 10632305 | 5. Tip ejector pusher lower part 5-50ul micro F1 |
| 10632304 | 5. Tip ejector pusher lower part 5-50ul F1 |
| 1063560 | Micro 10. Tip Cone 10&20 F1 |
| 1064030 | Univ. 10. Tip Cone 50 F1/F3 |
| 1064380 | Micro 11. Tip Ejector 10&20 F1 |
| 1064370 | Univ. 11. Tip Ejector 100&200&300 F1 |
| 1064760 | 12. Piston 50 F1/F2/F3 |
| 1132650 | 13. Piston Spring 0,6x6,8x75 |
| 1060630 | 14. Spring base 1000ul Focus |
| 1132640 | 15. O-Ring Spring 0,7x11,8x17 |
| 1061780 | 16. Spring Support 100 F-series |
| 10593330 | 17. O-ring tube |
| 1064770 | 18. O-ring tube F1/F2/F3 |
| 1030500 | 19. O-ring 2,3x1,0 EPDM 70S |
| 1033060 | 20. O-ring 1,78x1,02 EPDM 70S |
| 10593500 | 21. Spring support 50ul |
| 1132340 | 22. Dash Spring 0,3x3,6x45 |
| 2213030 | 42. Tip cone assy 50ul Micro, F1 |
| 2213050 | 42. Tip cone assy 50ul universal, F1 |
| 4641070 | Finnpipette F1 10-100ul |
| 4651030 | Finnpipette F1 Fixed 25ul |
| 4651040 | Finnpipette F1 Fixed 50ul |
| 4651050 | Finnpipette F1 Fixed 100ul |
| 2212010 | 3. Handle 10-100ul, F1 |
| 2212480 | 3. Handle 25ul Fixed, F1 |
| 2212490 | 3. Handle 50ul Fixed, F1 |
| 2212500 | 3. Handle 100ul Fixed, F1 |
| 1063235 | 5. Tip ejector pusher lower part 10-100ul F1 |
| 10632307 | 5. Tip ejector pusher lower part Fixed F1 |
| 1063570 | 10. Tip Cone 100&200&300 |
| 1064370 | 11. Tip Ejector 100&200&300 F1 |
| 1061690 | 12. Piston 100 F1/F2/F3 |
| 1132650 | 13. Piston Spring 0,6x6,8x75 |
| 1060630 | 14. Spring base 1000ul Focus |
| 1132640 | 15. O-Ring Spring 0,7x11,8x17 |
| 1061780 | 16. Spring Support 100 F-series |
| 1030510 | 17. O-ring 2,6x1,3 EPDM 70S |
| 2212200 | 42. Tip cone assy 100ul, F1 |

Finnpipette F1



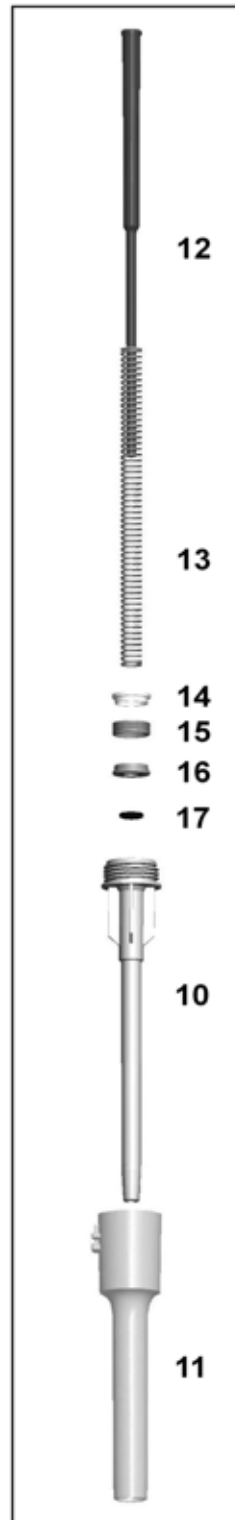
100-1000 μ l

250 μ l, 500 μ l, 1000 μ l
Fixed



42. Tip cone assy

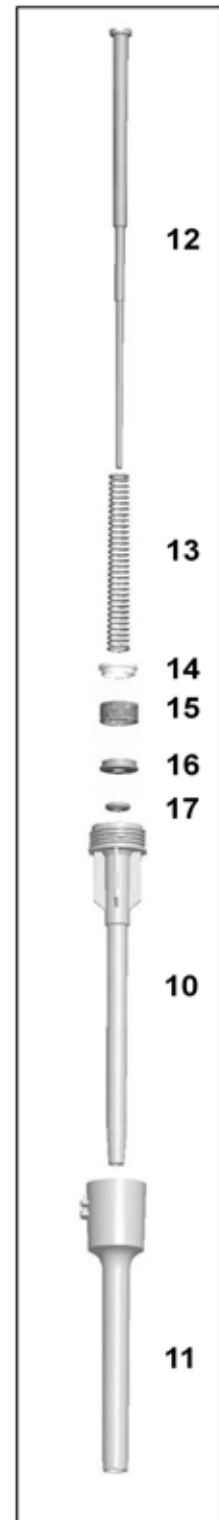
30-300 μ l



42. Tip cone assy

20-200 μ l

200 μ l Fixed



42. Tip cone assy

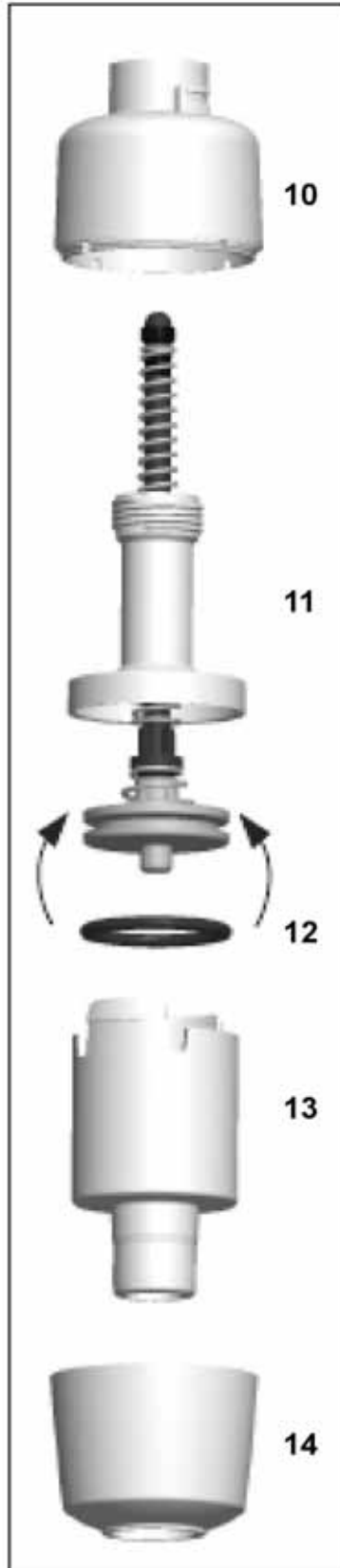
Finnpipette F1 and F1 Fixed Volume

| Reference | Part name |
|----------------|--|
| On all models: | |
| 1062800 | 1. Service Tool, F-series |
| 2212080 | 4. Tip ejector pusher upper part F1 |
| 11072100 | 6. Pin 1.9 x 9.6 mm |
| 1063370 | 7. Gear Ejector F-series |
| 1132820 | 8. Ejector Spring 0,5x4,5x20 |
| 1063250 | 9. Label Slider F1 |
| 4641080 | Finnpipette F1 20-200ul |
| 4651140 | Finnpipette F1 Fixed 200ul |
| 2212020 | 3. Handle 20-200ul, F1 |
| 2213100 | 3. Handle 200ul Fixed, F1 |
| 1063236 | 5. Tip ejector pusher lower part 20-200ul F1 |
| 10632307 | 5. Tip ejector pusher lower part Fixed F1 |
| 1063570 | 10. Tip Cone 100&200&300 |
| 1064370 | 11. Tip Ejector 100&200&300 F1 |
| 1061760 | 12. Piston 200 F-series |
| 1132650 | 13. Piston Spring 0,6x6,8x75 |
| 1060630 | 14. Spring base 1000ul Focus |
| 1132640 | 15. O-Ring Spring 0,7x11,8x17 |
| 1061770 | 16. Spring Support 200 F-series |
| 1030160 | 17. O-ring 3.68x1.78 EPDM 70S |
| 2212210 | 42. Tip cone assy 200ul, F1 |
| 4641090 | Finnpipette F1 30-300ul |
| 2212030 | 3. Handle 30-300ul, F1 |
| 10632302 | 5. Tip ejector pusher lower part 30-300ul F1 |
| 1063570 | 10. Tip Cone 100&200&300 |
| 1064370 | 11. Tip Ejector 100&200&300 F1 |
| 1064120 | 12. Piston 300ul F1 |
| 1132830 | 13. Piston Spring 0,5x6,5x120 |
| 1060630 | 14. Spring base 1000ul Focus |
| 1132640 | 15. O-Ring Spring 0,7x11,8x17 |
| 1061770 | 16. Spring Support 200 F-series |
| 1033330 | 17. O-ring 4.70x1,42 EPDM 70S |
| 2212220 | 42. Tip cone assy 300ul, F1 |
| 4641100 | Finnpipette F1 100-1000ul |
| 4651060 | Finnpipette F1 Fixed 250ul |
| 4651070 | Finnpipette F1 Fixed 500ul |
| 4651080 | Finnpipette F1 Fixed 1000ul |
| 2212040 | 3. Handle 100-1000ul, F1 |
| 2212510 | 3. Handle 250ul Fixed, F1 |
| 2212520 | 3. Handle 500ul Fixed, F1 |
| 2212530 | 3. Handle 1000ul Fixed, F1 |
| 1063237 | 5. Tip ejector pusher lower part 100-1000ul F1 |
| 10632307 | 5. Tip ejector pusher lower part Fixed F1 |
| 1063580 | 10. Tip Cone 1000 F1 |
| 1064360 | 11. Tip Ejector 1000 F1 |
| 1061680 | 12. Piston 1000ul F-series |
| 1132320 | 13. Piston Spring 0,45x5,2x60 |
| 1060630 | 14. Spring base 1000ul Focus |
| 1132640 | 15. O-Ring Spring 0,7x11,8x17 |
| 1060630 | 16. Spring base 1000ul Focus |
| 1030020 | 17. O-ring 8,73x1,78 EPDM 70S |
| 2212240 | 42. Tip cone assy 1000ul, F1 |

Finnpipette F1

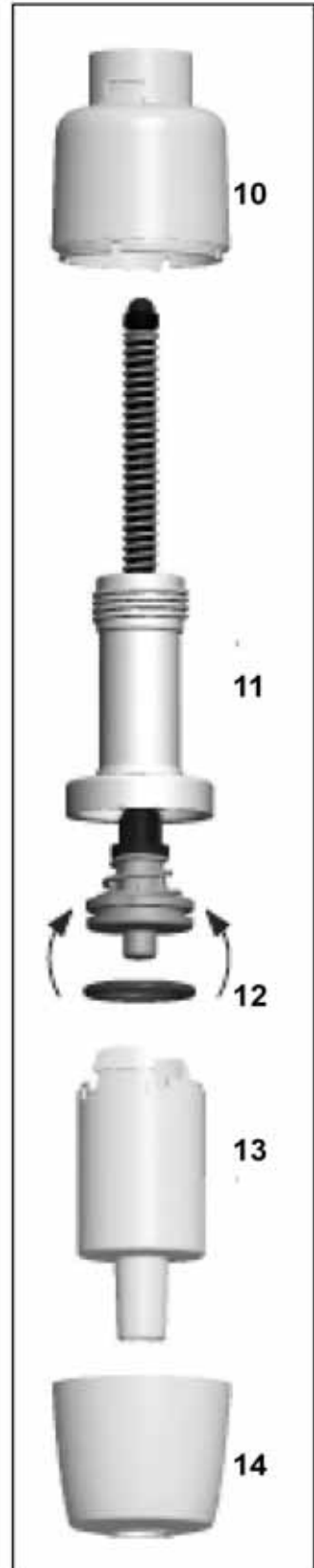


1-10ml
6-10ml Fixed



42. Tip cone assy

0.5-5ml
2-5ml Fixed



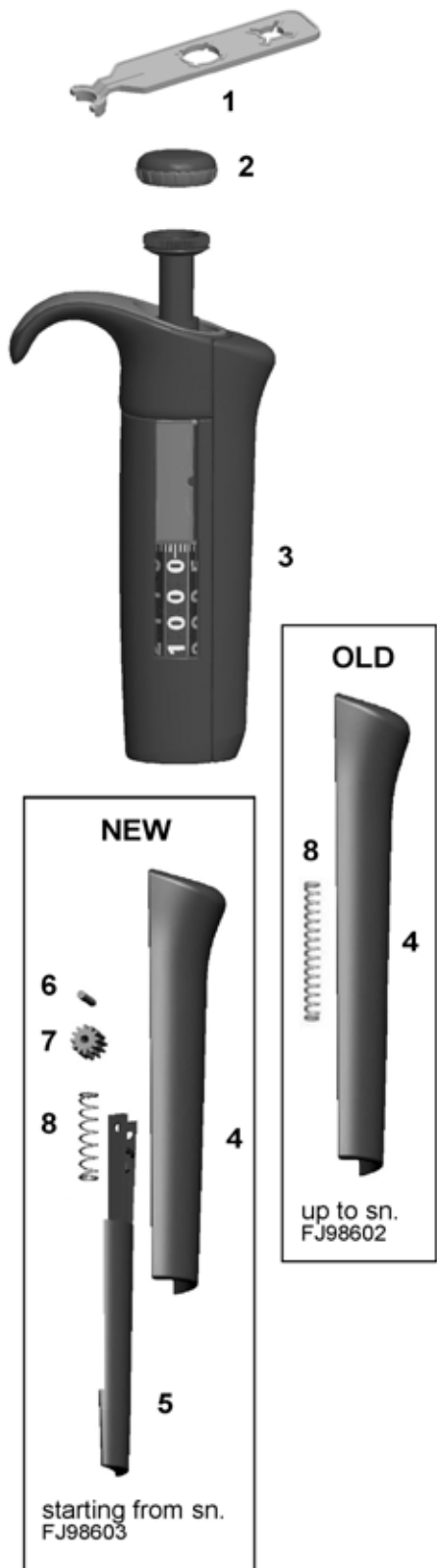
42. Tip cone assy

Finnpipette SCP Spare Parts 1.Jan.2010

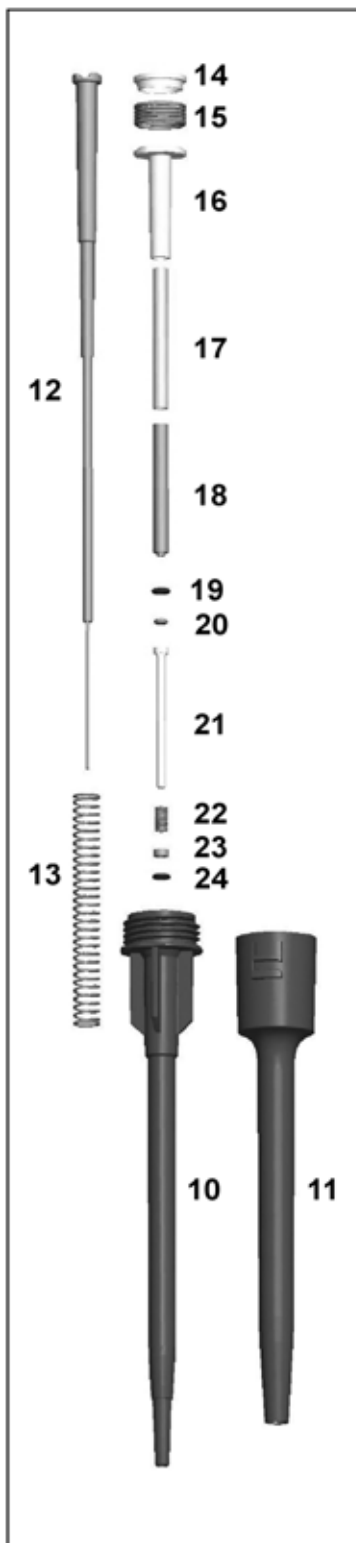
Finnpipette F1 and F1 Fixed Volume

| Reference | Part name |
|----------------|---|
| On all models: | |
| 1062800 | 1. Service Tool, F-series |
| 2212080 | 4. Tip ejector pusher upper part F1 |
| 11072100 | 6. Pin 1.9 x 9.6 mm |
| 1063370 | 7. Gear Ejector F-series |
| 1132820 | 8. Ejector Spring 0,5x4,5x20 |
| 1063250 | 9. Label Slider F1 |
| 4641110 | Finnpipette F1 0.5-5ml |
| 4651090 | Finnpipette F1 Fixed 2ml |
| 4651100 | Finnpipette F1 Fixed 3ml |
| 4651110 | Finnpipette F1 Fixed 5ml |
| 2212050 | 3. Handle 0.5-5ml, F1 |
| 2212540 | 3. Handle 2ml Fixed, F1 |
| 2212550 | 3. Handle 3ml Fixed, F1 |
| 2212560 | 3. Handle 5ml Fixed, F1 |
| 10632303 | 5. Tip ejector pusher lower part 0,5-5ml F1 |
| 10632307 | 5. Tip ejector pusher lower part Fixed F1 |
| 1063310 | 10. Tip Ejector Top 5ml F1 |
| 2212600 | 11. Piston assy 5ml F1 |
| 1030230 | 12. O-ring 16x2,0 EPDM 70S |
| 1060790 | 13. Cylinder 5ml Focus |
| 1063320 | 14. Tip Ejector Bottom 5ml F1 |
| 2212250 | 42. Tip cone assy 5ml, F1 |
| 4641120 | Finnpipette F1 1-10ml |
| 4651120 | Finnpipette F1 Fixed 10ml |
| 2212060 | 3. Handle 1-10ml, F1 |
| 2212570 | 3. Handle 10ml Fixed, F1 |
| 1063238 | 5. Tip ejector pusher lower part 1-10ml F1 |
| 10632307 | 5. Tip ejector pusher lower part Fixed F1 |
| 1064400 | 10. Tip Ejector Top 10ml F1 |
| 2212320 | 11. Piston assy 10ml F1 |
| 1033050 | 12. O-ring 23,47x2,62 EPDM 70S |
| 1060510 | 13. Cylinder 10ml Focus |
| 1064410 | 14. Tip Ejector Bottom 10ml F1 |
| 2212260 | 42. Tip cone assy 10ml, F1 |

Finnpipette F2

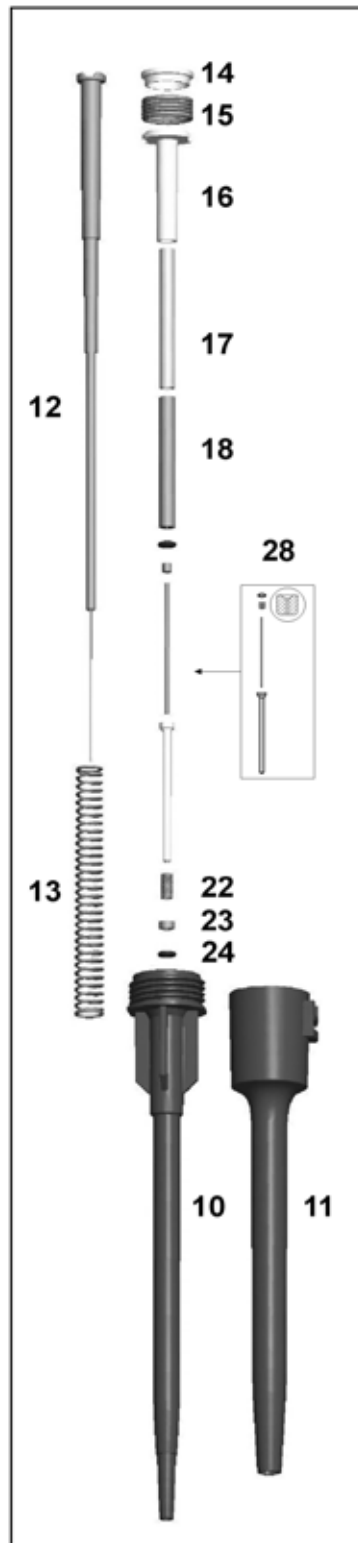


0.5-5µl, 1-10µl
 5µl, 10µl Fixed



42. Tip cone assy

0.2-2µl
 1µl Fixed

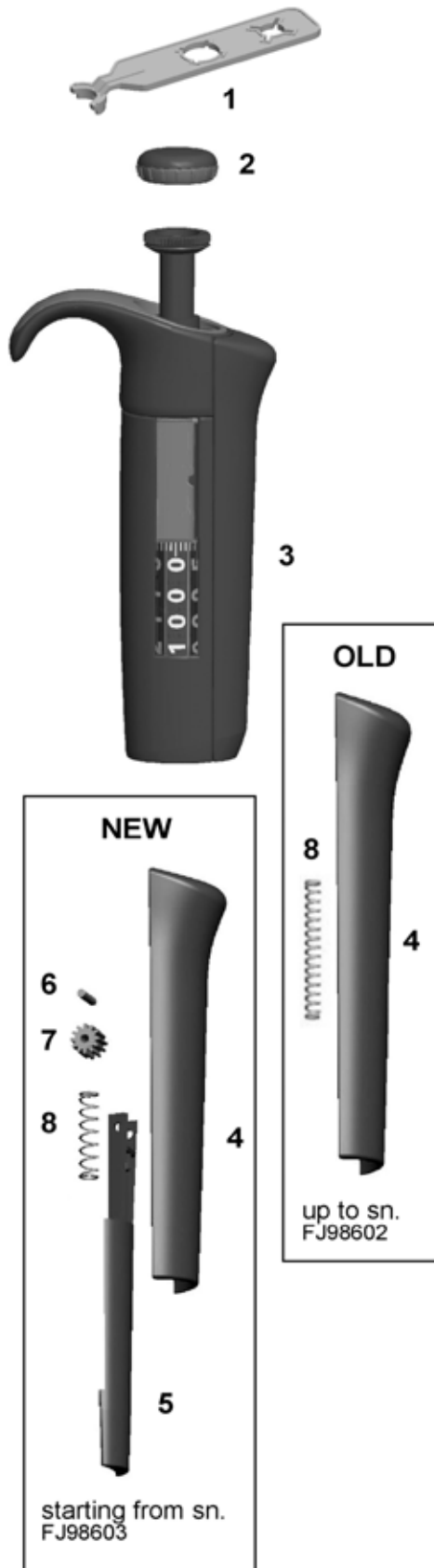


42. Tip cone assy

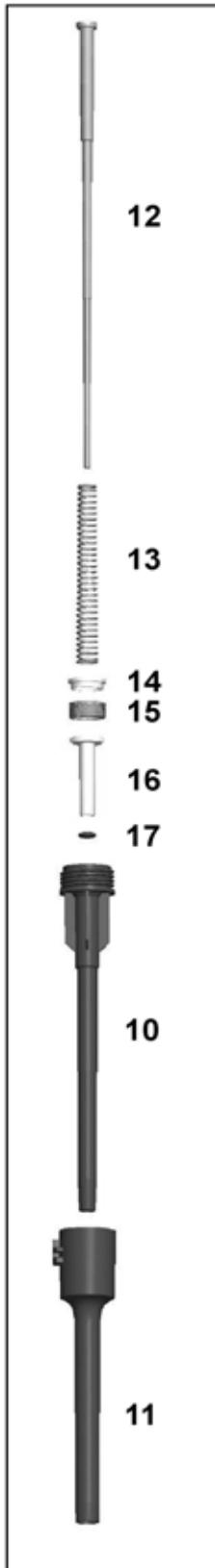
Finnpipette F2 and F2 Fixed Volume

| Reference | Part name |
|----------------|--|
| On all models: | |
| 1062800 | 1. Service Tool, F-series |
| 1064740 | 5. Tip ejector pusher lower part F2 |
| 11072100 | 6. Pin 1.9 x 9.6 mm |
| 1063370 | 7. Gear Ejector F-series |
| 1132680 | OLD 8. Ejector Spring 0,5x3,8x32,5 |
| 1132820 | NEW 8. Ejector Spring 0,5x4,5x20 |
| 1061640 | 10. Tip Cone 10&20 F2 |
| 1132650 | 13. Piston Spring 0,6x6,8x75 |
| 1060630 | 14. Spring base 1000ul Focus |
| 1132640 | 15. O-Ring Spring 0,7x11,8x17 |
| 1061780 | 16. Spring Support 100 F-series |
| 10593330 | 17. O-ring tube |
| 1131800 | 22. Dash Spring 0,3x2,7x12 |
| 10593360 | 23. Spring Support |
| 1030170 | 24. O-ring 1,6x1,0 EPDM 70S |
| 4642010 | Finnpipette F2 0.2-2ul micro |
| 4652000 | Finnpipette F2 Fixed 1ul micro |
| 2211520 | Micro 2. Cap pink, F2 |
| 2211810 | Fixed 2. Cap dark blue, F2 |
| 2213160 | NEW 3. Handle 0,2-2ul Micro F2 |
| 2213330 | NEW 3. Handle 1ul Fixed F2 |
| 1063621 | OLD 4. Tip ejector pusher 0,2-2ul F2 |
| 1064731 | NEW 4. Tip ejector pusher upper part 0,2-2ul F2 |
| 10636206 | OLD 4. Tip ejector pusher 1ul Fixed F2 |
| 10647307 | NEW 4. Tip ejector pusher upper part 1ul Fixed F2 |
| 1063600 | 11. Tip Ejector 10&20 F2 |
| 2211870 | 12. Piston 2ul F-series |
| 10593300 | 18. O-ring tube 2ul |
| 2205730 | 28. Sealing assy 2ul, Digital |
| 2211890 | 42. Tip cone assy 2ul, F2 |
| 4642020 | Finnpipette F2 0.5-5ul micro |
| 4652010 | Finnpipette F2 Fixed 5ul micro |
| 2211520 | Micro 2. Cap pink, F2 |
| 2211810 | Fixed 2. Cap dark blue, F2 |
| 2213170 | NEW 3. Handle 0,5-5ul Micro F2 |
| 2213340 | NEW 3. Handle 5ul Fixed F2 |
| 1063622 | OLD 4. Tip ejector pusher 0,5-5ul F2 |
| 1064732 | NEW 4. Tip ejector pusher upper part 0,5-5ul F2 |
| 10636208 | OLD 4. Tip ejector pusher 5ul Fixed F2 |
| 10647308 | NEW 4. Tip ejector pusher upper part 5ul Fixed F2 |
| 1063600 | 11. Tip Ejector 10&20 F2 |
| 2211880 | 12. Piston 5ul F-series |
| 10593310 | 18. O-ring tube 10ul |
| 1030380 | 19. O-ring 2x1 EPDM 70S |
| 1033160 | 20. O-ring 0,5x1,0 EPDM |
| 10593290 | 21. Sealing Casing |
| 2211900 | 42. Tip cone assy 5ul, F2 |
| 4642030 | Finnpipette F2 1-10ul micro |
| 4642040 | Finnpipette F2 1-10ul |
| 4652020 | Finnpipette F2 Fixed 10ul |
| 2211520 | Micro 2. Cap pink, F2 |
| 2211550 | Univ. 2. Cap yellow, F2 |
| 2211810 | Fixed 2. Cap dark blue, F2 |
| 2213180 | NEW 3. Handle 1-10ul Micro F2 |
| 2213190 | NEW 3. Handle 1-10ul Universal F2 |
| 2213350 | NEW 3. Handle 10ul Fixed F2 |
| 1063623 | OLD 4. Tip ejector pusher 1-10ul micro F2 |
| 1064733 | NEW 4. Tip ejector pusher upper part 1-10ul micro F2 |
| 1063629 | OLD 4. Tip ejector pusher 1-10ul F2 |
| 1064739 | NEW 4. Tip ejector pusher upper part 1-10ul F2 |
| 10636209 | OLD 4. Tip ejector pusher 10ul Fixed F2 |
| 10647309 | NEW 4. Tip ejector pusher upper part 10ul Fixed F2 |
| 1063600 | Micro 11. Tip Ejector 10&20 F2 |
| 1063770 | Univ. 11. Tip Ejector 100&200 F2 |
| 2210300 | 12. Piston 10ul F-series |
| 10593310 | 18. O-ring tube 10ul |
| 1030380 | 19. O-ring 2x1 EPDM 70S |
| 1030060 | 20. O-ring 0,78x1,02 EPDM 70S |
| 10593290 | 21. Sealing Casing |
| 2211510 | 42. Tip cone assy 10ul Micro, F2 |
| 2211540 | 42. Tip cone assy 10ul universal, F2 |

Finnpipette F2

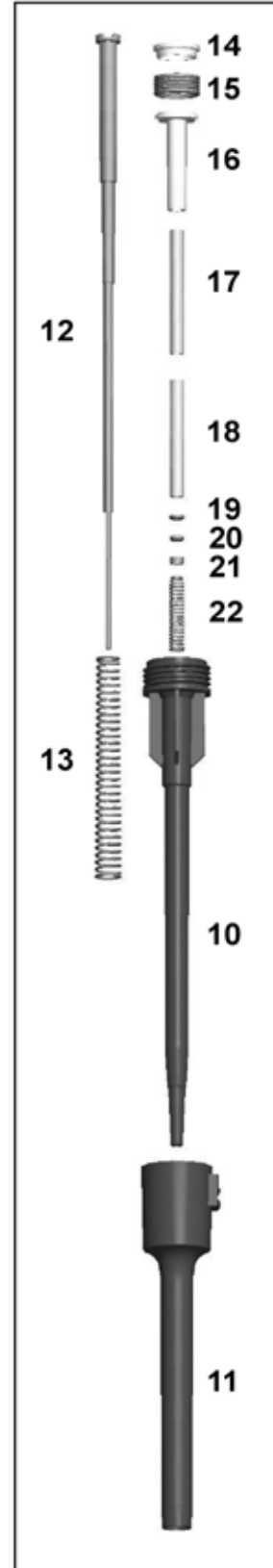


10-100µl
25µl, 50µl, 100µl
Fixed



42. Tip cone assy

2-20µl, 5-50µl
20µl Fixed



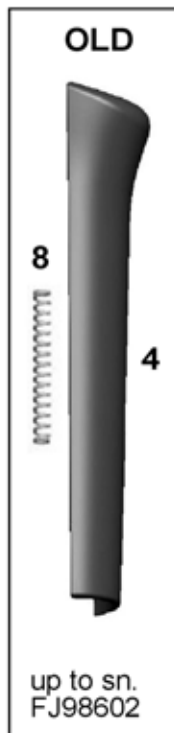
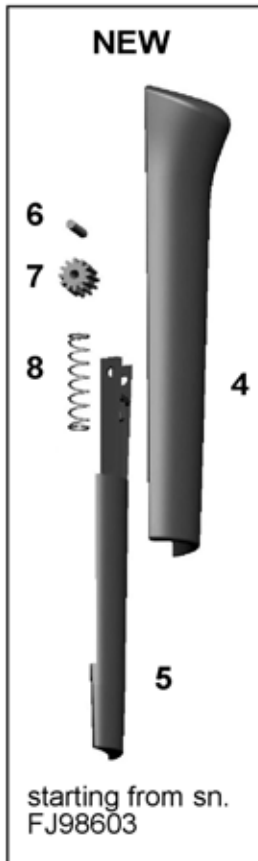
42. Tip cone assy

Finnpipette SCP Spare Parts 1.Jan.2010

Finnpipette F2 and F2 Fixed Volume

| Reference | Part name |
|----------------|--|
| On all models: | |
| 1062800 | 1. Service Tool, F-series |
| 2211810 | Fixed 2. Cap dark blue, F2 |
| 1064740 | NEW 5. Tip ejector pusher lower part F2 |
| 11072100 | 6. Pin 1.9 x 9.6 mm |
| 1063370 | 7. Gear Ejector F-series |
| 1132680 | OLD 8. Ejector Spring 0,5x3,8x32,5 |
| 1132820 | NEW 8. Ejector Spring 0,5x4,5x20 |
| 1132650 | 13. Piston Spring 0,6x6,8x75 |
| 1060630 | 14. Spring base 1000ul Focus |
| 1132640 | 15. O-Ring Spring 0,7x11,8x17 |
| 1061780 | 16. Spring Support 100 F-series |
| 4642050 | Finnpipette F2 2-20ul micro |
| 4642060 | Finnpipette F2 2-20ul |
| 4652130 | Finnpipette F2 Fixed 20ul |
| 2211560 | Micro 2. Cap turquoise, F2 |
| 2211550 | Univ. 2. Cap yellow, F2 |
| 2213200 | NEW 3. Handle 2-20ul Micro F2 |
| 2213210 | NEW 3. Handle 2-20ul Universal F2 |
| 2213110 | NEW 3. Handle 20ul Fixed, F2 |
| 1063624 | OLD 4. Tip ejector pusher 2-20ul micro F2 |
| 1064734 | NEW 4. Tip ejector pusher upper part 2-20ul micro F2 |
| 10636201 | OLD 4. Tip ejector pusher 2-20ul F2 |
| 10647301 | NEW 4. Tip ejector pusher upper part 2-20ul F2 |
| 10636223 | OLD 4. Tip ejector pusher 20ul Fixed F2 |
| 10647322 | NEW 4. Tip ejector pusher upper part 20ul Fixed F2 |
| 1061640 | 10. Tip Cone 10&20 F2 |
| 1063600 | Micro 11. Tip Ejector 10&20 F2 |
| 1063770 | Univ. 11. Tip Ejector 100&200 F2 |
| 2210310 | 12. Piston assy 20ul F-series |
| 10593330 | 17. O-ring tube |
| 10593320 | 18. O-ring tube 20ul |
| 1030380 | 19. O-ring 2x1 EPDM 70S |
| 1033110 | 20. O-ring 1.06x1.27 EPDM 70S |
| 10593360 | 21. Spring Support |
| 1132120 | 22. Spring 0,3x3,4x20 |
| 2211600 | 42. Tip cone assy 20ul Micro, F2 |
| 2211610 | 42. Tip cone assy 20ul universal, F2 |
| 4642120 | Finnpipette F2 5-50ul micro |
| 4642130 | Finnpipette F2 5-50ul |
| 2211560 | Micro 2. Cap turquoise, F2 |
| 2211550 | Univ. 2. Cap yellow, F2 |
| 2213300 | NEW 3. Handle 5-50ul Micro F2 |
| 2213270 | NEW 3. Handle 5-50ul Universal F2 |
| 10636204 | OLD 4. Tip ejector pusher 5-50ul 16ch F2 |
| 10647304 | NEW 4. Tip ejector pusher upper part 5-50ul 16ch F2 |
| 10636207 | OLD 4. Tip ejector pusher 5-50ul F2 |
| 10647306 | NEW 4. Tip ejector pusher upper part 5-50ul F2 |
| 1061640 | Micro 10. Tip Cone 10&20 F2 |
| 1063550 | Univ. 10. Tip Cone 50 F2 |
| 1063600 | Micro 11. Tip Ejector 10&20 F2 |
| 1063770 | Univ. 11. Tip Ejector 100&200 F2 |
| 1064760 | 12. Piston 50 F1/F2/F3 |
| 10593330 | 17. O-ring tube |
| 1064770 | 18. O-ring tube F1/F2/F3 |
| 1030500 | 19. O-ring 2,3x1,0 EPDM 70S |
| 1033060 | 20. O-ring 1,78x1,02 EPDM 70S |
| 10593500 | 21. Spring support 50ul |
| 1132340 | 22. Dash Spring 0,3x3,6x45 |
| 2212990 | 42. Tip cone assy 50ul Micro, F2 |
| 2213010 | 42. Tip cone assy 50ul Universal, F2 |
| 4642070 | Finnpipette F2 10-100ul |
| 4652030 | Finnpipette F2 Fixed 25ul |
| 4652040 | Finnpipette F2 Fixed 50ul |
| 4652050 | Finnpipette F2 Fixed 100ul |
| 2211550 | 2. Cap yellow, F2 |
| 2213220 | NEW 3. Handle 10-100ul F2 |
| 2213360 | NEW 3. Handle 25ul Fixed F2 |
| 2213370 | NEW 3. Handle 50ul Fixed F2 |
| 2213380 | NEW 3. Handle 100ul Fixed F2 |
| 1063625 | OLD 4. Tip ejector pusher 10-100ul F2 |
| 1064735 | NEW 4. Tip ejector pusher upper part 10-100ul F2 |
| 10636211 | OLD 4. Tip ejector pusher 25ul Fixed F2 |
| 10647311 | NEW 4. Tip ejector pusher upper part 25ul Fixed F2 |
| 10636212 | OLD 4. Tip ejector pusher 50ul Fixed F2 |
| 10647312 | NEW 4. Tip ejector pusher upper part 50ul Fixed F2 |
| 10636213 | OLD 4. Tip ejector pusher 100ul Fixed F2 |
| 10647313 | NEW 4. Tip ejector pusher upper part 100ul Fixed F2 |
| 1061630 | 10. Tip cone 100&200 F3 |
| 1063770 | 11. Tip Ejector 100&200 F2 |
| 1061690 | 12. Piston 100 F1/F2/F3 |
| 1030510 | 17. O-ring 2,6x1,3 EPDM 70S |
| 2211620 | 42. Tip cone assy 100ul, F2 |

Finnpipette F2



100-1000µl

250, 500, 1000µl
Fixed



42. Tip cone assy

20-200µl

200µl Fixed



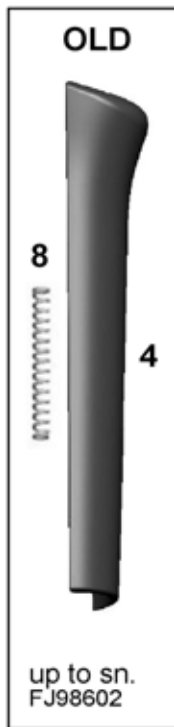
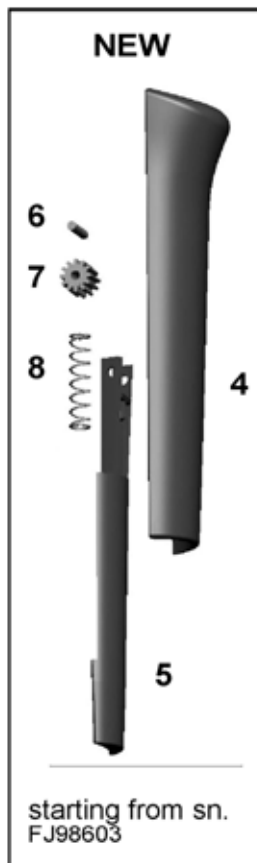
42. Tip cone assy

Finnpipette SCP Spare Parts 1.Jan.2010

Finnpipette F2 and F2 Fixed Volume

| Reference | Part name |
|----------------|--|
| On all models: | |
| 1062800 | 1. Service Tool, F-series |
| 1064740 | NEW 5. Tip ejector pusher lower part F2 |
| 11072100 | 6. Pin 1.9 x 9.6 mm |
| 1063370 | 7. Gear Ejector F-series |
| 1132680 | OLD 8. Ejector Spring 0,5x3,8x32,5 |
| 1132820 | NEW 8. Ejector Spring 0,5x4,5x20 |
| 4642080 | Finnpipette F2 20-200ul |
| 4652140 | Finnpipette F2 Fixed 200ul |
| 2211550 | 2. Cap yellow, F2 |
| 2211810 | Fixed 2. Cap dark blue, F2 |
| 2213230 | NEW 3. Handle 20-200ul F2 |
| 2213120 | NEW 3. Handle 200ul Fixed, F2 |
| 1063626 | OLD 4. Tip ejector pusher 20-200ul F2 |
| 1064736 | NEW 4. Tip ejector pusher upper part 20-200ul F2 |
| 10636224 | OLD 4. Tip ejector pusher 200ul Fixed F2 |
| 10647323 | NEW 4. Tip ejector pusher upper part 200ul Fixed F2 |
| 1061630 | 10. Tip cone 100&200 F3 |
| 1063770 | 11. Tip Ejector 100&200 F2 |
| 1061760 | 12. Piston 200 F-series |
| 1132650 | 13. Piston Spring 0,6x6,8x75 |
| 1060630 | 14. Spring base 1000ul Focus |
| 1132640 | 15. O-Ring Spring 0,7x11,8x17 |
| 1061770 | 16. Spring Support 200 F-series |
| 1030160 | 17. O-ring 3.68x1.78 EPDM 70S |
| 2211630 | 42. Tip cone assy 200ul, F2 |
| 4642090 | Finnpipette F2 100-1000ul |
| 4652060 | Finnpipette F2 Fixed 250ul |
| 4652070 | Finnpipette F2 Fixed 500ul |
| 4652080 | Finnpipette F2 Fixed 1000ul |
| 2211570 | 2. Cap blue, F2 |
| 2211810 | Fixed 2. Cap dark blue, F2 |
| 2213240 | NEW 3. Handle 100-1000ul F2 |
| 2213390 | NEW 3. Handle 250ul Fixed F2 |
| 2213400 | NEW 3. Handle 500ul Fixed F2 |
| 2213410 | NEW 3. Handle 1000ul Fixed F2 |
| 1063627 | OLD 4. Tip ejector pusher 100-1000ul F2 |
| 1064737 | NEW 4. Tip ejector pusher upper part 100-1000ul F2 |
| 10636214 | OLD 4. Tip ejector pusher 250ul Fixed F2 |
| 10647314 | NEW 4. Tip ejector pusher upper part 250ul Fixed F2 |
| 10636215 | OLD 4. Tip ejector pusher 500ul Fixed F2 |
| 10647315 | NEW 4. Tip ejector pusher upper part 500ul Fixed F2 |
| 10636216 | OLD 4. Tip ejector pusher 1000ul Fixed F2 |
| 10647316 | NEW 4. Tip ejector pusher upper part 1000ul Fixed F2 |
| 1061620 | 10. Tip cone 1000 F3 |
| 1063760 | 11. Ejector 1000 F2 |
| 1061680 | 12. Piston 1000ul F-series |
| 1132320 | 13. Piston Spring 0,45x5,2x60 |
| 1060630 | 14. Spring base 1000ul Focus |
| 1132640 | 15. O-Ring Spring 0,7x11,8x17 |
| 1060630 | 16. Spring base 1000ul Focus |
| 1030020 | 17. O-ring 8,73x1,78 EPDM 70S |
| 2211640 | 42. Tip cone assy 1000ul, F2 |

Finnpipette F2



1-10ml
10ml Fixed



42. Tip cone assy

0.5-5ml
2-3-5ml Fixed



42. Tip cone assy

Finnpipette SCP Spare Parts 1.Jan.2010

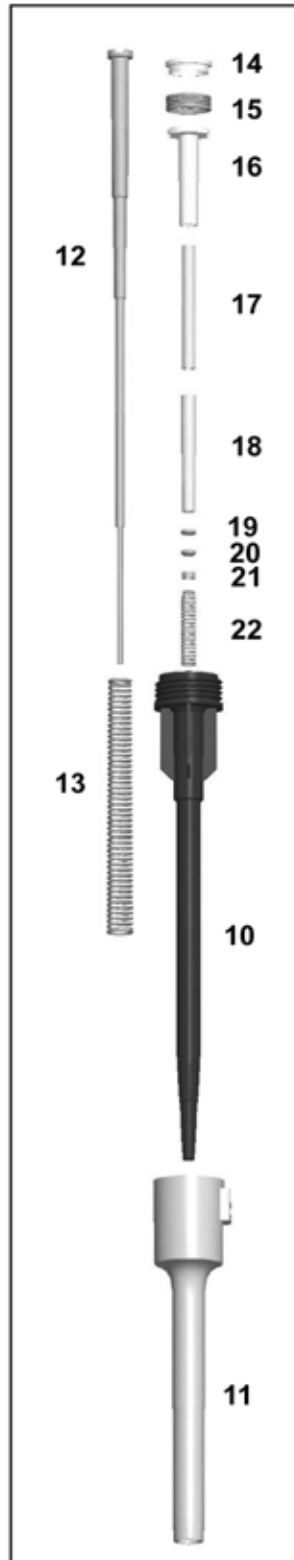
Finnpipette F2 and F2 Fixed Volume

| Reference | Part name |
|----------------|--|
| On all models: | |
| 1062800 | 1. Service Tool, F-series |
| 1064740 | NEW 5. Tip ejector pusher lower part F2 |
| 11072100 | 6. Pin 1.9 x 9.6 mm |
| 1063370 | 7. Gear Ejector F-series |
| 1132680 | OLD 8. Ejector Spring 0,5x3,8x32,5 |
| 1132820 | NEW 8. Ejector Spring 0,5x4,5x20 |
| 4642100 | Finnpipette F2 0.5-5ml |
| 4652090 | Finnpipette F2 Fixed 2ml |
| 4652100 | Finnpipette F2 Fixed 3ml |
| 4652110 | Finnpipette F2 Fixed 5ml |
| 2211580 | 2. Cap green, F2 |
| 2211810 | Fixed 2. Cap dark blue, F2 |
| 2213250 | NEW 3. Handle 0,5-5ml F2 |
| 2213420 | NEW 3. Handle 2ml Fixed F2 |
| 2213430 | NEW 3. Handle 3ml Fixed F2 |
| 2213440 | NEW 3. Handle 5ml Fixed F2 |
| 10636203 | OLD 4. Tip ejector pusher 0,5-5ml F2 |
| 10647303 | NEW 4. Tip ejector pusher upper part 0,5-5ml F2 |
| 10636217 | OLD 4. Tip ejector pusher 2ml Fixed F2 |
| 10647317 | NEW 4. Tip ejector pusher upper part 2ml Fixed F2 |
| 10636218 | OLD 4. Tip ejector pusher 3ml Fixed F2 |
| 10647318 | NEW 4. Tip ejector pusher upper part 3ml Fixed F2 |
| 10636219 | OLD 4. Tip ejector pusher 5ml Fixed F2 |
| 10647319 | NEW 4. Tip ejector pusher upper part 5ml Fixed F2 |
| 1063800 | 10. Tip ejector top 5ml F2 |
| 1064310 | 10. Tip Ejector Top Fixed 5ml F2 |
| 2211650 | 11. Piston assy 0,5-5ml F2 |
| 1030230 | 12. O-ring 16x2,0 EPDM 70S |
| 1063820 | 13. Cylinder 5ml F2 |
| 1063810 | 14. Tip ejector bottom 5ml F2 |
| 2211660 | 42. Tip cone assy 5ml, F2 |
| 2211910 | 42. Tip cone assy 2-5ml Fixed, F2 |
| 4642110 | Finnpipette F2 1-10ml |
| 4652120 | Finnpipette F2 Fixed 10ml |
| 2211590 | 2. Cap red, F2 |
| 2211810 | Fixed 2. Cap dark blue, F2 |
| 2213260 | NEW 3. Handle 1-10ml F2 |
| 2213450 | NEW 3. Handle 10ml Fixed F2 |
| 1063628 | OLD 4. Tip ejector pusher 1-10ml F2 |
| 1064738 | NEW 4. Tip ejector pusher upper part 1-10ml F2 |
| 10636221 | OLD 4. Tip ejector pusher 10ml Fixed F2 |
| 10647321 | NEW 4. Tip ejector pusher upper part 10ml Fixed F2 |
| 1063830 | 10. Tip ejector top 10ml F2 |
| 1064320 | 10. Tip ejector top Fixed 10ml F2 |
| 2210320 | 11. Piston assy 1-10ml F3 |
| 1033050 | 12. O-ring 23,47x2,62 EPDM 70S |
| 1061960 | 13. Cylinder 10ml F3 |
| 1063840 | 14. Tip ejector bottom 10ml F2 |
| 2211670 | 42. Tip cone assy 10ml, F2 |
| 2211920 | 42. Tip cone assy 6-10ml Fixed, F2 |

Finnpipette F3



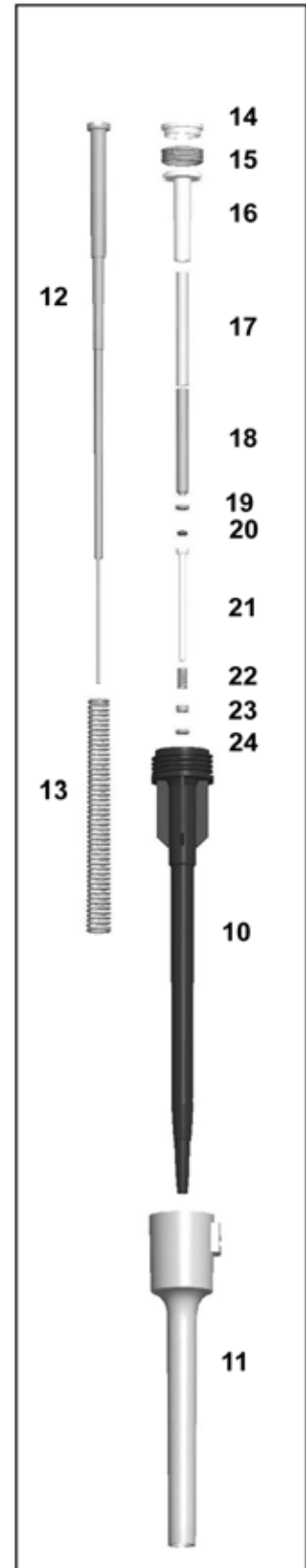
2-20µl, 5-50µl



42. Tip cone assy

1-10µl

1, 5, 10µl Fixed



42. Tip cone assy

Finnpipette SCP Spare Parts 1.Jan.2010

Finnpipette F3 and F3 Fixed Volume

| Reference | Part name |
|----------------|---------------------------------------|
| On all models: | |
| 1062800 | 1. Service Tool, F-series |
| 2210670 | Fixed 2. Cap dark blue, F3 |
| 1132680 | 8. Ejector Spring 0,5x3,8x32,5 |
| 1132650 | 13. Piston Spring 0,6x6,8x75 |
| 1060630 | 14. Spring base 1000ul Focus |
| 1132640 | 15. O-Ring Spring 0,7x11,8x17 |
| 1061780 | 16. Spring Support 100 F-series |
| 10593330 | 17. O-ring tube |
| 4640000 | Finnpipette F3 1-10ul micro |
| 4640010 | Finnpipette F3 1-10ul |
| 4650000 | Finnpipette F3 Fixed 1ul micro |
| 4650010 | Finnpipette F3 Fixed 5ul micro |
| 4650020 | Finnpipette F3 Fixed 10ul |
| 2210490 | Micro 2. Cap pink, F3 |
| 2210460 | Univ. 2. Cap yellow, F3 |
| 2210430 | 3. Handle 1-10ul Micro, F3 |
| 2210100 | 3. Handle 1-10ul universal, F3 |
| 2210450 | 3. Handle 1ul Fixed, F3 |
| 2210160 | 3. Handle 5ul Fixed, F3 |
| 2210170 | 3. Handle 10ul Fixed, F3 |
| 1061471 | 4. Tip ejector pusher 1-10ul micro F3 |
| 1061477 | 4. Tip ejector pusher 1-10ul F3 |
| 1061479 | 4. Tip ejector pusher 1ul Fixed F3 |
| 10614701 | 4. Tip ejector pusher 5ul Fixed F3 |
| 10614702 | 4. Tip ejector pusher 10ul Fixed F3 |
| 1061640 | 10. Tip Cone 10&20 F2 |
| 1061670 | Micro 11. Tip Ejector 10&20 F3 |
| 1061660 | Univ. 11. Tip Ejector 100&200 F3 |
| 2210300 | 12. Piston 10ul F-series |
| 10593310 | 18. O-ring tube 10ul |
| 1030380 | 19. O-ring 2x1 EPDM 70S |
| 1030060 | 20. O-ring 0,78x1,02 EPDM 70S |
| 10593290 | 21. Sealing Casing |
| 1131800 | 22. Dash Spring 0,3x2,7x12 |
| 10593360 | 23. Spring Support |
| 1030170 | 24. O-ring 1,6x1,0 EPDM 70S |
| 2210380 | 42. Tip cone assy 10ul Micro, F3 |
| 2210240 | 42. Tip cone assy 10ul universal, F3 |
| 4640020 | Finnpipette F3 2-20ul micro |
| 4640030 | Finnpipette F3 2-20ul |
| 2210500 | Micro 2. Cap turquoise, F3 |
| 2210460 | Univ. 2. Cap yellow, F3 |
| 2210440 | 3. Handle 2-20ul Micro, F3 |
| 2210110 | 3. Handle 2-20ul universal, F3 |
| 1061472 | 4. Tip ejector pusher 2-20ul micro F3 |
| 1061478 | 4. Tip ejector pusher 2-20ul F3 |
| 1061640 | 10. Tip Cone 10&20 F2 |
| 1061670 | Micro 11. Tip Ejector 10&20 F3 |
| 1061660 | Univ. 11. Tip Ejector 100&200 F3 |
| 2210310 | 12. Piston assy 20ul F-series |
| 10593320 | 18. O-ring tube 20ul |
| 1030380 | 19. O-ring 2x1 EPDM 70S |
| 1033110 | 20. O-ring 1.06x1.27 EPDM 70S |
| 10593360 | 21. Spring Support |
| 1132120 | 22. Spring 0,3x3,4x20 |
| 2210390 | 42. Tip cone assy 20ul Micro, F3 |
| 2210250 | 42. Tip cone assy 20ul universal, F3 |
| 4640080 | Finnpipette F3 5-50ul micro |
| 4640090 | Finnpipette F3 5-50ul |
| 2210500 | Micro 2. Cap turquoise, F3 |
| 2210460 | Univ. 2. Cap yellow, F3 |
| 2212940 | 3. Handle 5-50ul Micro, F3 |
| 2212960 | 3. Handle 5-50ul, F3 |
| 10614744 | 4. Tip ejector pusher 5-50ul micro F3 |
| 10614742 | 4. Tip ejector pusher 5-50ul F3 |
| 1061640 | Micro 10. Tip Cone 10&20 F2 |
| 1063550 | Univ. 10. Tip Cone 50 F2 |
| 1061670 | Micro 11. Tip Ejector 10&20 F3 |
| 1061660 | Univ. 11. Tip Ejector 100&200 F3 |
| 1064760 | 12. Piston 50 F1/F2/F3 |
| 1064770 | 18. O-ring tube F1/F2/F3 |
| 1030500 | 19. O-ring 2,3x1,0 EPDM 70S |
| 1033060 | 20. O-ring 1,78x1,02 EPDM 70S |
| 10593500 | 21. Spring support 50ul |
| 1132340 | 22. Dash Spring 0,3x3,6x45 |
| 2212950 | 42. Tip cone assy 50ul Micro, F3 |
| 2212970 | 42. Tip cone assy 50ul Universal, F3 |

Finnpipette F3



1-10ml



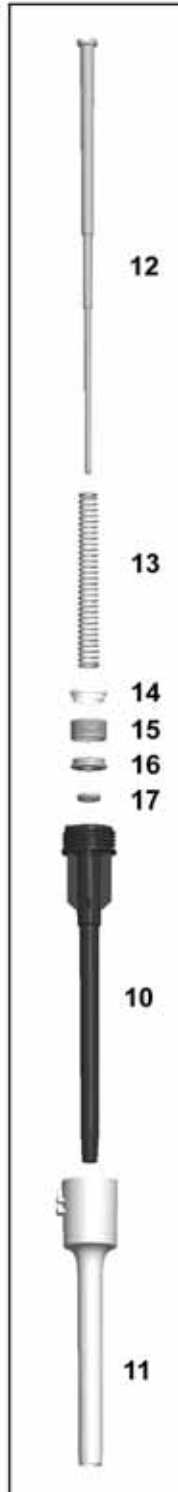
42. Tip cone assy

100-1000µl
 250, 500, 1000µl
 Fixed

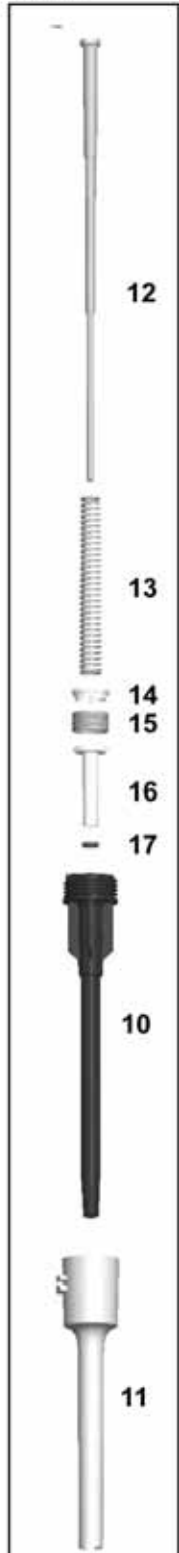


42. Tip cone assy

20-200µl



10-100µl
 25, 50, 100µl
 Fixed



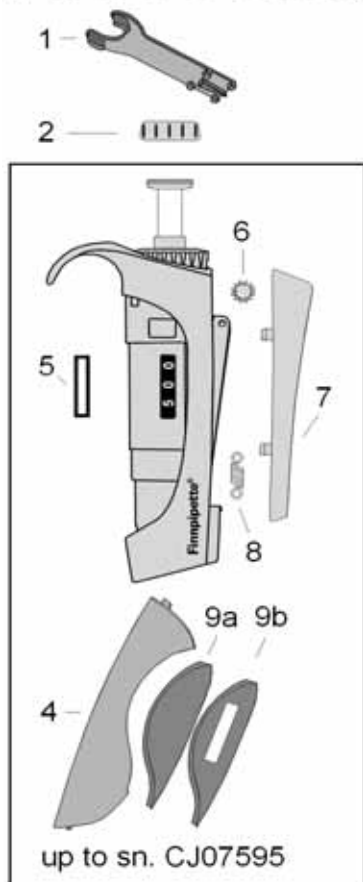
42. Tip cone assy

Finnpipette SCP Spare Parts 1.Jan.2010

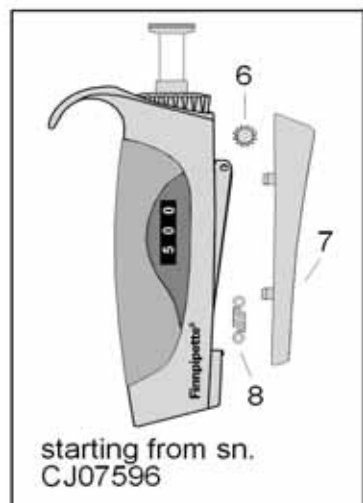
Finnpipette F3 and F3 Fixed Volume

| Reference | Part name |
|----------------|---------------------------------------|
| On all models: | |
| 1062800 | 1. Service Tool, F-series |
| 2210670 | Fixed 2. Cap dark blue, F3 |
| 1132680 | 8. Ejector Spring 0,5x3,8x32,5 |
| 4640040 | Finnpipette F3 10-100ul |
| 4650030 | Finnpipette F3 Fixed 25ul |
| 4650040 | Finnpipette F3 Fixed 50ul |
| 4650050 | Finnpipette F3 Fixed 100ul |
| 2210460 | 2. Cap yellow, F3 |
| 2210120 | 3. Handle 10-100ul, F3 |
| 2210180 | 3. Handle 25ul Fixed, F3 |
| 2210190 | 3. Handle 50ul Fixed, F3 |
| 2210200 | 3. Handle 100ul Fixed, F3 |
| 1061473 | 4. Tip ejector pusher 10-100ul F3 |
| 10614703 | 4. Tip ejector pusher 25ul Fixed F3 |
| 10614704 | 4. Tip ejector pusher 50ul Fixed F3 |
| 10614705 | 4. Tip ejector pusher 100ul Fixed F3 |
| 1061630 | 10. Tip cone 100&200 F3 |
| 1061660 | 11. Tip Ejector 100&200 F3 |
| 1061690 | 12. Piston 100 F1/F2/F3 |
| 1132650 | 13. Piston Spring 0,6x6,8x75 |
| 1060630 | 14. Spring base 1000ul Focus |
| 1132640 | 15. O-Ring Spring 0,7x11,8x17 |
| 1061780 | 16. Spring Support 100 F-series |
| 1030510 | 17. O-ring 2,6x1,3 EPDM 70S |
| 2210260 | 42. Tip cone assy 100ul, F3 |
| 4640050 | Finnpipette F3 20-200ul |
| 2210460 | 2. Cap yellow, F3 |
| 2210130 | 3. Handle 20-200ul, F3 |
| 1061474 | 4. Tip ejector pusher 20-200ul F3 |
| 1061630 | 10. Tip cone 100&200 F3 |
| 1061660 | 11. Tip Ejector 100&200 F3 |
| 1061760 | 12. Piston 200 F-series |
| 1132650 | 13. Piston Spring 0,6x6,8x75 |
| 1060630 | 14. Spring base 1000ul Focus |
| 1132640 | 15. O-Ring Spring 0,7x11,8x17 |
| 1061770 | 16. Spring Support 200 F-series |
| 1030160 | 17. O-ring 3.68x1.78 EPDM 70S |
| 2210270 | 42. Tip cone assy 200ul, F3 |
| 4640060 | Finnpipette F3 100-1000ul |
| 4650060 | Finnpipette F3 Fixed 250ul |
| 4650070 | Finnpipette F3 Fixed 500ul |
| 4650080 | Finnpipette F3 Fixed 1000ul |
| 2210470 | 2. Cap blue, F3 |
| 2210140 | 3. Handle 100-1000ul, F3 |
| 2210210 | 3. Handle 250ul Fixed, F3 |
| 2210220 | 3. Handle 500ul Fixed, F3 |
| 2210230 | 3. Handle 1000ul Fixed, F3 |
| 1061475 | 4. Tip ejector pusher 100-1000ul F3 |
| 10614706 | 4. Tip ejector pusher 250ul Fixed F3 |
| 10614707 | 4. Tip ejector pusher 500ul Fixed F3 |
| 10614708 | 4. Tip ejector pusher 1000ul Fixed F3 |
| 1061620 | 10. Tip cone 1000 F3 |
| 1061650 | 11. Tip Ejector 1000 F3 |
| 1061680 | 12. Piston 1000ul F-series |
| 1132320 | 13. Piston Spring 0,45x5,2x60 |
| 1060630 | 14. Spring base 1000ul Focus |
| 1132640 | 15. O-Ring Spring 0,7x11,8x17 |
| 1060630 | 16. Spring base 1000ul Focus |
| 1030020 | 17. O-ring 8,73x1,78 EPDM 70S |
| 2210280 | 42. Tip cone assy 1000ul, F3 |
| 4640070 | Finnpipette F3 1-10ml |
| 2210480 | 2. Cap red, F3 |
| 2210150 | 3. Handle 1-10ml, F3 |
| 1061476 | 4. Tip ejector pusher 1-10ml F3 |
| 1061800 | 10. Tip ejector top 10ml F3 |
| 2210320 | 11. Piston assy 1-10ml F3 |
| 1033050 | 12. O-ring 23,47x2,62 EPDM 70S |
| 1061960 | 13. Cylinder 10ml F3 |
| 1061810 | 14. Tip ejector bottom 10ml F3 |
| 2210290 | 42. Tip cone assy 10ml, F3 |

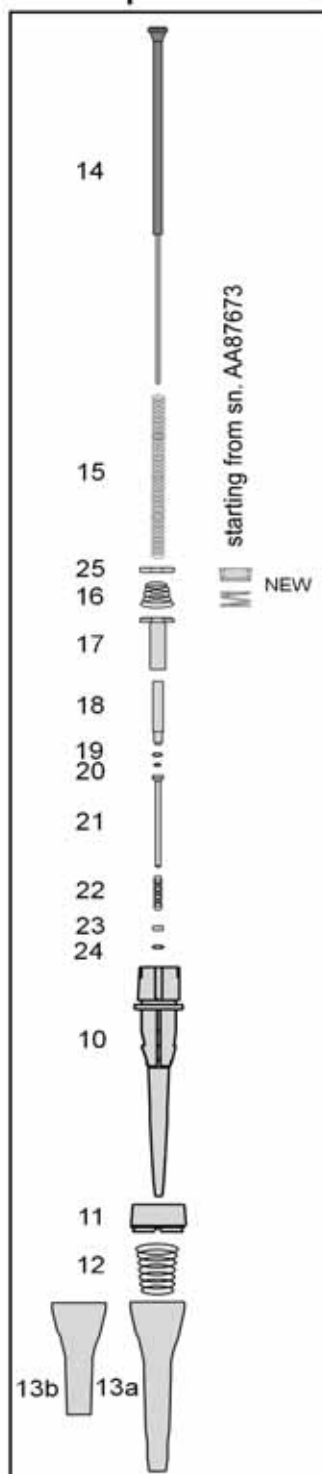
Finnpipette FOCUS Short



3. Handle

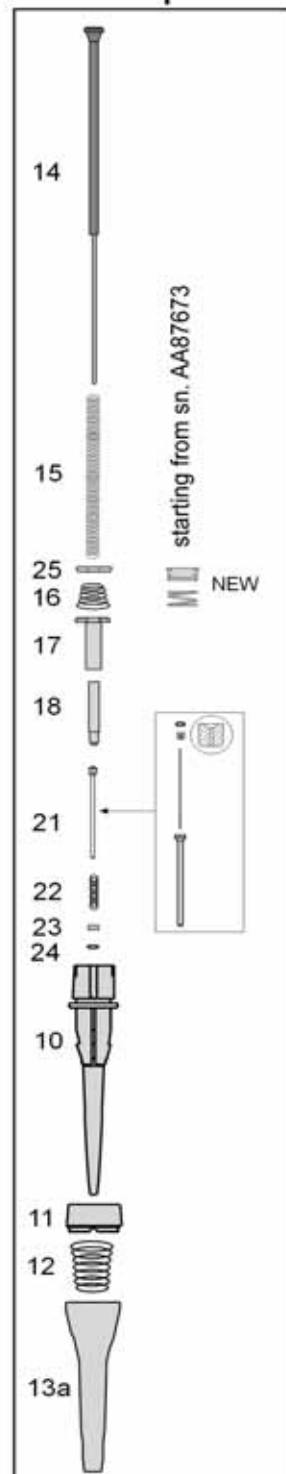


0.5-5 μ l
1-10 μ l



Tip cone assy

0.3-3 μ l

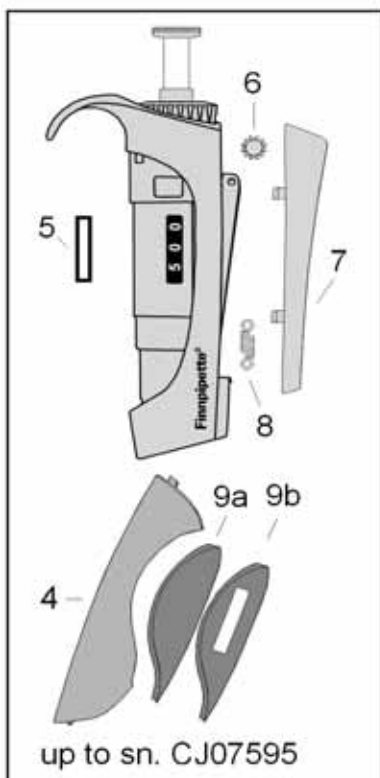


Finnpipette SCP Spare Parts 1.Jan.2010

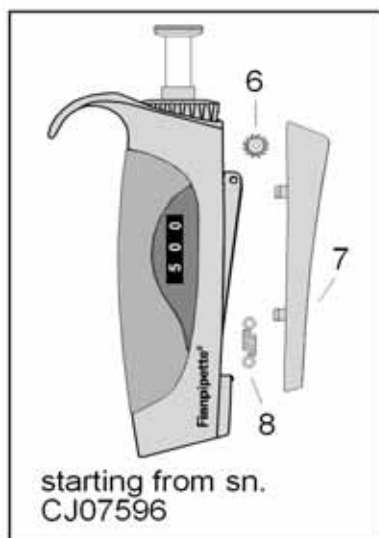
Finnpipette FOCUS Short

| Reference | Part name |
|---|--|
| On all models: (0,3-3µl, 0,5-5µl, 1-10µl, 1-10µl Micro) | |
| 10593480 | 1. Service Tool Digital |
| 1060430 | 4. Snap-on handle piece, medium, turquoise |
| 1060840 | 5. Window frame Focus |
| 1060400 | 6. Cogwheel Focus |
| 1132360 | 8. Tip ejector pusher spring 0,4x4x15 |
| 1061080 | 9a. Solid window left Focus |
| 1060423 | 9b. Display window 3ul, 5ul, 10ul, 5ml, 10ml Focus |
| 1060560 | 10. Tip cone 10ul Focus short |
| 1060640 | 11. Tip ejector SCP upper part Focus |
| 1132180 | 12. Tip ejector spring 0,75x15,4x25 |
| 1132330 | 15. Piston Spring 0,4x4,2x110 |
| 1132190 | 16. Cover spring 0,7x11,8x12 |
| 1132620 | NEW 16. Cover spring 0,7x11,7x6,5 |
| 1060600 | 17. Spring base 10/50ul Focus |
| 1060740 | 18. O-ring tube 10ul Focus |
| 1131800 | 22. Dash Spring 0,3x2,7x12 |
| 10593360 | 23. Spring Support |
| 1030170 | 24. O-ring 1,6x1,0 EPDM 70S |
| 4600100 | Finnpipette FOCUS Short 0.3-3ul micro |
| 1060210 | 2. Cap, pink Focus |
| 2208290 | 3. Handle 0.3.3ul, Focus short |
| 2208180 | Tip cone assy 3ul, Focus short |
| 10603901 | 7. Tip ejector pusher 0.3-3ul Focus |
| 1060650 | 13a. Tip ejector 10ul Focus short |
| 2208310 | 14. Piston assy 0.3-3ul, Focus short |
| 2208460 | 21. Sealing assy 0.3-3ul, Focus |
| 1060930 | 25. Cover orange 3ul |
| 1061370 | NEW 25. Cover new natural 3ul |
| 4600110 | Finnpipette FOCUS Short 0.5-5ul micro |
| 1060210 | 2. Cap, pink Focus |
| 2208280 | 3. Handle 0.5-5ul, Focus short |
| 2208190 | Tip cone assy 5ul, Focus short |
| 1060399 | 7. Tip ejector pusher 0.5-5ul Focus |
| 1060650 | 13a. Tip ejector 10ul Focus short |
| 2208320 | 14. Piston assy 0.5-5ul, Focus short |
| 1030380 | 19. O-ring 2x1 EPDM 70S |
| 1033160 | 20. O-ring 0,5x1,0 EPDM |
| 10593290 | 21. Sealing Casing |
| 1060920 | 25. Cover lila 5ul |
| 1061380 | NEW 25. Cover new lila 5ul |
| 4600010 | Finnpipette FOCUS Short 1-10ul |
| 4600080 | Finnpipette FOCUS Short 1-10ul micro |
| 1060170 | Univ. 2. Cap, yellow Focus |
| 1060210 | Micro 2. Cap, pink Focus |
| 2208270 | 3. Handle 1-10ul, Focus short |
| 2208030 | Tip cone assy 10ul, Focus short |
| 2208100 | Tip cone assy 10ul Micro, Focus short |
| 1060398 | 7. Tip ejector pusher 1-10ul Focus |
| 1060660 | Univ. 13b. Tip ejector 100ul Focus short |
| 1060650 | Micro 13a. Tip ejector 10ul Focus short |
| 2208120 | 14. Piston assy 10ul, Focus short |
| 1030380 | 19. O-ring 2x1 EPDM 70S |
| 1030060 | 20. O-ring 0,78x1,02 EPDM 70S |
| 10593290 | 21. Sealing Casing |
| 1060910 | 25. Cover pink 10ul |
| 1061390 | NEW 25. Cover new pink 10ul |

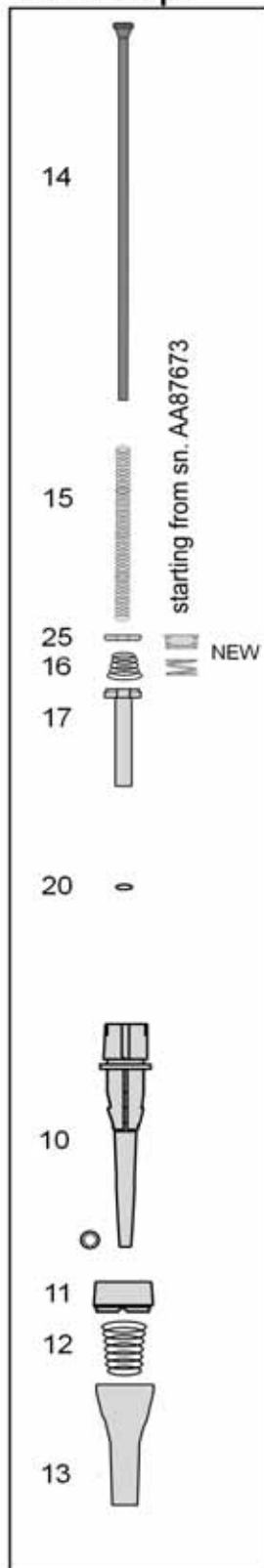
Finnpipette FOCUS Short



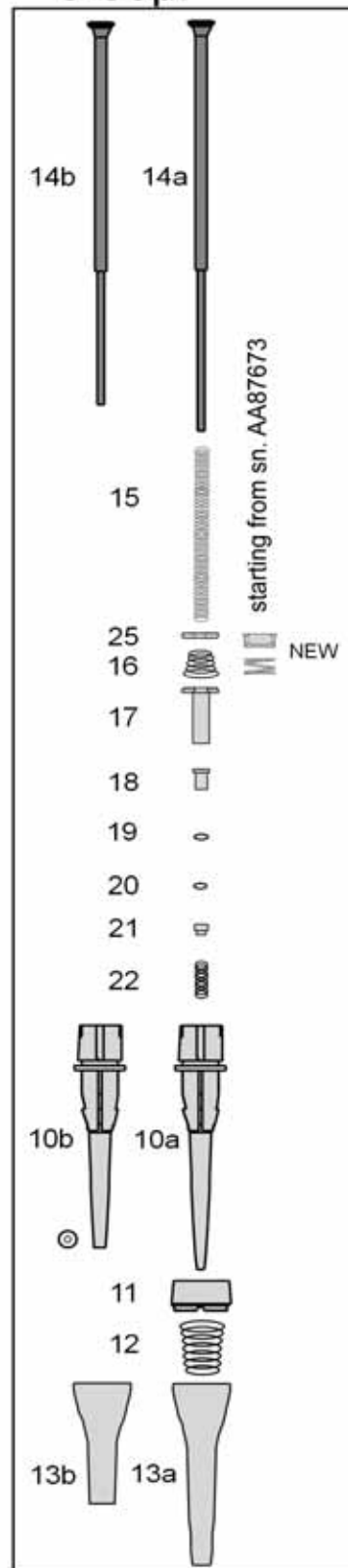
3. Handle



10-100µl



3-30µl 5-50µl



Tip cone assy

Finnpipette SCP Spare Parts 1.Jan.2010

Finnpipette FOCUS Short

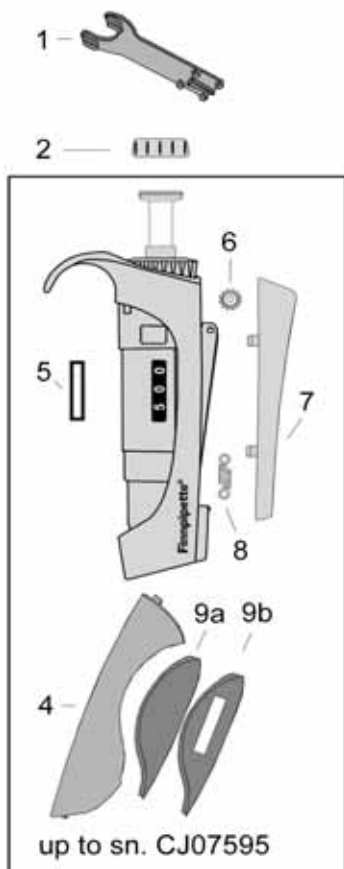
| Reference | Part name |
|---|--|
| On all models: (3-30µl, 3-30µl Micro, 5-50µl, 5-50µl Micro, 10-100µl) | |
| 10593480 | 1. Service Tool Digital |
| 1060430 | 4. Snap-on handle piece, medium, turquoise |
| 1060840 | 5. Window frame Focus |
| 1060400 | 6. Cogwheel Focus |
| 1132360 | 8. Tip ejector pusher spring 0,4x4x15 |
| 1061080 | 9a. Solid window left Focus |
| 1060422 | 9b. Display window 30ul, 50ul, 100ul Focus |
| 1060640 | 11. Tip ejector SCP upper part Focus |
| 1132180 | 12. Tip ejector spring 0,75x15,4x25 |
| 1132330 | 15. Piston Spring 0,4x4,2x110 |
| 1132190 | 16. Cover spring 0,7x11,8x12 |
| 1132620 | NEW 16. Cover spring 0,7x11,7x6,5 |

| 4600130 | Finnpipette FOCUS Short 3-30ul |
|----------|--|
| 4600120 | Finnpipette FOCUS Short 3-30ul micro |
| 1060170 | Univ. 2. Cap, yellow Focus |
| 1060240 | Micro 2. Cap, turquoise Focus |
| 2208260 | 3. Handle 3-30ul, Focus short |
| 2208450 | Tip cone assy 30ul, Focus short |
| 2208170 | Tip cone assy 30ul Micro, Focus short |
| 1060397 | 7. Tip ejector pusher 3-30ul Focus |
| 1060560 | 10a. Tip cone 10ul Focus short |
| 1060660 | Univ. 13b. Tip ejector 100ul Focus short |
| 1060650 | Micro 13a. Tip ejector 10ul Focus short |
| 2208330 | 14a. Piston assy 3-30ul, Focus short |
| 1060600 | 17. Spring base 10/50ul Focus |
| 1060730 | 18. Support sleeve 50ul Focus short |
| 1033190 | 19. O-ring 1,8x1,2 EPDM |
| 1033110 | 20. O-ring 1.06x1.27 EPDM 70S |
| 10593500 | 21. Spring support 50ul |
| 1132340 | 22. Dash Spring 0,3x3,6x45 |
| 1060900 | 25. Cover grey 30ul |
| 1061400 | NEW 25. Cover new grey 30ul |

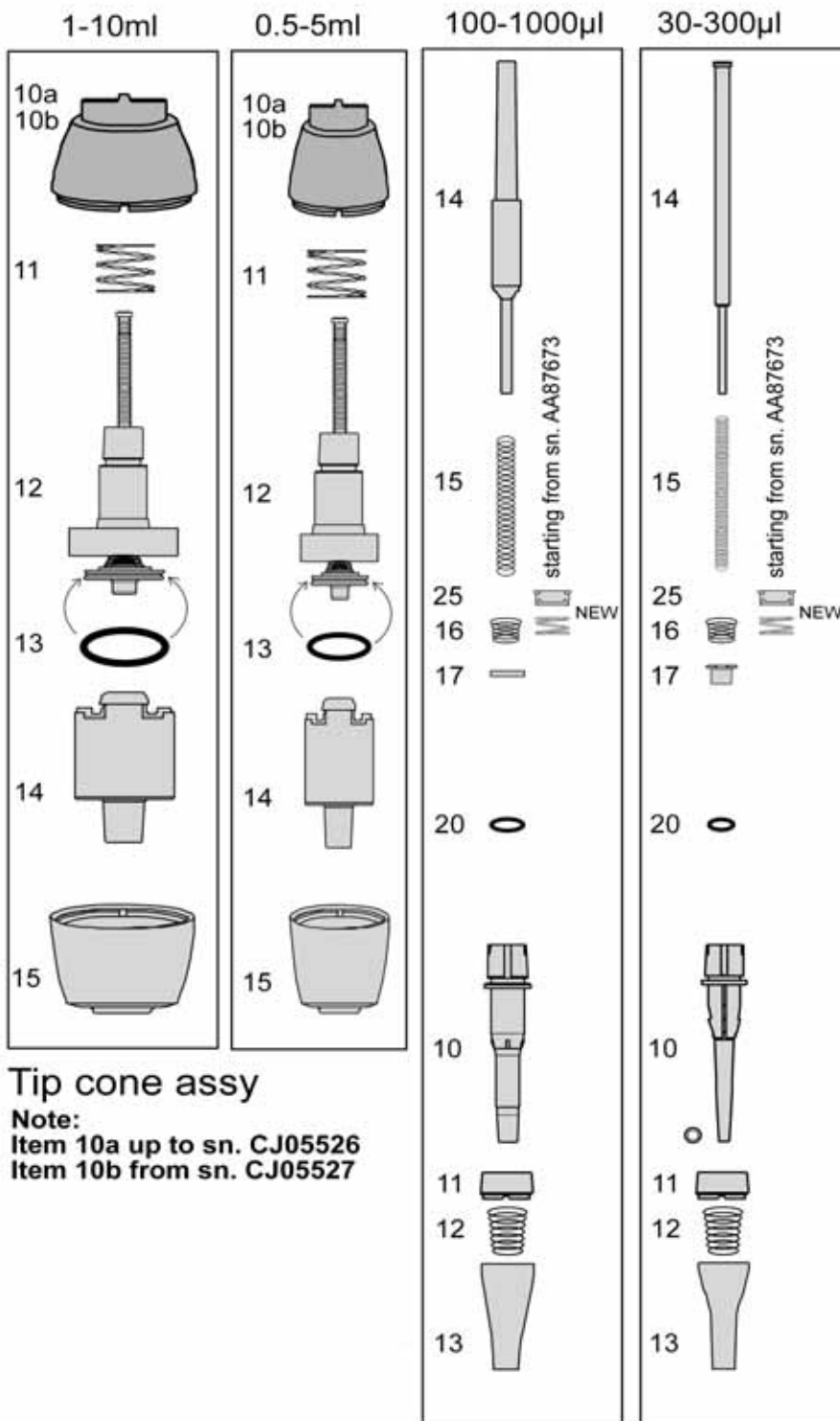
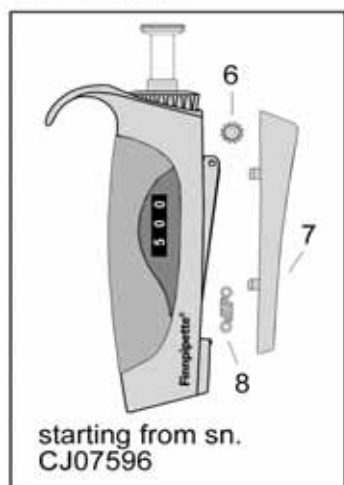
| 4600020 | Finnpipette FOCUS Short 5-50ul |
|----------|--|
| 4600090 | Finnpipette FOCUS Short 5-50ul micro |
| 1060170 | Univ. 2. Cap, yellow Focus |
| 1060240 | Micro 2. Cap, turquoise Focus |
| 2208250 | 3. Handle 5-50ul, Focus short |
| 2208040 | Tip cone assy 50ul, Focus short |
| 2208110 | Tip cone assy 50ul Micro, Focus short |
| 1060396 | 7. Tip ejector pusher 5-50ul Focus |
| 1060570 | Univ. 10b. Tip cone 50ul Focus short |
| 1060560 | Micro 10a. Tip cone 10ul Focus short |
| 1060660 | Univ. 13b. Tip ejector 100ul Focus short |
| 1060650 | Micro 13a. Tip ejector 10ul Focus short |
| 1060690 | Univ. 14b. Piston 50ul Focus |
| 1060720 | Micro 14a. Piston 50ul Micro Focus |
| 1060600 | 17. Spring base 10/50ul Focus |
| 1060730 | 18. Support sleeve 50ul Focus short |
| 1030500 | 19. O-ring 2,3x1,0 EPDM 70S |
| 1033060 | 20. O-ring 1,78x1,02 EPDM 70S |
| 10593500 | 21. Spring support 50ul |
| 1132000 | Univ. 22. Spring 0,3x3,6x20 |
| 1132340 | Micro 22. Dash Spring 0,3x3,6x45 |
| 1060890 | 25. Cover turquoise 50ul |
| 1061410 | NEW 25. Cover new turquoise 50ul |

| 4600030 | Finnpipette FOCUS Short 10-100ul |
|---------|--------------------------------------|
| 1060170 | 2. Cap, yellow Focus |
| 2208240 | 3. Handle 10-100ul, Focus short |
| 2208050 | Tip cone assy 100ul, Focus short |
| 1060395 | 7. Tip ejector pusher 10-100ul Focus |
| 1060580 | 10. Tip cone 100/300ul Focus short |
| 1060660 | 13. Tip ejector 100ul Focus short |
| 1060700 | 14. Piston 100ul Focus |
| 1060610 | 17. Spring base 100ul Focus |
| 1030510 | 20. O-ring 2,6x1,3 EPDM 70S |
| 1060880 | 25. Cover yellow 100ul |
| 1061420 | NEW 25. Cover new yellow 100ul |

Finnpipette FOCUS Short



3. Handle

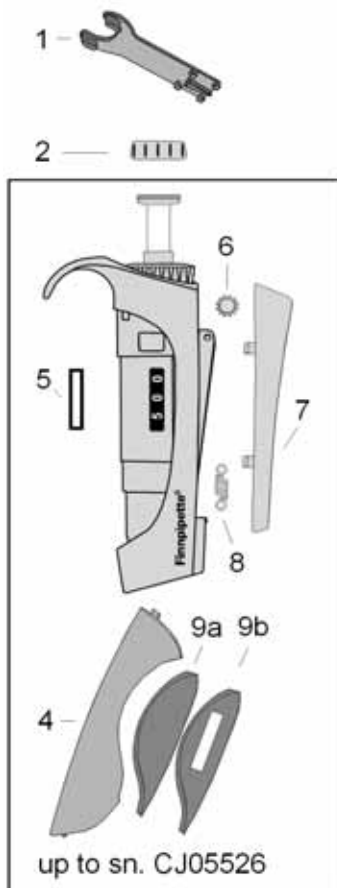


Finnpipette SCP Spare Parts 1.Jan.2010

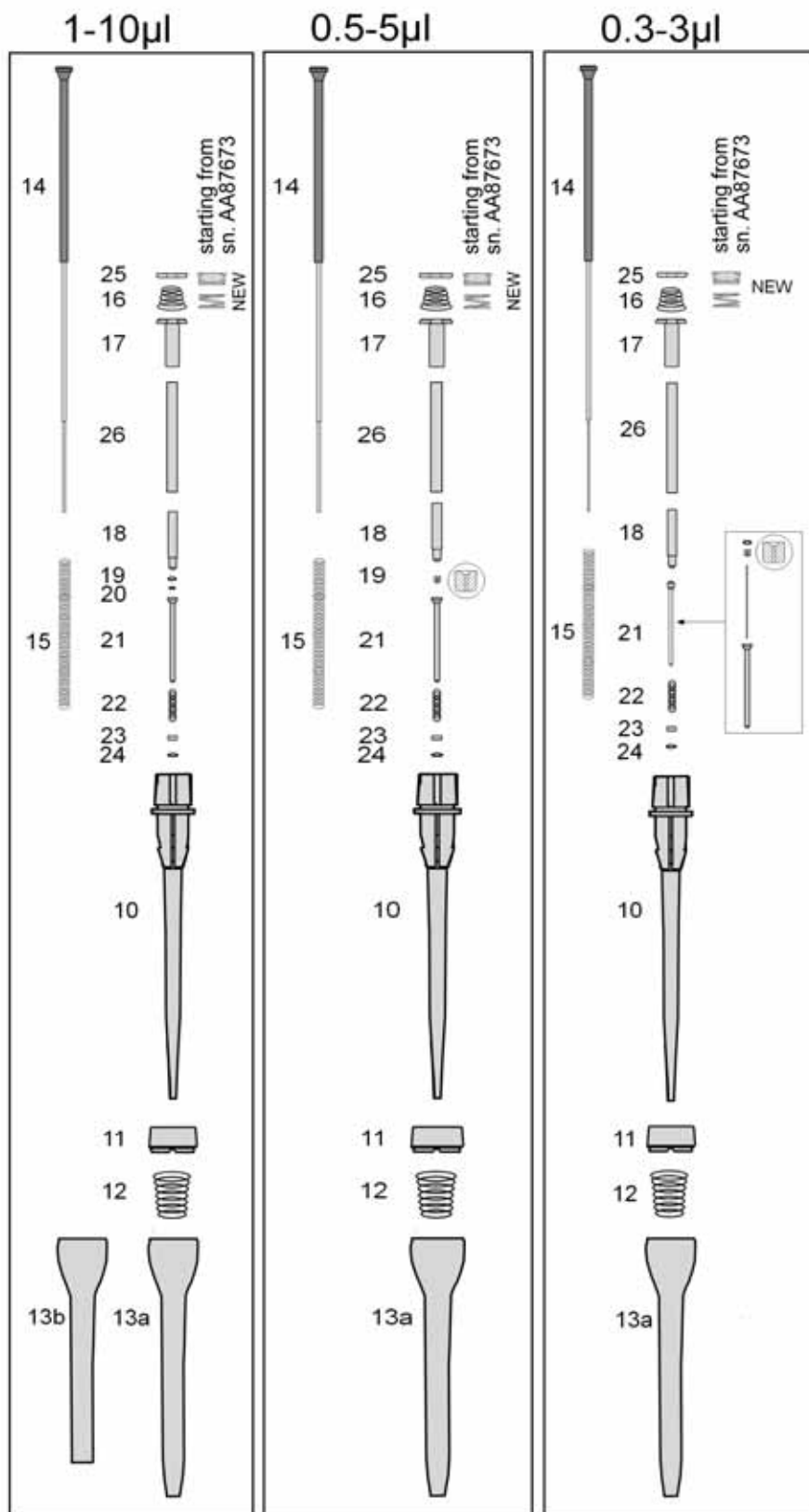
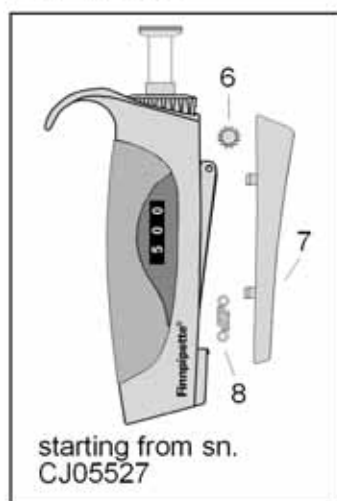
Finnpipette FOCUS Short

| Reference | Part name |
|--|--|
| On all models: (30-300µl, 100-1000µl, 0.5-5ml, 1-10ml) | |
| 10593480 | 1. Service Tool Digital |
| 1060430 | 4. Snap-on handle piece, medium, turquoise |
| 1060840 | 5. Window frame Focus |
| 1060400 | 6. Cogwheel Focus |
| 1132360 | 8. Tip ejector pusher spring 0,4x4x15 |
| 1061080 | 9a. Solid window left Focus |
| 4600040 Finnpipette FOCUS Short 30-300ul | |
| 1060160 | 2. Cap, orange Focus |
| 2208230 | 3. Handle 30-300ul, Focus short |
| 2208060 | Tip cone assy 300ul, Focus short |
| 1060394 | 7. Tip ejector pusher 30-300ul Focus |
| 1060421 | 9b. Display window 300ul, 1000ul Focus |
| 1060580 | 10. Tip cone 100/300ul Focus short |
| 1060640 | 11. Tip ejector SCP upper part Focus |
| 1132180 | 12. Tip ejector spring 0,75x15,4x25 |
| 1060660 | 13. Tip ejector 100ul Focus short |
| 1060750 | 14. Piston 300ul Focus short |
| 1132420 | 15. Piston Spring 0,6x6,5x110 |
| 1132400 | 16. Cover spring 0,7x12,1x17 |
| 1132620 | NEW 16. Cover spring 0,7x11,7x6,5 |
| 1060620 | 17. Spring base 300ul Focus |
| 1033180 | 20. O-ring 4,48x1,78 EPDM |
| 1061430 | NEW 25. Cover new orange 300ul |
| 4600050 Finnpipette FOCUS Short 100-1000ul | |
| 1060180 | 2. Cap, blue Focus |
| 2208220 | 3. Handle 100-1000ul, Focus short |
| 2208070 | Tip cone assy 1000ul, Focus short |
| 1060393 | 7. Tip ejector pusher 100-1000ul Focus |
| 1060421 | 9b. Display window 300ul, 1000ul Focus |
| 1060590 | 10. Tip cone 1000ul Focus short |
| 1060640 | 11. Tip ejector SCP upper part Focus |
| 1132180 | 12. Tip ejector spring 0,75x15,4x25 |
| 1060670 | 13. Tip ejector 1000ul Focus short |
| 1060710 | 14. Piston 1000ul Focus |
| 1132320 | 15. Piston Spring 0,45x5,2x60 |
| 1132400 | 16. Cover spring 0,7x12,1x17 |
| 1132620 | NEW 16. Cover spring 0,7x11,7x6,5 |
| 1060630 | 17. Spring base 1000ul Focus |
| 1030020 | 20. O-ring 8,73x1,78 EPDM 70S |
| 1061350 | NEW 25. Cover new blue 1000ul |
| 4600060 Finnpipette FOCUS Short 0.5-5ml | |
| 1060190 | 2. Cap, green Focus |
| 2208210 | 3. Handle 0.5-5ml, Focus |
| 2208080 | Tip cone assy 5ml, Focus |
| 1060392 | 7. Tip ejector pusher 0.5-5ml Focus |
| 1060423 | 9b. Display window 3ul, 5ul, 10ul, 5ml, 10ml Focus |
| 1060800 | 10a. Tip ejector upper part 5ml Focus |
| 1062830 | 10b. Tip ejector upper part baby blue 5ml Focus |
| 1132390 | 11. Tip ejector spring 0,8x18,5x26 |
| 2208020 | 12. Piston assy 5ml, Focus |
| 1030230 | 13. O-ring 16x2,0 EPDM 70S |
| 1060790 | 14. Cylinder 5ml Focus |
| 1060810 | 15. Tip ejector lower part 5ml Focus |
| 4600070 Finnpipette FOCUS Short 1-10ml | |
| 1060200 | 2. Cap, red Focus |
| 2208200 | 3. Handle 1-10ml, Focus |
| 2208090 | Tip cone assy 10ml, Focus |
| 1060391 | 7. Tip ejector pusher 1-10ml Focus |
| 1060423 | 9b. Display window 3ul, 5ul, 10ul, 5ml, 10ml Focus |
| 1060520 | 10a. Tip ejector upper part 10ml Focus |
| 1062840 | 10b. Tip ejector upper part baby blue 10ml Focus |
| 1132390 | 11. Tip ejector spring 0,8x18,5x26 |
| 2208160 | 12. Piston assy 10ml, Focus |
| 1033050 | 13. O-ring 23,47x2,62 EPDM 70S |
| 1060510 | 14. Cylinder 10ml Focus |
| 1060530 | 15. Tip ejector lower part 10ml Focus |

Finnpipette FOCUS STD



3. Handle

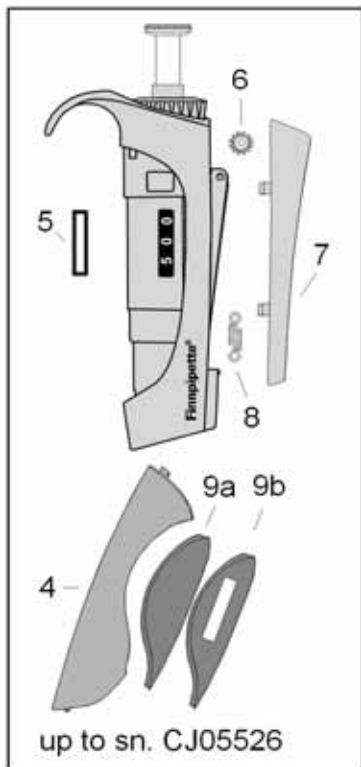


Tip cone assy

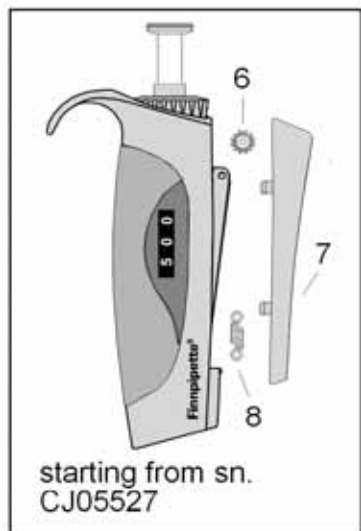
Finnpipette FOCUS STD

| Reference | Part name |
|---|--|
| On all models: (0,3-3µl, 0,5-5µl, 1-10µl, 1-10µl Micro) | |
| 10593480 | 1. Service Tool Digital |
| 1060340 | 4. Snap-on handle piece, medium, blue |
| 1060840 | 5. Window frame Focus |
| 1060400 | 6. Cogwheel Focus |
| 1132360 | 8. Tip ejector pusher spring 0,4x4x15 |
| 1061080 | 9a. Solid window left Focus |
| 1060423 | 9b. Display window 3ul, 5ul, 10ul, 5ml, 10ml Focus |
| 1062000 | 10. Tip cone 10ul STD |
| 1060640 | 11. Tip ejector SCP upper part Focus |
| 1132180 | 12. Tip ejector spring 0,75x15,4x25 |
| 1132330 | 15. Piston Spring 0,4x4,2x110 |
| 1132190 | 16. Cover spring 0,7x11,8x12 |
| 1132620 | NEW 16. Cover spring 0,7x11,7x6,5 |
| 1060600 | 17. Spring base 10/50ul Focus |
| 1060740 | 18. O-ring tube 10ul Focus |
| 1131800 | 22. Dash Spring 0,3x2,7x12 |
| 10593360 | 23. Spring Support |
| 1030170 | 24. O-ring 1,6x1,0 EPDM 70S |
| | |
| 4600150 | Finnpipette FOCUS STD 0.3-3ul micro |
| 1060210 | 2. Cap, pink Focus |
| 2209210 | 3. Handle 0.3-3ul, Focus STD |
| 2209050 | Tip cone assy 0.3-3ul, Focus STD |
| 10603901 | 7. Tip ejector pusher 0.3-3ul Focus |
| 1062040 | 13a. Tip ejector 10ul STD |
| 2208890 | 14. Piston assy 0.3-3ul, Focus STD |
| 2208460 | 21. Sealing assy 0.3-3ul, Focus |
| 1060930 | 25. Cover orange 3ul |
| 1061370 | NEW 25. Cover new natural 3ul |
| 1060040 | 26. Tube |
| | |
| 4600160 | Finnpipette FOCUS STD 0.5-5ul micro |
| 1060210 | 2. Cap, pink Focus |
| 2209200 | 3. Handle 0.5-5ul, Focus STD |
| 2209040 | Tip cone assy 0.5-5ul, Focus STD |
| 1060399 | 7. Tip ejector pusher 0.5-5ul Focus |
| 1062040 | 13a. Tip ejector 10ul STD |
| 2208900 | 14. Piston assy 0.5-5ul, Focus STD |
| 1030570 | 19. Sealing 2x2mm |
| 10593290 | 21. Sealing Casing |
| 1060920 | 25. Cover lila 5ul |
| 1061380 | NEW 25. Cover new lila 5ul |
| 1060040 | 26. Tube |
| | |
| 4600180 | Finnpipette FOCUS STD 1-10ul |
| 4600170 | Finnpipette FOCUS STD 1-10ul micro |
| 1060170 | Univ. 2. Cap, yellow Focus |
| 1060210 | Micro 2. Cap, pink Focus |
| 2209190 | 3. Handle 1-10ul, Focus STD |
| 2209020 | Tip cone assy 1-10ul, Focus STD |
| 2209030 | Tip cone assy 1-10ul Micro, Focus STD |
| 1060398 | 7. Tip ejector pusher 1-10ul Focus |
| 1062050 | Univ. 13b. Tip ejector 100ul STD |
| 1062040 | Micro 13a. Tip ejector 10ul STD |
| 2208910 | 14. Piston assy 1-10ul, Focus STD |
| 1030380 | 19. O-ring 2x1 EPDM 70S |
| 1030060 | 20. O-ring 0,78x1,02 EPDM 70S |
| 10593290 | 21. Sealing Casing |
| 1060910 | 25. Cover pink 10ul |
| 1061390 | NEW 25. Cover new pink 10ul |
| 1060040 | 26. Tube |

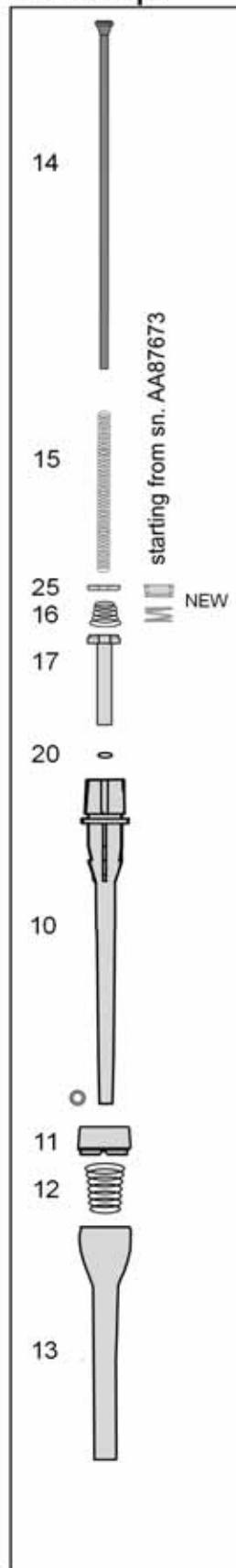
Finnpipette FOCUS STD



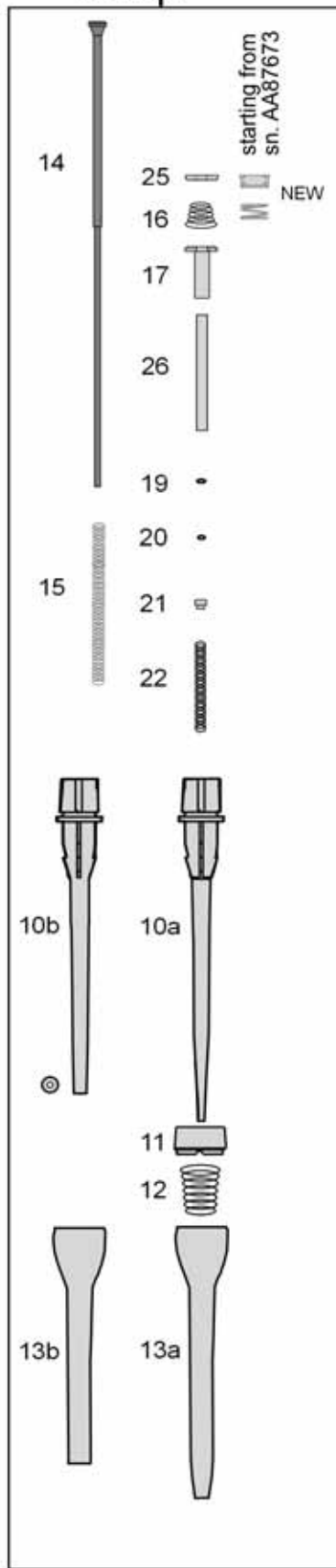
3. Handle



10-100µl



3-30µl
5-50µl



Tip cone assy

Finnpipette SCP Spare Parts 1.Jan.2010

Finnpipette FOCUS STD

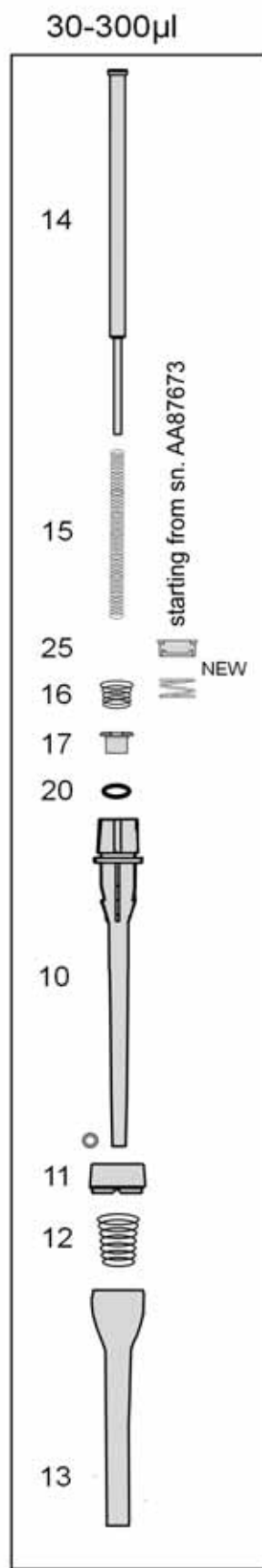
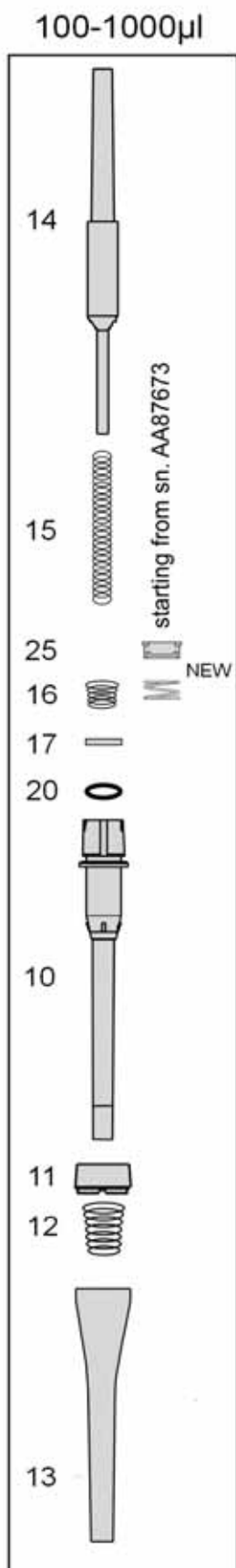
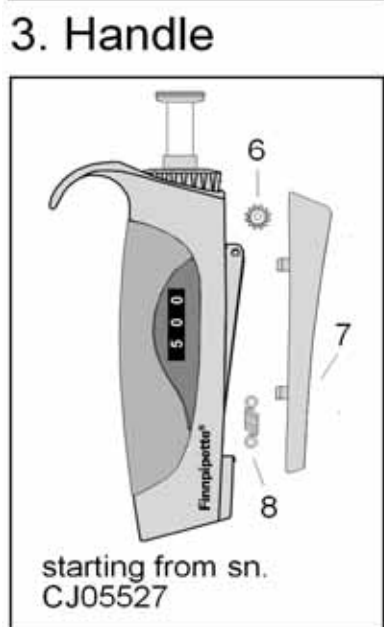
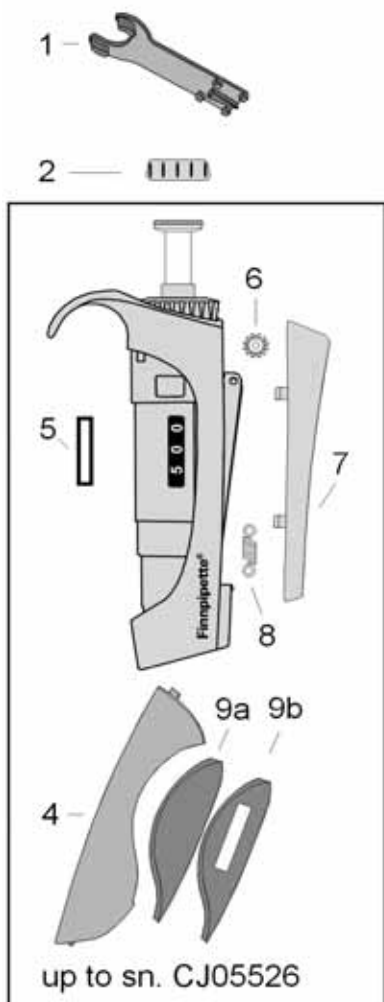
| Reference | Part name |
|---|--|
| On all models: (3-30µl, 3-30µl Micro, 5-50µl, 5-50µl Micro, 10-100µl) | |
| 10593480 | 1. Service Tool Digital |
| 1060340 | 4. Snap-on handle piece, medium, blue |
| 1060840 | 5. Window frame Focus |
| 1060400 | 6. Cogwheel Focus |
| 1132360 | 8. Tip ejector pusher spring 0,4x4x15 |
| 1061080 | 9a. Solid window left Focus |
| 1060422 | 9b. Display window 30ul, 50ul, 100ul Focus |
| 1060640 | 11. Tip ejector SCP upper part Focus |
| 1132180 | 12. Tip ejector spring 0,75x15,4x25 |
| 1132330 | 15. Piston Spring 0,4x4,2x110 |
| 1132190 | 16. Cover spring 0,7x11,8x12 |
| 1132620 | NEW 16. Cover spring 0,7x11,7x6,5 |

| 4600200 | Finnpipette FOCUS STD 3-30ul |
|----------|---------------------------------------|
| 4600190 | Finnpipette FOCUS STD 3-30ul micro |
| 1060170 | Univ. 2. Cap, yellow Focus |
| 1060240 | Micro 2. Cap, turquoise Focus |
| 2209180 | 3. Handle 3-30ul, Focus STD |
| 2209000 | Tip cone assy 3-30ul, Focus STD |
| 2209010 | Tip cone assy 3-30ul Micro, Focus STD |
| 1060397 | 7. Tip ejector pusher 3-30ul Focus |
| 1062000 | 10a. Tip cone 10ul STD |
| 1062050 | Univ. 13b. Tip ejector 100ul STD |
| 1062040 | Micro 13a. Tip ejector 10ul STD |
| 2208920 | 14. Piston assy 3-30ul, Focus STD |
| 1060600 | 17. Spring base 10/50ul Focus |
| 1033190 | 19. O-ring 1,8x1,2 EPDM |
| 1033110 | 20. O-ring 1.06x1.27 EPDM 70S |
| 10593500 | 21. Spring support 50ul |
| 1132340 | 22. Dash Spring 0,3x3,6x45 |
| 1060900 | 25. Cover grey 30ul |
| 1061400 | NEW 25. Cover new grey 30ul |
| 1060040 | 26. Tube |

| 4600210 | Finnpipette FOCUS STD 5-50ul micro |
|----------|---------------------------------------|
| 4600220 | Finnpipette FOCUS STD 5-50ul |
| 1060170 | Univ. 2. Cap, yellow Focus |
| 1060240 | Micro 2. Cap, turquoise Focus |
| 2209170 | 3. Handle 5-50ul, Focus STD |
| 2208980 | Tip cone assy 5-50ul, Focus STD |
| 2208990 | Tip cone assy 5-50ul Micro, Focus STD |
| 1060396 | 7. Tip ejector pusher 5-50ul Focus |
| 1062010 | Univ. 10b. Tip cone 50ul STD |
| 1062000 | Micro 10a. Tip cone 10ul STD |
| 1062050 | Univ. 13b. Tip ejector 100ul STD |
| 1062040 | Micro 13a. Tip ejector 10ul STD |
| 1062070 | 14. Piston 50ul Focus STD |
| 1060600 | 17. Spring base 10/50ul Focus |
| 1030500 | 19. O-ring 2,3x1,0 EPDM 70S |
| 1033060 | 20. O-ring 1,78x1,02 EPDM 70S |
| 10593500 | 21. Spring support 50ul |
| 1132000 | Univ. 22. Spring 0,3x3,6x20 |
| 1132340 | Micro 22. Dash Spring 0,3x3,6x45 |
| 1060890 | 25. Cover turquoise 50ul |
| 1061410 | NEW 25. Cover new turquoise 50ul |
| 1060040 | 26. Tube |

| 4600230 | Finnpipette FOCUS STD 10-100ul |
|---------|--------------------------------------|
| 1060170 | 2. Cap, yellow Focus |
| 2209160 | 3. Handle 10-100ul, Focus STD |
| 2208970 | Tip cone assy 10-100ul, Focus STD |
| 1060395 | 7. Tip ejector pusher 10-100ul Focus |
| 1062020 | 10. Tip cone 100ul STD |
| 1062050 | 13. Tip ejector 100ul STD |
| 1061280 | 14. Piston 100ul Focus STD |
| 1060610 | 17. Spring base 100ul Focus |
| 1030510 | 20. O-ring 2,6x1,3 EPDM 70S |
| 1060880 | 25. Cover yellow 100ul |
| 1061420 | NEW 25. Cover new yellow 100ul |

Finnpipette FOCUS STD



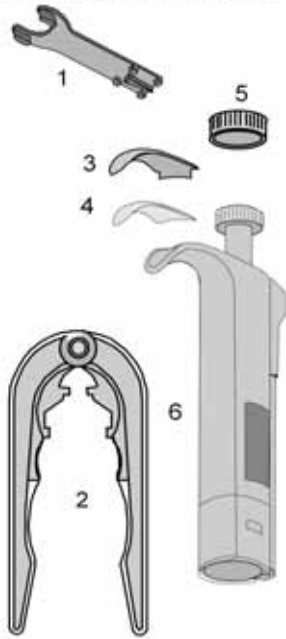
Tip cone assy

Finnpipette FOCUS STD

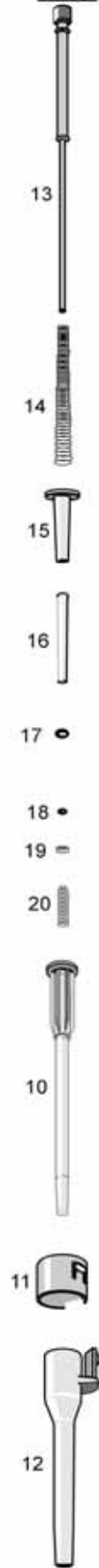
| Reference | Part name |
|--|--|
| On all models: (30-300µl, 100-1000µl) | |
| 10593480 | 1. Service Tool Digital |
| 1060340 | 4. Snap-on handle piece, medium, blue |
| 1060840 | 5. Window frame Focus |
| 1060400 | 6. Cogwheel Focus |
| 1132360 | 8. Tip ejector pusher spring 0,4x4x15 |
| 1061080 | 9a. Solid window left Focus |
| 1060421 | 9b. Display window 300ul, 1000ul Focus |
| 1060640 | 11. Tip ejector SCP upper part Focus |
| 1132180 | 12. Tip ejector spring 0,75x15,4x25 |
| 1132400 | 16. Cover spring 0,7x12,1x17 |
| 1132620 | NEW 16. Cover spring 0,7x11,7x6,5 |
| 4600240 Finnpiette FOCUS STD 30-300ul | |
| 1060160 | 2. Cap, orange Focus |
| 2209150 | 3. Handle 30-300ul, Focus STD |
| 2208960 | Tip cone assy 30-300ul, Focus STD |
| 1060394 | 7. Tip ejector pusher 30-300ul Focus |
| 1062020 | 10. Tip cone 100ul STD |
| 1062050 | 13. Tip ejector 100ul STD |
| 1061290 | 14. Piston 300ul Focus STD |
| 1132420 | 15. Piston Spring 0,6x6,5x110 |
| 1060620 | 17. Spring base 300ul Focus |
| 1033180 | 20. O-ring 4,48x1,78 EPDM |
| 1061430 | NEW 25. Cover new orange 300ul |
| 4600250 Finnpiette FOCUS STD 100-1000ul | |
| 1060180 | 2. Cap, blue Focus |
| 2209140 | 3. Handle 100-1000ul, Focus STD |
| 2208950 | Tip cone assy 100-1000ul, Focus STD |
| 1060393 | 7. Tip ejector pusher 100-1000ul Focus |
| 1062030 | 10. Tip cone 1000ul STD |
| 1062060 | 13. Tip ejector 1000ul STD |
| 1060710 | 14. Piston 1000ul Focus |
| 1132320 | 15. Piston Spring 0,45x5,2x60 |
| 1060630 | 17. Spring base 1000ul Focus |
| 1030020 | 20. O-ring 8,73x1,78 EPDM 70S |
| 1061350 | NEW 25. Cover new blue 1000ul |

Finnpipette SCP Spare Parts 1.Jan.2010

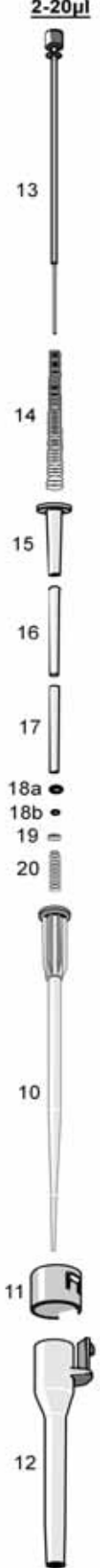
Finnpipette Digital



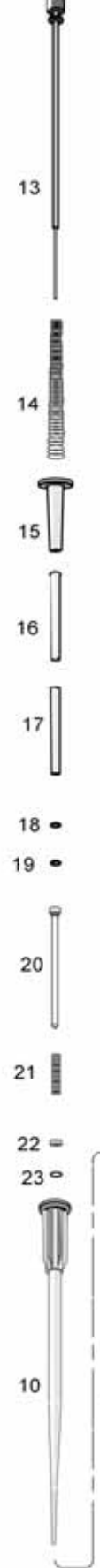
5-40µl
5-50µl



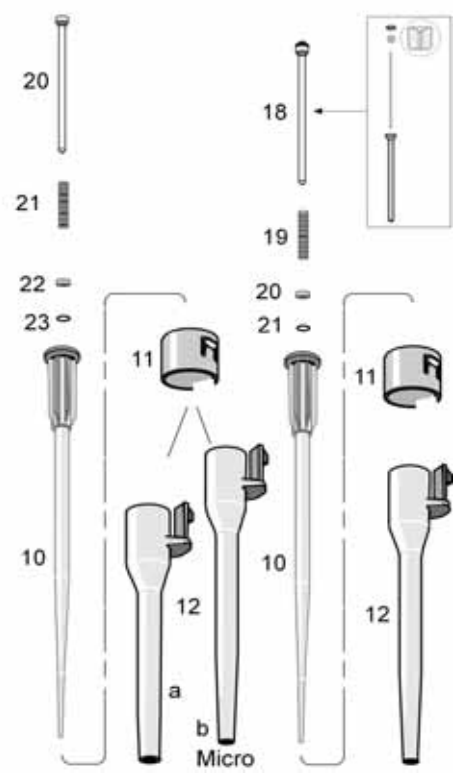
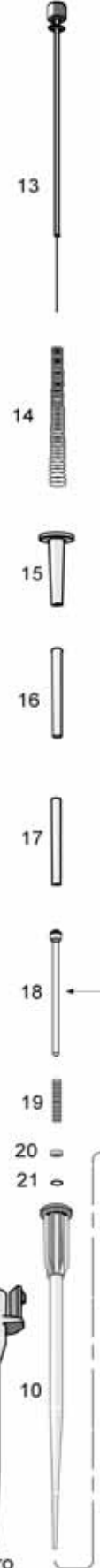
2-20µl



0.5-10µl



0.2-2µl



Finnpipette Digital

Reference

Part name

On all models: (0,2-2µl, 0,5-10µl, 2-20µl, 5-40µl, 5-50µl)

| | |
|----------|--------------------------------|
| 10593480 | 1. Service Tool Digital |
| 2900510 | 2. Maintenance Pliers, Digital |
| 10593050 | 3. Label Window Digital |
| 1527200 | 4. Safety label silver Digital |
| 10593080 | 11. Adapter SCP Digital |
| 1131810 | 14. Piston Spring 0,5x6,9x70 |
| 10593340 | 15. Spring Support |
| 10593330 | 16. O-ring tube |

4500000

Finnpipette Digital 0.2-2ul micro

| | |
|----------|-------------------------------|
| 10589810 | 5. Cap pink, Digital |
| 10592560 | 5. Soft cap pink, Digital |
| 2205740 | 6. Handle 0.2-2ul, Digital |
| 10593090 | 10. Tip Cone 20ul |
| 10593120 | 12. Tip Ejector 10ul |
| 2205700 | 13. Piston assy 2ul, Digital |
| 10593300 | 17. O-ring tube 2ul |
| 2205730 | 18. Sealing assy 2ul, Digital |
| 1131800 | 19. Dash Spring 0,3x2,7x12 |
| 10593360 | 20. Spring Support |
| 1030170 | 21. O-ring 1,6x1,0 EPDM 70S |

4500010

Finnpipette Digital 0.5-10ul micro

4500020

Finnpipette Digital 0.5-10ul

| | |
|----------|-------------------------------|
| 1057480 | 5. Cap, grey Digital |
| 10592500 | 5. Soft cap, grey Digital |
| 2205750 | 6. Handle 0.5-10ul, Digital |
| 10593090 | 10. Tip Cone 20ul |
| 10593110 | 12a. Tip Ejector 200ul |
| 10593120 | 12b. Tip Ejector 10ul |
| 2205710 | 13. Piston assy 10ul, Digital |
| 10593310 | 17. O-ring tube 10ul |
| 1030170 | 18. O-ring 1,6x1,0 EPDM 70S |
| 1030060 | 19. O-ring 0,78x1,02 EPDM 70S |
| 10593290 | 20. Sealing Casing |
| 1131800 | 21. Dash Spring 0,3x2,7x12 |
| 10593360 | 22. Spring Support |
| 1030170 | 23. O-ring 1,6x1,0 EPDM 70S |

4500080

Finnpipette Digital 2-20ul

| | |
|----------|--------------------------------|
| 1057490 | 5. Cap, orange Digital |
| 10592510 | 5. Soft cap, orange Digital |
| 2206610 | 6. Handle 2-20ul, Digital |
| 10593090 | 10. Tip Cone 20ul |
| 10593110 | 12. Tip Ejector 200ul |
| 2206440 | 13. Piston assy 20ul, Digital |
| 10593320 | 17. O-ring tube 20ul |
| 1030380 | 18a. O-ring 2x1 EPDM 70S |
| 1033110 | 18b. O-ring 1.06x1.27 EPDM 70S |
| 10593360 | 19. Spring Support |
| 1132120 | 20. Spring 0,3x3,4x20 |

4500030

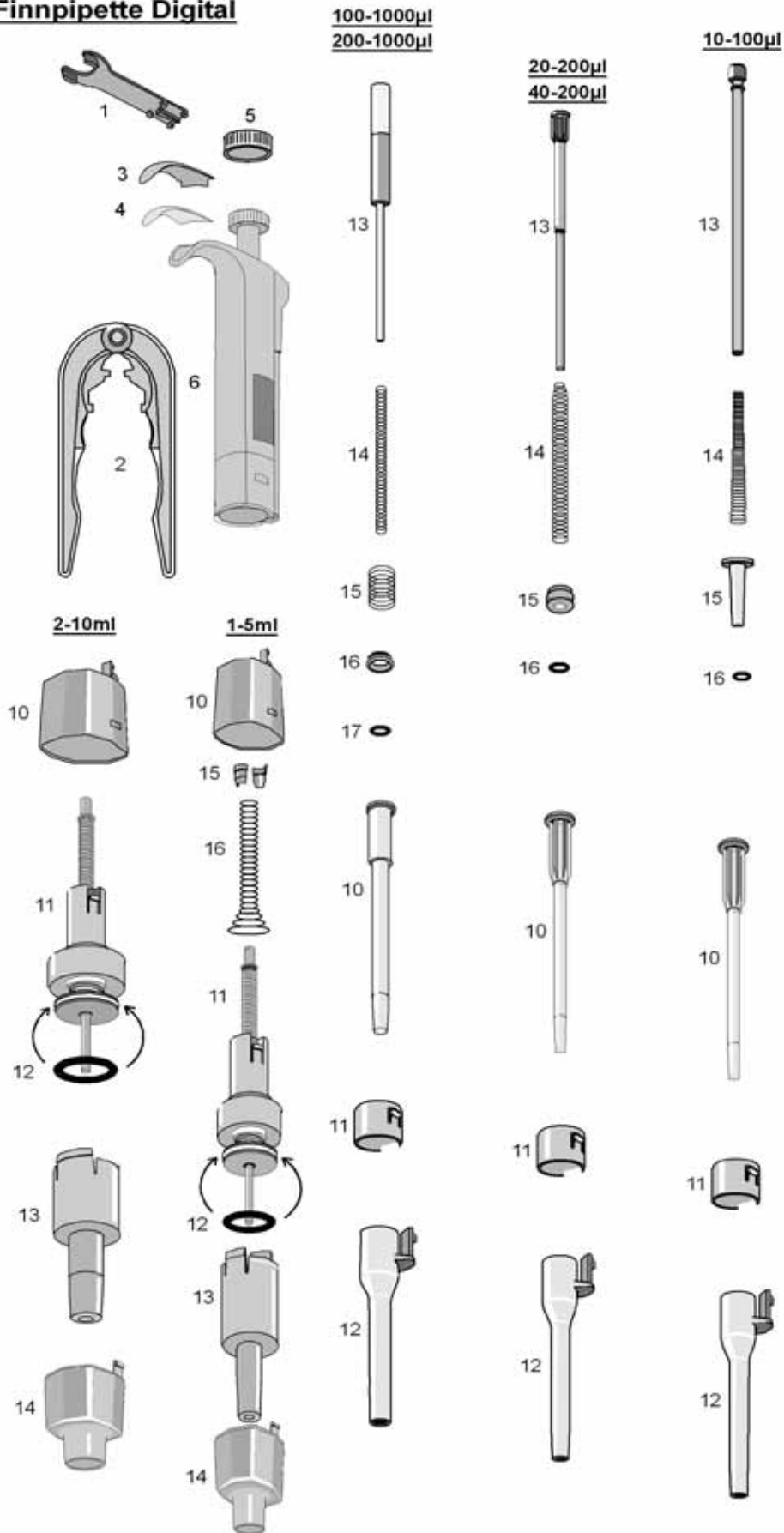
Finnpipette Digital 5-40ul

4500100

Finnpipette Digital 5-50ul

| | |
|----------|------------------------------------|
| 1057490 | 5. Cap, orange Digital |
| 10592510 | 5. Soft cap, orange Digital |
| 2205760 | 6. Handle 5-40ul, Digital |
| 2207220 | 6. Handle 5-50ul, Digital |
| 10593430 | 10. Tip Cone 40ul Digital |
| 10593110 | 12. Tip Ejector 200ul |
| 2205720 | 13. Piston assy 40ul, Digital |
| 2206430 | 13. Piston assy 50ul, Digital |
| 1030380 | 5-40 17. O-ring 2x1 EPDM 70S |
| 1030170 | 5-40 18. O-ring 1,6x1,0 EPDM 70S |
| 1030500 | 5-50 17. O-ring 2,3x1,0 EPDM 70S |
| 1033060 | 5-50 18. O-ring 1,78x1,02 EPDM 70S |
| 10593360 | 5-40 19. Spring Support |
| 10593500 | 5-50 19. Spring support 50ul |
| 1131880 | 5-40 20. Spring 0,3x3,4x20 |
| 1132000 | 5-50 20. Spring 0,3x3,6x20 |

Finnpipette Digital



Finnpipette SCP Spare Parts 1.Jan.2010

Finnpipette Digital

Reference

Part name

On all models: (10-100µl, 20/40-200µl, 100/200-1000µl, 1-5ml, 2-10ml)

| | |
|----------|--------------------------------|
| 10593480 | 1. Service Tool Digital |
| 2900510 | 2. Maintenance Pliers, Digital |
| 10593050 | 3. Label Window Digital |
| 1527200 | 4. Safety label silver Digital |

4500110 Finnpipette Digital 10-100ul

| | |
|----------|------------------------------|
| 1057500 | 5. Cap, yellow Digital |
| 10592520 | 5. Soft cap, yellow Digital |
| 2206630 | 6. Handle 10-100ul Digital |
| 10593620 | 10. Tip Cone 100ul Digital |
| 10593080 | 11. Adapter SCP Digital |
| 10593110 | 12. Tip Ejector 200ul |
| 2206600 | 13. Piston 100ul, Digital |
| 1131810 | 14. Piston Spring 0,5x6,9x70 |
| 10593340 | 15. Spring Support |
| 1030510 | 16. O-ring 2,6x1,3 EPDM 70S |

4500090 Finnpipette Digital 20-200ul

4500040 Finnpipette Digital 40-200ul

| | |
|----------|-------------------------------|
| 1057500 | 5. Cap, yellow Digital |
| 10592520 | 5. Soft cap, yellow Digital |
| 2206620 | 6. Handle 20-200ul Digital |
| 2205770 | 6. Handle 40-200ul, Digital |
| 10593420 | 10. Tip Cone 200ul Digital |
| 10593080 | 11. Adapter SCP Digital |
| 10593110 | 12. Tip Ejector 200ul |
| 1053840 | 13. Piston 200ul |
| 1130510 | 14. Piston Spring 0,6x6,9x65 |
| 1053860 | 15. O-ring Cap 200ul |
| 1030160 | 16. O-ring 3.68x1.78 EPDM 70S |

4500120 Finnpipette Digital 100-1000ul

4500050 Finnpipette Digital 200-1000ul

| | |
|----------|-------------------------------|
| 1057510 | 5. Cap, blue Digital |
| 10592530 | 5. Soft cap, blue Digital |
| 2206640 | 6. Handle 100-1000ul Digital |
| 2205780 | 6. Handle 200-1000ul, Digital |
| 10593410 | 10. Tip Cone 1000ul Digital |
| 10593080 | 11. Adapter SCP Digital |
| 10593100 | 12. Tip Ejector 1000ul |
| 10589450 | 13. Piston 1000ul |
| 1130560 | 14. Piston Spring 0,5x4,2x75 |
| 1130550 | 15. O-Ring Spring 0,8x13,7x15 |
| 1054260 | 16. O-ring Cap 1000ul |
| 1030020 | 17. O-ring 8,73x1,78 EPDM 70S |

4500060 Finnpipette Digital 1-5 ml

| | |
|----------|---|
| 1057520 | 5. Cap, green Digital |
| 10592540 | 5. Soft cap, green Digital |
| 2205790 | 6. Handle 1-5ml, Digital |
| 10593150 | 10. Tip Ejector, upper part 5ml Digital |
| 2205840 | 11. Piston assy 5ml, Digital |
| 1030230 | 12. O-ring 16x2,0 EPDM 70S |
| 10593130 | 13. Cylinder 5ml Digital |
| 10593160 | 14. Tip Ejector, lower part 5ml Digital |
| 2207890 | 15. Locking pieces (2pcs) |
| 1131940 | 16. Piston Spring 0,75x8x80 |

4500070 Finnpipette Digital 2-10 ml

| | |
|----------|--|
| 1058260 | 5. Cap, red Digital |
| 10592550 | 5. Soft cap red, Digital |
| 2205800 | 6. Handle 2-10ml, Digital |
| 10593190 | 10. Tip Ejector, upper part 10ml Digital |
| 2205850 | 11. Piston assy 2-10ml, Digital |
| 1033050 | 12. O-ring 23,47x2,62 EPDM 70S |
| 10593440 | 13. Cylinder 10ml Digital |
| 10593200 | 14. Tip Ejector, lower part 10ml Digital |

Finnpipette SCP Spare Parts 1.Jan.2010

Finnpipette Colour



- 10588753 0,5-10µl
- 10588763 5-40µl
- 105887601 5-50µl
- 105887724 20-200µl
- 10588773 40-200µl
- 105887812 100-1000µl
- 10588783 200-1000µl

1130570

1056630

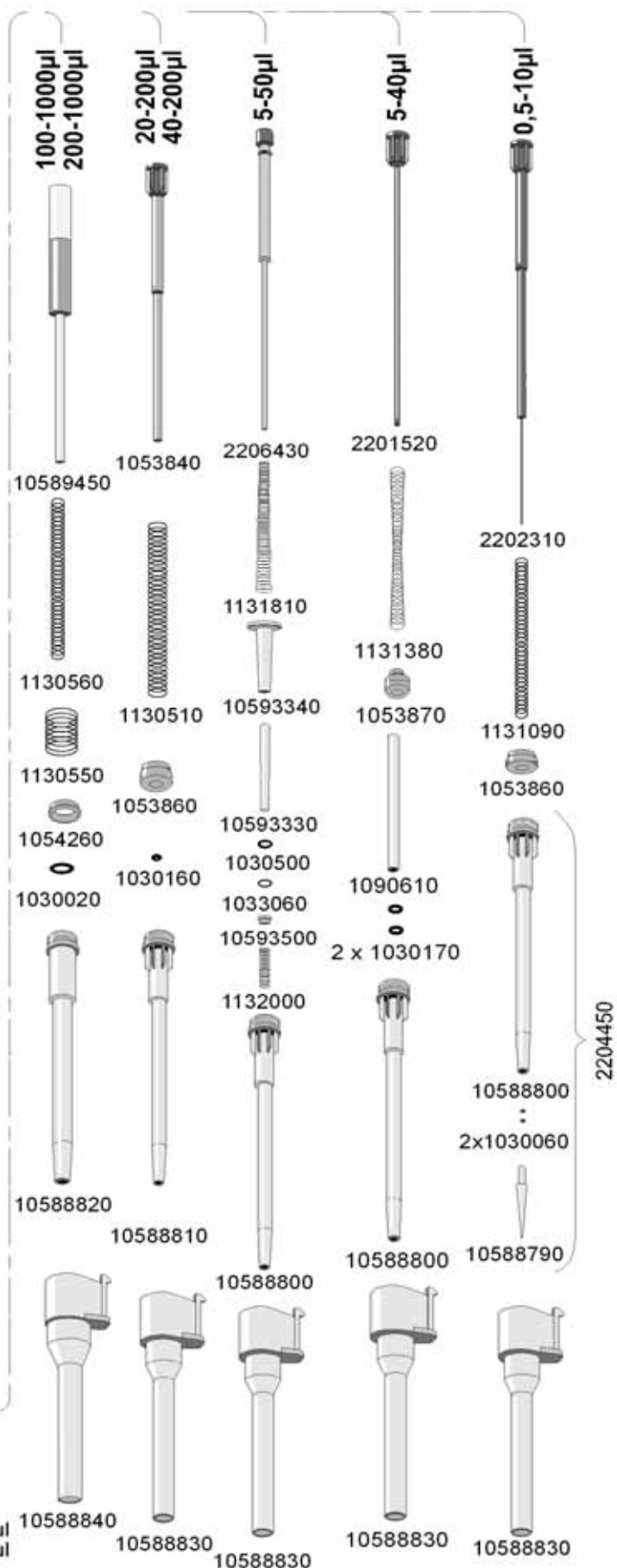


- 10588711 0,5-10µl
- 10588721 5-40µl
- 10588721 5-50µl
- 10588731 20-200µl
- 10588731 40-200µl
- 10588741 100-1000µl
- 10588741 200-1000µl

10588850



- 2205390 0,5-10µl
- 2205400 5-40µl
- 2206970 5-50µl
- 2205410 20-200µl
- 2205410 40-200µl
- 2206980 100-1000µl
- 2205420 200-1000µl



Finnpipette SCP Spare Parts 1.Jan.2010

Finnpipette Colour

| Reference | Part name |
|-----------------|---------------------------------------|
| On all Models | |
| 10589070 | Service tool, Colour |
| 1130570 | Tip Ejector Pusher Spring 0,5x4,6x58 |
| 1056630 | Spring support |
| 10588850 | Cap, white Digital |
| 4027640 | Finnpipette Colour 0.5-10ul |
| 10588753 | Tip Ejector Pusher 0.5-10ul |
| 10588711 | Handle cover 0.5-10ul, Colour |
| 2205390 | Handle core 0.5-10ul, Colour |
| 2202310 | Piston assy 10ul, SCP Colour |
| 1131090 | Piston Spring 0,6x6,9x55 |
| 1053860 | O-ring Cap 200ul |
| 10588800 | Tip Cone 0.5-40ul |
| 1030060 | O-ring 0,78x1,02 EPDM 70S |
| 10588790 | Lower Tip Cone 0.5-5ul |
| 2204450 | Tip cone assy 10ul, Colour |
| 10588830 | Tip Ejector 0.5-200ul |
| 4027650 | Finnpipette Colour 5-40ul |
| 10588763 | Tip ejector pusher 5-40ul, Colour |
| 10588721 | Handle cover 5-40/50ul, Colour |
| 2205400 | Handle core 5-40ul, Colour |
| 2201520 | Piston 5-40ul, Colour |
| 1131380 | Piston Spring 0,4x4,8x62 |
| 1053870 | O-ring Cap 40ul |
| 1090610 | Piston tube 40ul |
| 1030170 | O-ring 1,6x1,0 EPDM 70S |
| 10588800 | Tip Cone 0.5-40ul |
| 10588830 | Tip Ejector 0.5-200ul |
| 40270280 | Finnpipette Colour 5-50ul |
| 105887601 | Tip Ejector Pusher 5-50ul |
| 10588721 | Handle cover 5-40/50ul, Colour |
| 2206970 | Handle core 5-50ul, Colour |
| 2206430 | Piston assy 50ul, Digital |
| 1131810 | Piston Spring 0,5x6,9x70 |
| 10593340 | Spring Support |
| 10593330 | O-ring tube |
| 1030500 | O-ring 2,3x1,0 EPDM 70S |
| 1033060 | O-ring 1,78x1,02 EPDM 70S |
| 10593500 | Spring support 50ul |
| 1132000 | Spring 0,3x3,6x20 |
| 10588800 | Tip Cone 0.5-40ul |
| 10588830 | Tip Ejector 0.5-200ul |
| 40270290 | Finnpipette Colour 20-200ul |
| 4027660 | Finnpipette Colour 40-200ul |
| 105887724 | Tip Ejector Pusher 20-200ul |
| 10588773 | Tip ejector pusher 40-200ul, Colour |
| 10588731 | Handle cover 20/40-200ul, Colour |
| 2205410 | Handle core 20/40-200ul, Colour |
| 1053840 | Piston 200ul |
| 1130510 | Piston Spring 0,6x6,9x65 |
| 1053860 | O-ring Cap 200ul |
| 1030160 | O-ring 3.68x1.78 EPDM 70S |
| 10588810 | Tip Cone 40-200ul |
| 10588830 | Tip Ejector 0.5-200ul |
| 40270300 | Finnpipette Colour 100-1000ul |
| 4027670 | Finnpipette Colour 200-1000ul |
| 105887812 | Tip Ejector Pusher 100-1000ul |
| 10588783 | Tip ejector pusher 200-1000ul, Colour |
| 10588741 | Handle cover 100/200-1000ul, Colour |
| 2206980 | Handle core 100-1000ul, Colour |
| 2205420 | Handle core 200-1000ul, Colour |
| 10589450 | Piston 1000ul |
| 1130560 | Piston Spring 0,5x4,2x75 |
| 1130550 | O-Ring Spring 0,8x13,7x15 |
| 1054260 | O-ring Cap 1000ul |
| 1030020 | O-ring 8,73x1,78 EPDM 70S |
| 10588820 | Tip Cone 200-1000ul |
| 10588840 | Tip Ejector 200-1000ul |

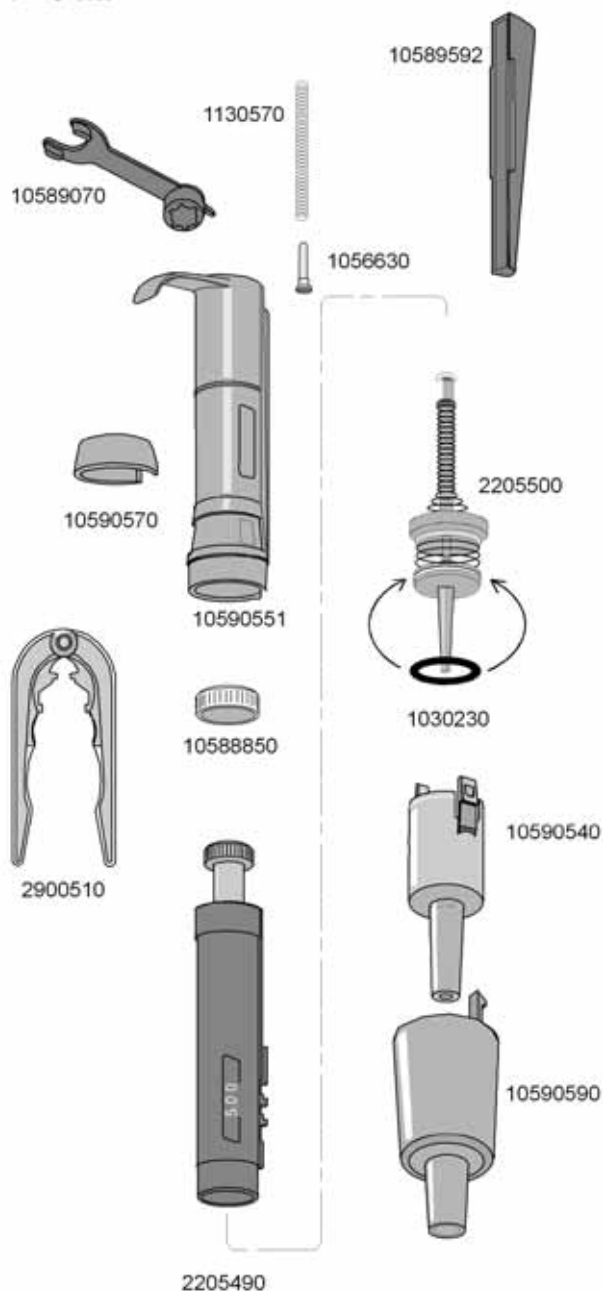
Finnpipette SCP Spare Parts 1.Jan.2010

Finnpipette Colour

| Reference | Part name |
|---------------|--------------------------------------|
| On all Models | |
| 10589070 | Service tool, Colour |
| 2900510 | Maintenance Pliers, Digital |
| 1130570 | Tip Ejector Pusher Spring 0,5x4,6x58 |
| 1056630 | Spring support |
| 10588850 | Cap, white Digital |

| 4027680 | Finnpipette Colour 1-5 ml |
|----------|-----------------------------|
| 10589592 | Tip Ejector Pusher, 1-5ml |
| 10590570 | Cover turquoise 1-5ml |
| 10590551 | Handle cover 1-5ml, Colour |
| 2205490 | Handle core 1-5ml, Colour |
| 2205500 | Piston assy 5ml, Colour |
| 1030230 | O-ring 16x2,0 EPDM 70S |
| 10590540 | Cylinder 1-5ml Colour |
| 10590590 | Tip ejector turquoise 1-5ml |

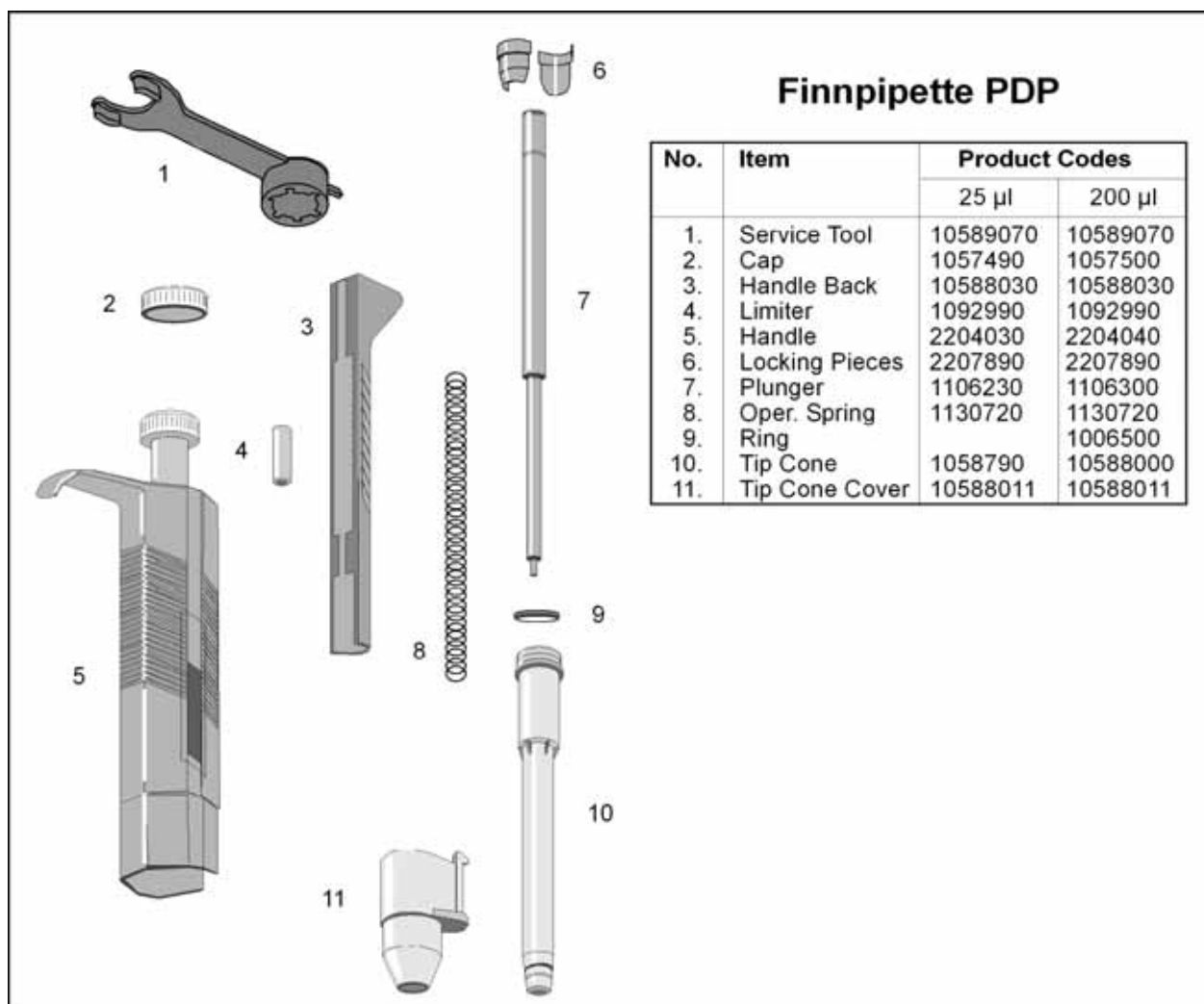
Finnpipette Colour 1 - 5 ml



Finnpipette SCP Spare Parts 1.Jan.2010

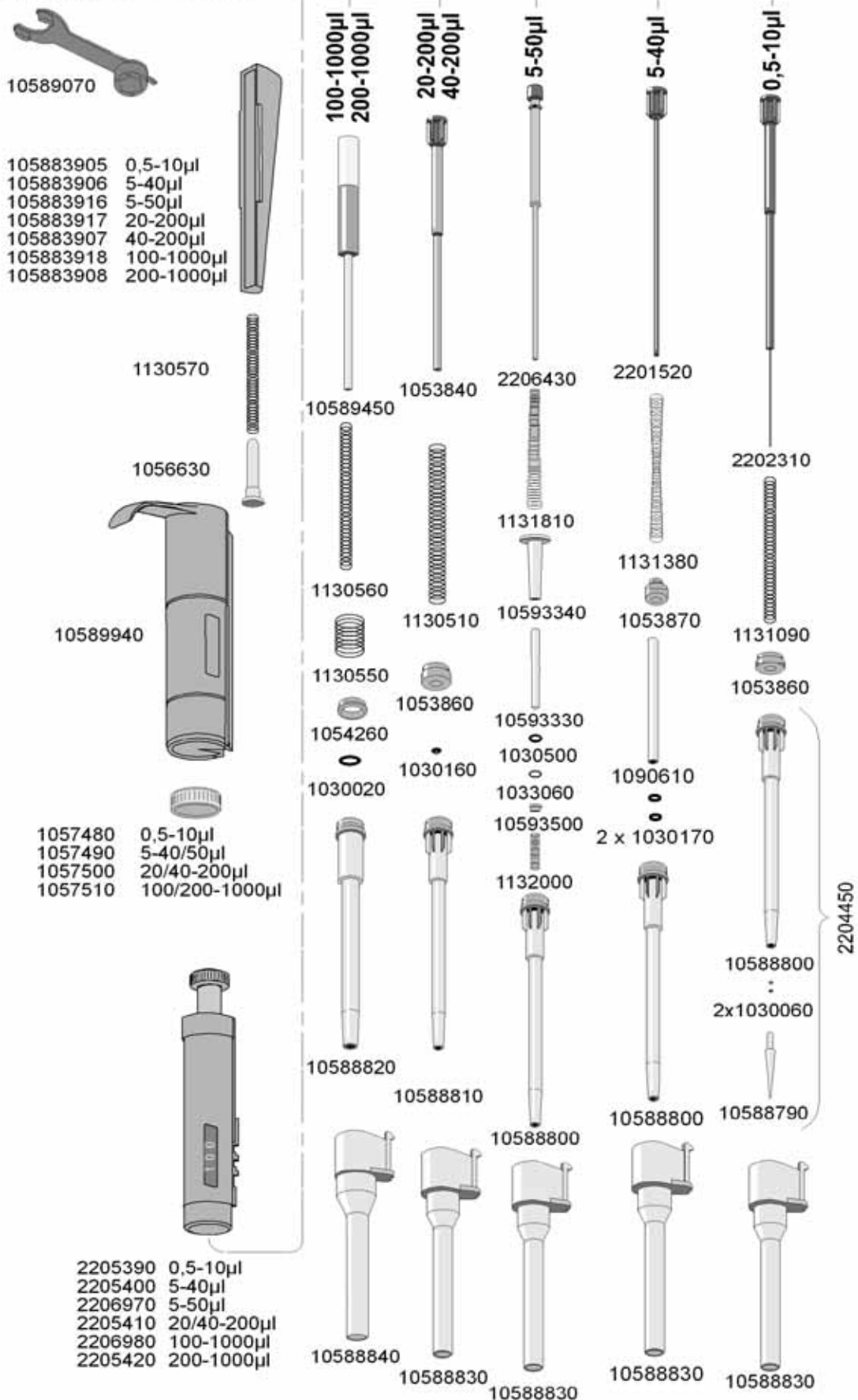
Finnpipette P.D.P.

| Reference | Part name |
|----------------|---------------------------------|
| 4027220 | Finnpipette PDP 0.5-25ul |
| 10589070 | 1. Service tool, Colour |
| 1057490 | 2. Cap, orange Digital |
| 10588030 | 3. Handle back, PDP |
| 1092990 | 4. Limiter, PDP |
| 2204030 | 5. Handle 25ul, PDP |
| 2207890 | 6. Locking pieces (2pcs) |
| 1106230 | 7. Plunger 25ul AISI 316, PDP |
| 1130720 | 8. Holder Spring 0,8x6,4x90 |
| 1058790 | 10. Tip cone 25ul, PDP |
| 10588011 | 11. Tip cone cover, PDP |
| 4027230 | Finnpipette PDP 20-200ul |
| 10589070 | 2. Service tool, Colour |
| 1057500 | 2. Cap, yellow Digital |
| 10588030 | 3. Handle back, PDP |
| 1092990 | 4. Limiter, PDP |
| 2204040 | 5. Handle 200ul, PDP |
| 2207890 | 6. Locking pieces (2pcs) |
| 1106300 | 7. Plunger 200ul AISI 316, PDP |
| 1130720 | 8. Holder Spring 0,8x6,4x90 |
| 1006500 | 9. Ring PDP |
| 10588000 | 10. Tip cone 200ul PDP |
| 10588011 | 11. Tip cone cover, PDP |



Finnpipette SCP Spare Parts 1.Jan.2010

Finnpipette Campus



Finnpipette SCP Spare Parts 1.Jan.2010

Finnpipette Campus

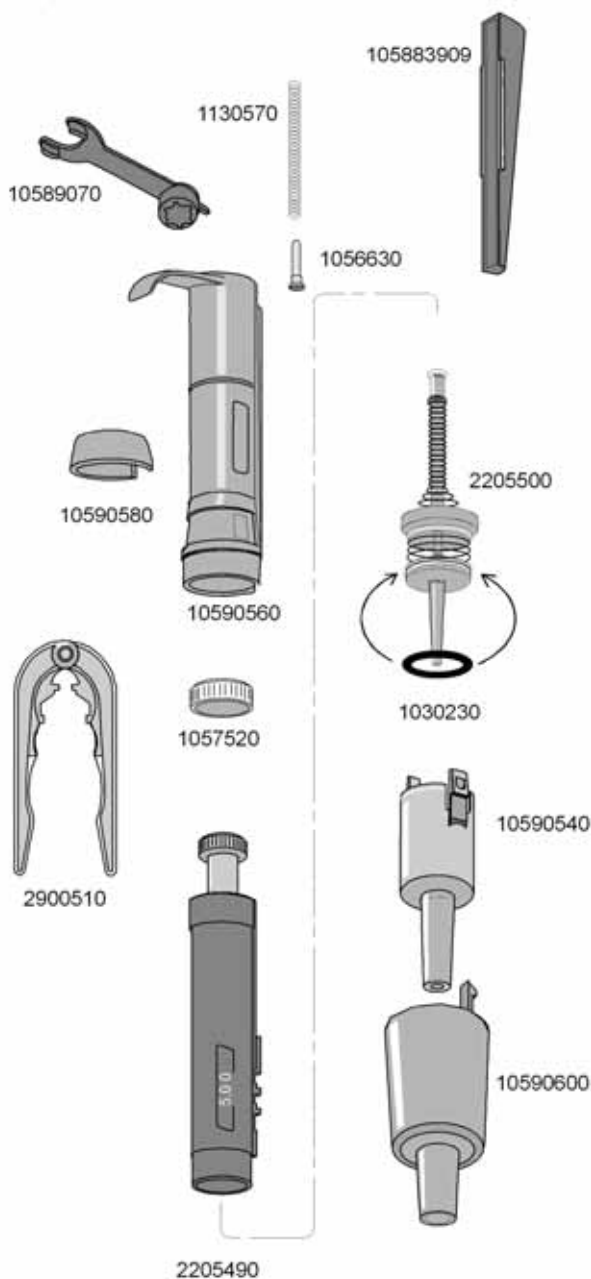
| Reference | Part name |
|-----------------|---------------------------------------|
| On all Models | |
| 10589070 | Service tool, Colour |
| 1130570 | Tip Ejector Pusher Spring 0,5x4,6x58 |
| 1056630 | Spring support |
| 10589940 | Handle Cover Grey |
| 40270070 | Finnpipette Campus 0,5-10ul |
| 105883905 | Tip ejector pusher 0.5-10ul, Campus |
| 1057480 | Cap, grey Digital |
| 2205390 | Handle core 0.5-10ul, Colour |
| 2202310 | Piston assy 10ul, SCP Colour |
| 1131090 | Piston Spring 0,6x6,9x55 |
| 1053860 | O-ring Cap 200ul |
| 10588800 | Tip Cone 0.5-40ul |
| 1030060 | O-ring 0,78x1,02 EPDM 70S |
| 10588790 | Lower Tip Cone 0.5-5ul |
| 2204450 | Tip cone assy 10ul, Colour |
| 10588830 | Tip Ejector 0.5-200ul |
| 40270080 | Finnpipette Campus 5-40ul |
| 105883906 | Tip ejector pusher 5-40ul, Campus |
| 1057490 | Cap, orange Digital |
| 2205400 | Handle core 5-40ul, Colour |
| 2201520 | Piston 5-40ul, Colour |
| 1131380 | Piston Spring 0,4x4,8x62 |
| 1053870 | O-ring Cap 40ul |
| 1090610 | Piston tube 40ul |
| 1030170 | O-ring 1,6x1,0 EPDM 70S |
| 10588800 | Tip Cone 0.5-40ul |
| 10588830 | Tip Ejector 0.5-200ul |
| 40270310 | Finnpipette Campus 5-50ul |
| 105883916 | Tip ejector pusher 5-50ul, Campus |
| 1057490 | Cap, orange Digital |
| 2206970 | Handle core 5-50ul, Colour |
| 2206430 | Piston assy 50ul, Digital |
| 1131810 | Piston Spring 0,5x6,9x70 |
| 10593340 | Spring Support |
| 10593330 | O-ring tube |
| 1030500 | O-ring 2,3x1,0 EPDM 70S |
| 1033060 | O-ring 1,78x1,02 EPDM 70S |
| 10593500 | Spring support 50ul |
| 1132000 | Spring 0,3x3,6x20 |
| 10588800 | Tip Cone 0.5-40ul |
| 10588830 | Tip Ejector 0.5-200ul |
| 40270320 | Finnpipette Campus 20-200ul |
| 40270090 | Finnpipette Campus 40-200ul |
| 105883917 | Tip ejector pusher 20-200ul, Campus |
| 105883907 | Tip ejector pusher 40-200ul, Campus |
| 1057500 | Cap, yellow Digital |
| 2205410 | Handle core 20/40-200ul, Colour |
| 1053840 | Piston 200ul |
| 1130510 | Piston Spring 0,6x6,9x65 |
| 1053860 | O-ring Cap 200ul |
| 1030160 | O-ring 3.68x1.78 EPDM 70S |
| 10588810 | Tip Cone 40-200ul |
| 10588830 | Tip Ejector 0.5-200ul |
| 40270330 | Finnpipette Campus 100-1000ul |
| 40270100 | Finnpipette Campus 200-1000ul |
| 105883918 | Tip ejector pusher 100-1000ul, Campus |
| 105883908 | Tip ejector pusher 200-1000ul, Campus |
| 1057510 | Cap, blue Digital |
| 2206980 | Handle core 100-1000ul, Colour |
| 2205420 | Handle core 200-1000ul, Colour |
| 10589450 | Piston 1000ul |
| 1130560 | Piston Spring 0,5x4,2x75 |
| 1130550 | O-Ring Spring 0,8x13,7x15 |
| 1054260 | O-ring Cap 1000ul |
| 1030020 | O-ring 8,73x1,78 EPDM 70S |
| 10588820 | Tip Cone 200-1000ul |
| 10588840 | Tip Ejector 200-1000ul |

Finnpipette SCP Spare Parts 1.Jan.2010

Finnpipette Campus 1-5ml

| Reference | Part name |
|-----------------|--------------------------------------|
| On all Models | |
| 10589070 | Service tool, Colour |
| 2900510 | Maintenance Pliers, Digital |
| 1130570 | Tip Ejector Pusher Spring 0,5x4,6x58 |
| 1056630 | Spring support |
| 2900510 | Maintenance Pliers, Digital |
| 40270110 | Finnpipette Campus 1-5ml |
| 105883909 | Tip ejector pusher 1-5ml, Campus |
| 10590580 | Cover grey 1-5ml |
| 10590560 | Handle Cover grey 1-5ml |
| 1057520 | Cap, green Digital |
| 2205490 | Handle core 1-5ml, Colour |
| 2205500 | Piston assy 5ml, Colour |
| 1030230 | O-ring 16x2,0 EPDM 70S |
| 10590540 | Cylinder 1-5ml Colour |
| 10590600 | Tip ejector gray 1-5ml |

Finnpipette Campus 1 - 5 ml

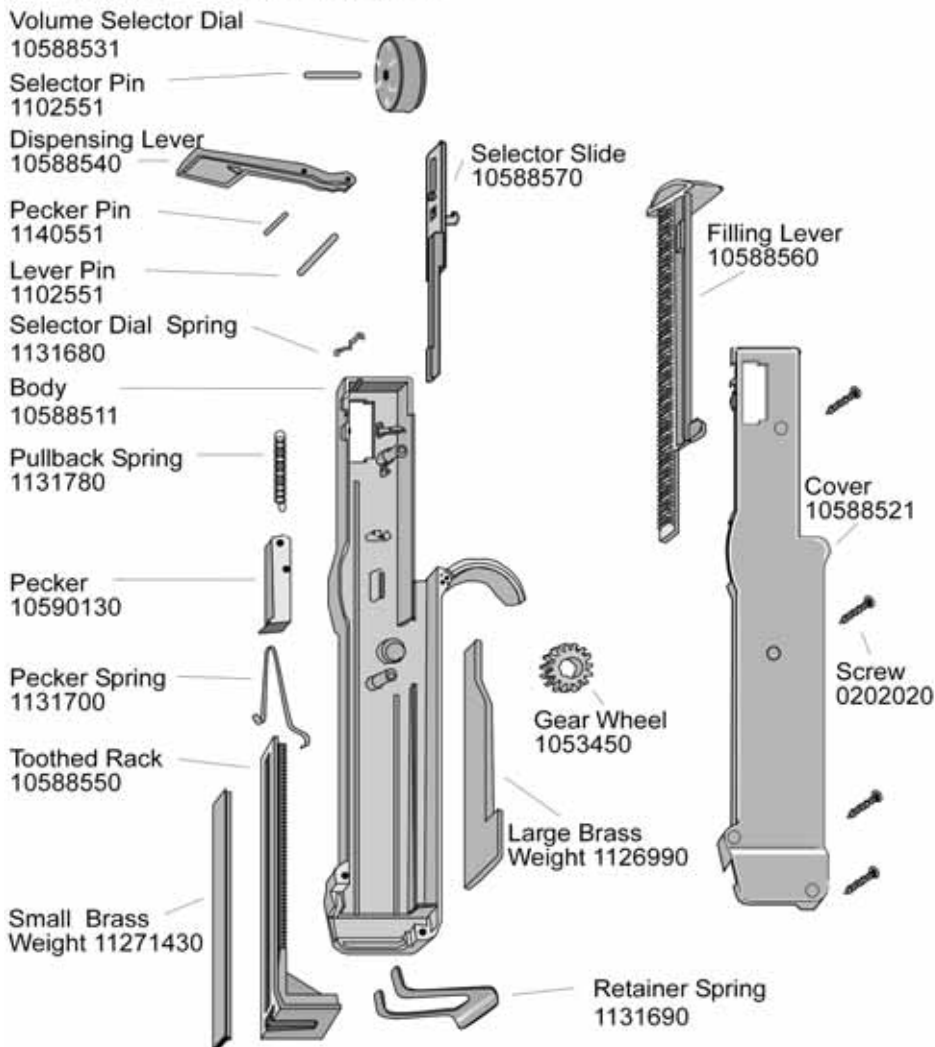


Finnpipette SCP Spare Parts 1.Jan.2010

Finnpipette Stepper

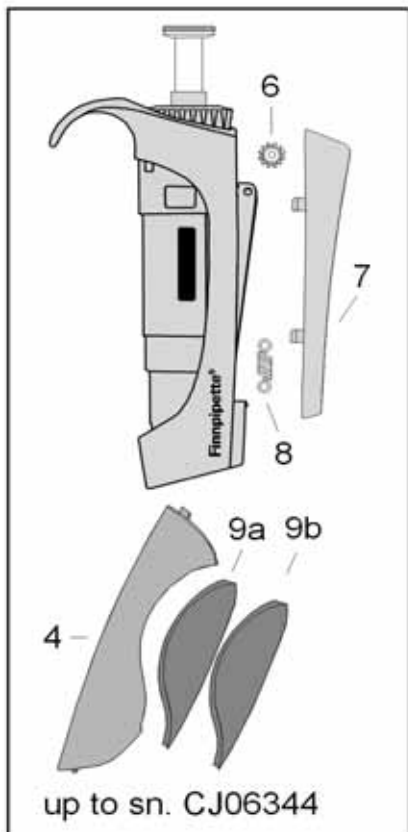
| Reference | Part name |
|-----------|----------------------------------|
| 4540000 | Finnpipette Stepper |
| 9420300 | Adapter, Stepper, 10 pcs |
| 9420310 | Adapter, Stepper, Sterile, 5 pcs |
| 10588531 | Volume Selector Dial, Stepper |
| 1102551 | Pin 2x17.8 |
| 10588540 | Dispensing Lever, Stepper |
| 1140551 | Pecker Pin 1,5x11,8 |
| 1102551 | Pin 2x17.8 |
| 1131680 | Selector Dial Spring |
| 10588511 | Body, Stepper |
| 1131780 | Pullback Spring 0,4x4x21 |
| 10590130 | Pecker, Stepper |
| 1131700 | Pecker Spring |
| 10588550 | Toothed Rack, Stepper |
| 11271430 | Small weight, Stepper |
| 10588570 | Selector Slide, Stepper |
| 1053450 | Gear wheel, Stepper |
| 1126990 | Large weight, Stepper |
| 1131690 | Retainer Spring |
| 10588560 | Filling Lever, Stepper |
| 10588521 | Cover, Stepper |
| 0202020 | Screw PT 2,2x8 WN 1442 |

Finnpipette Stepper

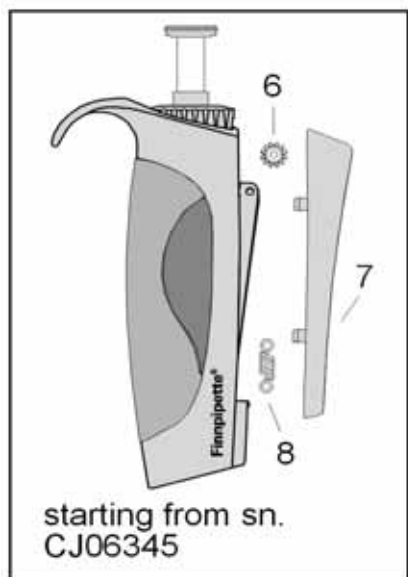


Note;
Small and Large Brass Weights no more installed starting from sn. V67336 (16. August 2005)

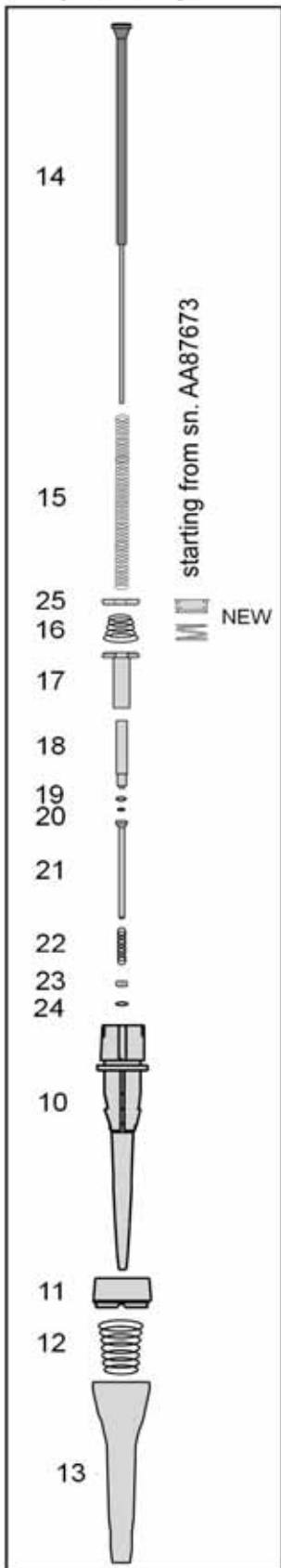
FP FOCUS Short
Fixed Volume



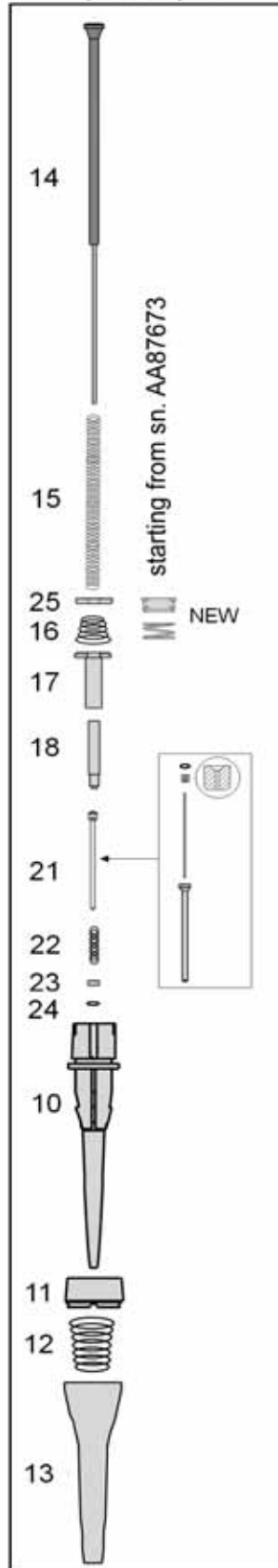
3. Handle



5µl, 10µl



1µl, 2µl



Tip cone assy

Finnpipette FOCUS Short Fixed Volume

Reference

Part name

On all models: (1µl, 2µl, 5µl, 10µl)

| | |
|----------|--|
| 10593480 | 1. Service Tool Digital |
| 1060220 | 2. Cap, dark blue Focus |
| 1061030 | 4. Snap-on handle piece, medium, dark blue |
| 1060400 | 6. Cogwheel Focus |
| 1132360 | 8. Tip ejector pusher spring 0,4x4x15 |
| 1061080 | 9a. Solid window left Focus |
| 1061090 | 9b. Solid window right Focus |
| 1060560 | 10. Tip cone 10ul Focus short |
| 1060640 | 11. Tip ejector SCP upper part Focus |
| 1132180 | 12. Tip ejector spring 0,75x15,4x25 |
| 1060650 | 13. Tip ejector 10ul Focus short |
| 1132330 | 15. Piston Spring 0,4x4,2x110 |
| 1132190 | 16. Cover spring 0,7x11,8x12 |
| 1132620 | NEW 16. Cover spring 0,7x11,7x6,5 |
| 1060600 | 17. Spring base 10/50ul Focus |
| 1060740 | 18. O-ring tube 10ul Focus |
| 1131800 | 22. Dash Spring 0,3x2,7x12 |
| 10593360 | 23. Spring Support |
| 1030170 | 24. O-ring 1,6x1,0 EPDM 70S |

4601000

Finnpipette FOCUS Short Fixed 1ul micro

4601010

Finnpipette FOCUS Short Fixed 2ul micro

| | |
|----------|--------------------------------------|
| 2208640 | 3. Handle 1ul Fixed, Focus |
| 2208630 | 3. Handle 2ul Fixed, Focus |
| 2208180 | Tip cone assy 3ul, Focus short |
| 10603903 | 7. Tip ejector pusher 1ul Focus |
| 10603904 | 7. Tip ejector pusher 2ul Focus |
| 2208310 | 14. Piston assy 0.3-3ul, Focus short |
| 2208460 | 21. Sealing assy 0.3-3ul, Focus |
| 1060930 | 25. Cover orange 3ul |
| 1061370 | NEW 25. Cover new natural 3ul |

4601020

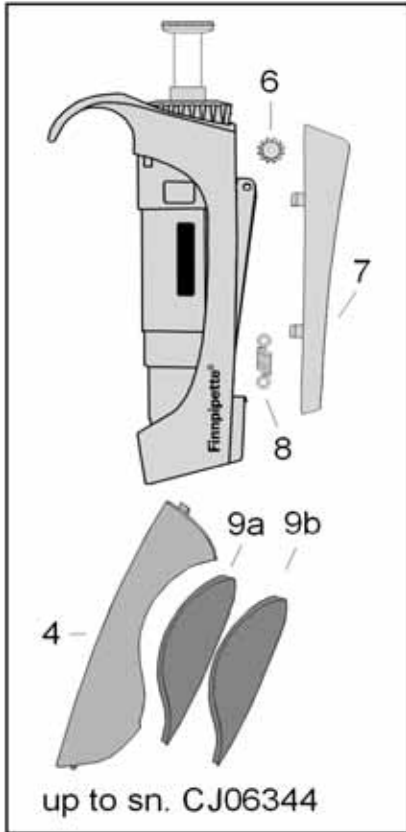
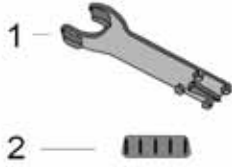
Finnpipette FOCUS Short Fixed 5ul micro

4601030

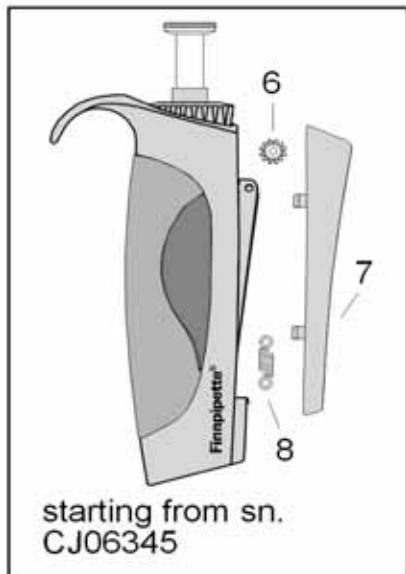
Finnpipette FOCUS Short Fixed 10ul micro

| | |
|----------|---|
| 2208620 | 3. Handle 5ul Fixed, Focus |
| 2208610 | 3. Handle 10ul Fixed, Focus |
| 2208190 | 5µl. Tip cone assy 5ul, Focus short |
| 2208100 | 10µl. Tip cone assy 10ul Micro, Focus short |
| 10603905 | 7. Tip ejector pusher 5ul Focus |
| 10603906 | 7. Tip ejector pusher 10ul Focus |
| 2208320 | 5µl 14. Piston assy 0.5-5ul, Focus short |
| 2208120 | 10µl 14. Piston assy 10ul, Focus short |
| 1030380 | 19. O-ring 2x1 EPDM 70S |
| 1030160 | 5µl 20. O-ring 3.68x1.78 EPDM 70S |
| 1030060 | 10µl 20. O-ring 0,78x1,02 EPDM 70S |
| 10593290 | 21. Sealing Casing |
| 1060920 | 5µl 25. Cover lila 5ul |
| 1061380 | NEW 25. Cover new lila 5ul |
| 1060910 | 10µl 25. Cover pink 10ul |
| 1061390 | NEW 25. Cover new pink 10ul |

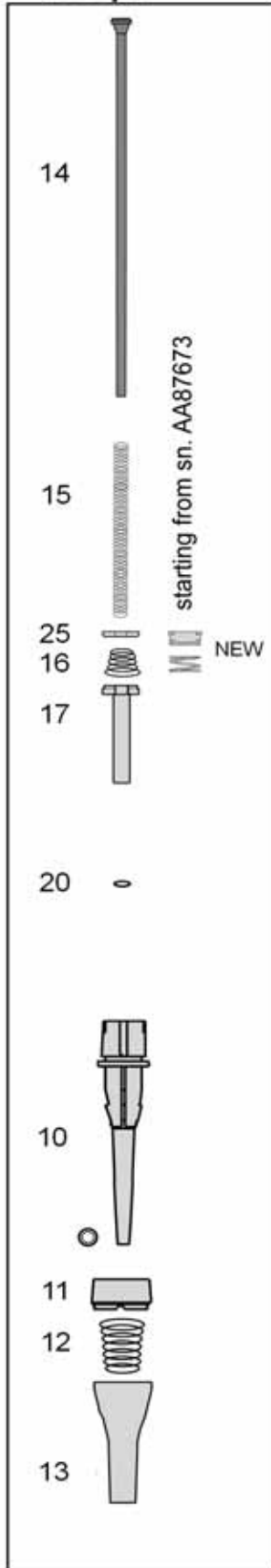
FP FOCUS Short
Fixed volume



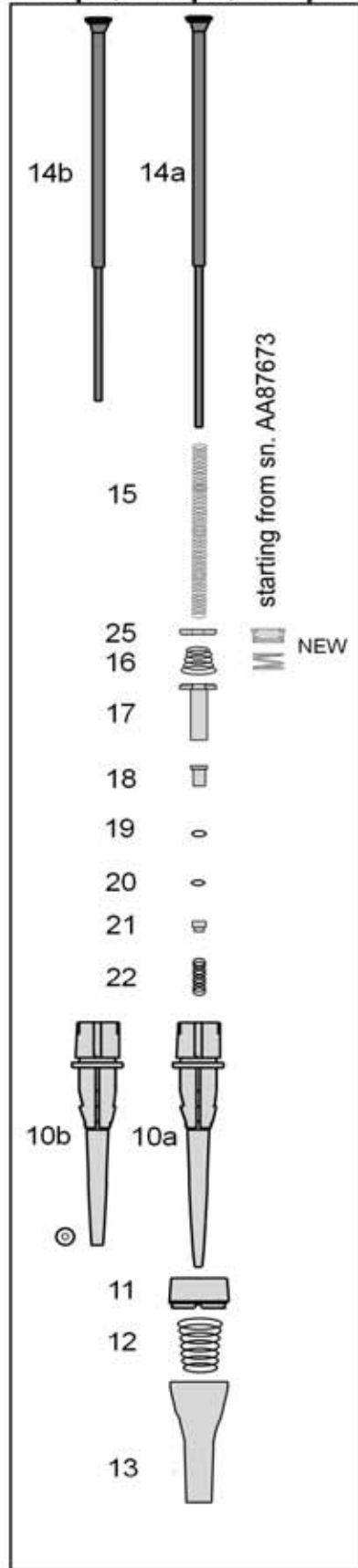
3. Handle



100µl



20µl, 25µl, 50µl



Tip cone assy

Finnpipette FOCUS Short Fixed Volume

Reference

Part name

On all models: (20µl, 25µl, 50µl, 100µl)

| | |
|----------|--|
| 10593480 | 1. Service Tool Digital |
| 1060220 | 2. Cap, dark blue Focus |
| 1061030 | 4. Snap-on handle piece, medium, dark blue |
| 1060400 | 6. Cogwheel Focus |
| 1132360 | 8. Tip ejector pusher spring 0,4x4x15 |
| 1061080 | 9a. Solid window left Focus |
| 1061090 | 9b. Solid window right Focus |
| 1060640 | 11. Tip ejector SCP upper part Focus |
| 1132180 | 12. Tip ejector spring 0,75x15,4x25 |
| 1060660 | 13. Tip ejector 100ul Focus short |
| 1132330 | 15. Piston Spring 0,4x4,2x110 |
| 1132190 | 16. Cover spring 0,7x11,8x12 |
| 1132620 | NEW 16. Cover spring 0,7x11,7x6,5 |

4601040

Finnpipette FOCUS Short Fixed 20ul

4601050

Finnpipette FOCUS Short Fixed 25ul

| | |
|----------|--------------------------------------|
| 2208600 | 3. Handle 20ul Fixed, Focus |
| 2208590 | 3. Handle 25ul Fixed, Focus |
| 2208450 | Tip cone assy 30ul, Focus short |
| 10603907 | 7. Tip ejector pusher 20ul Focus |
| 10603908 | 7. Tip ejector pusher 25ul Focus |
| 1060560 | 10a. Tip cone 10ul Focus short |
| 2208330 | 14a. Piston assy 3-30ul, Focus short |
| 1060600 | 17. Spring base 10/50ul Focus |
| 1060730 | 18. Support sleeve 50ul Focus short |
| 1033190 | 19. O-ring 1,8x1,2 EPDM |
| 1033110 | 20. O-ring 1.06x1.27 EPDM 70S |
| 10593500 | 21. Spring support 50ul |
| 1132340 | 22. Dash Spring 0,3x3,6x45 |
| 1060900 | 25. Cover grey 30ul |
| 1061400 | NEW 25. Cover new grey 30ul |

4601060

Finnpipette FOCUS Short Fixed 50ul

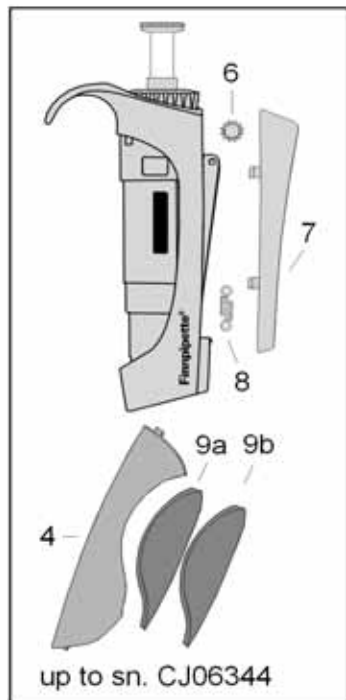
| | |
|----------|-------------------------------------|
| 2208580 | 3. Handle 50ul Fixed, Focus |
| 2208040 | Tip cone assy 50ul, Focus short |
| 10603909 | 7. Tip ejector pusher 50ul Focus |
| 1060570 | 10b. Tip cone 50ul Focus short |
| 1060690 | 14b. Piston 50ul Focus |
| 1060600 | 17. Spring base 10/50ul Focus |
| 1060730 | 18. Support sleeve 50ul Focus short |
| 1030500 | 19. O-ring 2,3x1,0 EPDM 70S |
| 1033060 | 20. O-ring 1,78x1,02 EPDM 70S |
| 10593500 | 21. Spring support 50ul |
| 1132000 | 22. Spring 0,3x3,6x20 |
| 1060890 | 25. Cover turquoise 50ul |
| 1061410 | NEW 25. Cover new turquoise 50ul |

4601070

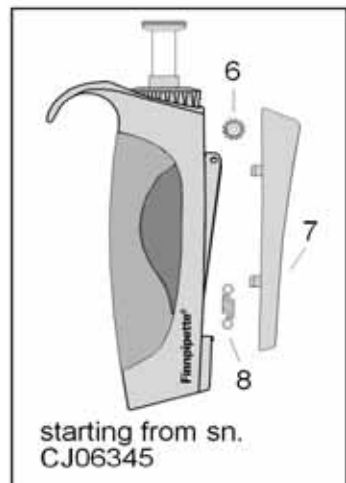
Finnpipette FOCUS Short Fixed 100ul

| | |
|----------|------------------------------------|
| 2208570 | 3. Handle 100ul Fixed, Focus |
| 2208050 | Tip cone assy 100ul, Focus short |
| 10603910 | 7. Tip ejector pusher 100ul Focus |
| 1060580 | 10. Tip cone 100/300ul Focus short |
| 1060700 | 14. Piston 100ul Focus |
| 1060610 | 17. Spring base 100ul Focus |
| 1030510 | 20. O-ring 2,6x1,3 EPDM 70S |
| 1060880 | 25. Cover yellow 100ul |
| 1061420 | NEW 25. Cover new yellow 100ul |

FP FOCUS Short
Fixed Volume



3. Handle

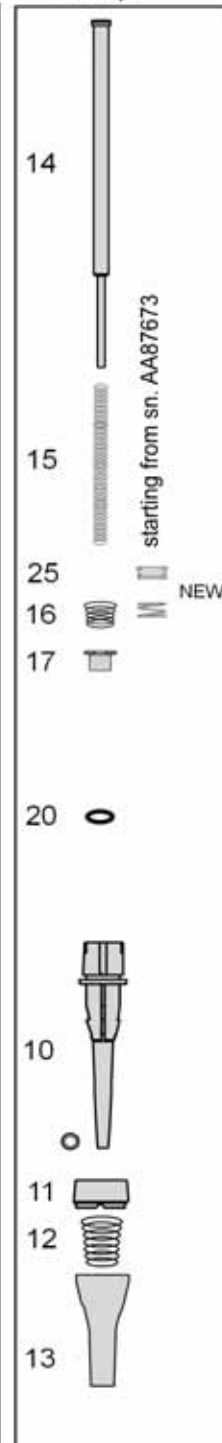
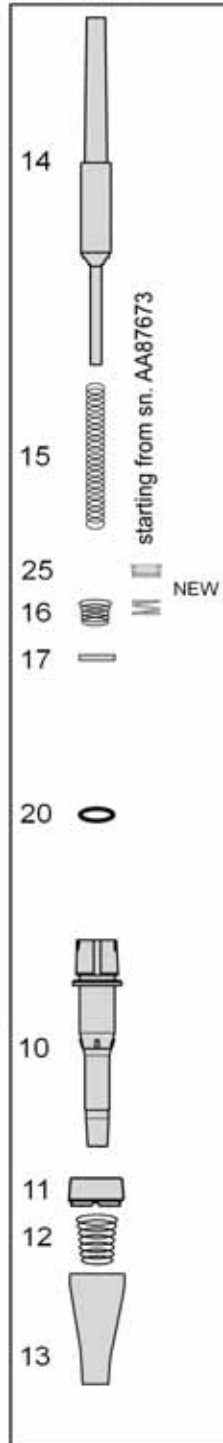
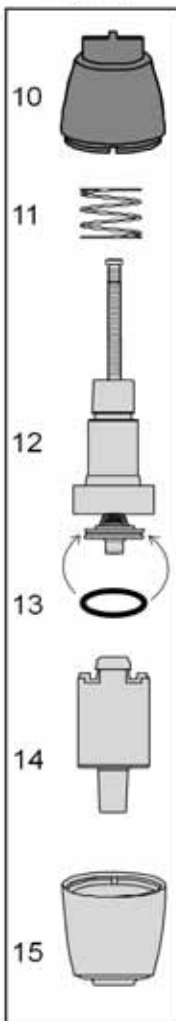
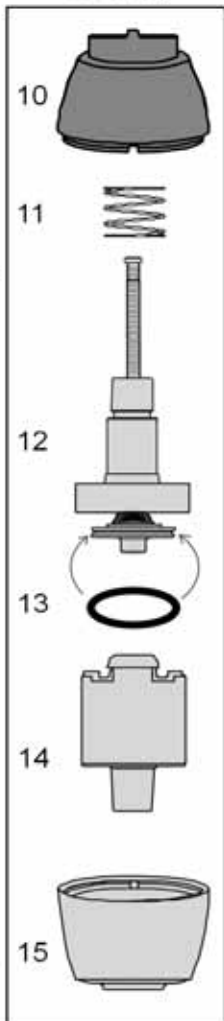


6-10ml

2-5ml

500µl
1000µl

200µl
250µl

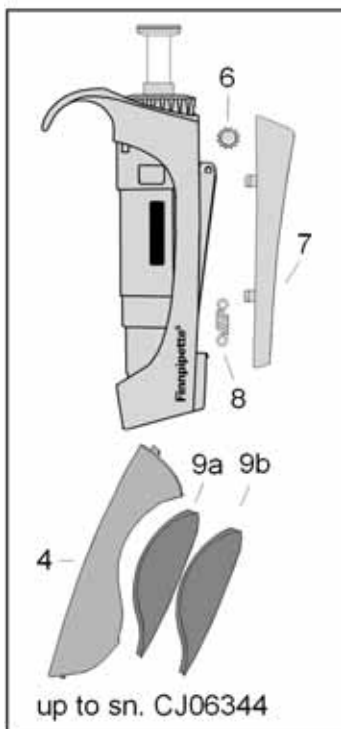


Tip cone assy

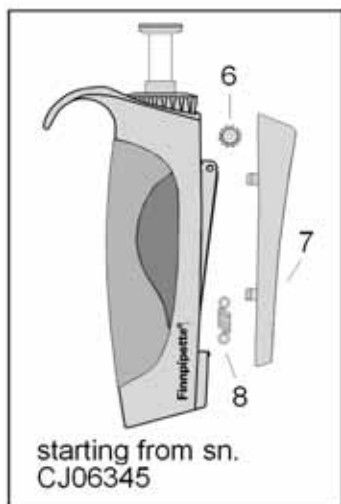
Finnpipette FOCUS Short Fixed Volume

| Reference | Part name |
|---|---|
| On all models: (200µl, 250µl, 500µl, 1000µl, 2ml, 3ml, 5ml, 10ml) | |
| 10593480 | 1. Service Tool Digital |
| 1060220 | 2. Cap, dark blue Focus |
| 1061030 | 4. Snap-on handle piece, medium, dark blue |
| 1060400 | 6. Cogwheel Focus |
| 1132360 | 8. Tip ejector pusher spring 0,4x4x15 |
| 1061080 | 9a. Solid window left Focus |
| 1061090 | 9b. Solid window right Focus |
| 4601080 | Finnpipette FOCUS Short Fixed 200ul |
| 4601090 | Finnpipette FOCUS Short Fixed 250ul |
| 2208560 | 3. Handle 200ul Fixed, Focus |
| 2208550 | 3. Handle 250ul Fixed, Focus |
| 2208060 | Tip cone assy 300ul, Focus short |
| 10603911 | 7. Tip ejector pusher 200ul Focus |
| 10603912 | 7. Tip ejector pusher 250ul Focus |
| 1060580 | 10. Tip cone 100/300ul Focus short |
| 1060640 | 11. Tip ejector SCP upper part Focus |
| 1132180 | 12. Tip ejector spring 0,75x15,4x25 |
| 1060660 | 13. Tip ejector 100ul Focus short |
| 1060750 | 14. Piston 300ul Focus short |
| 1132420 | 15. Piston Spring 0,6x6,5x110 |
| 1132400 | 16. Cover spring 0,7x12,1x17 |
| 1132620 | NEW 16. Cover spring 0,7x11,7x6,5 |
| 1060620 | 17. Spring base 300ul Focus |
| 1033180 | 20. O-ring 4,48x1,78 EPDM |
| 1061430 | NEW 25. Cover new orange 300ul |
| 4601100 | Finnpipette FOCUS Short Fixed 500ul |
| 4601110 | Finnpipette FOCUS Short Fixed 1000ul |
| 2208540 | 3. Handle 500ul Fixed, Focus |
| 2208530 | 3. Handle 1000ul Fixed, Focus |
| 2208070 | Tip cone assy 1000ul, Focus short |
| 10603913 | 7. Tip ejector pusher 500ul Focus |
| 10603914 | 7. Tip ejector pusher 1000ul Focus |
| 1060590 | 10. Tip cone 1000ul Focus short |
| 1060640 | 11. Tip ejector SCP upper part Focus |
| 1132180 | 12. Tip ejector spring 0,75x15,4x25 |
| 1060670 | 13. Tip ejector 1000ul Focus short |
| 1060710 | 14. Piston 1000ul Focus |
| 1132320 | 15. Piston Spring 0,45x5,2x60 |
| 1132400 | 16. Cover spring 0,7x12,1x17 |
| 1132620 | NEW 16. Cover spring 0,7x11,7x6,5 |
| 1060630 | 17. Spring base 1000ul Focus |
| 1030020 | 20. O-ring 8,73x1,78 EPDM 70S |
| 1061350 | NEW 25. Cover new blue 1000ul |
| 4601120 | Finnpipette FOCUS Short Fixed 2ml |
| 4601130 | Finnpipette FOCUS Short Fixed 3ml |
| 4601140 | Finnpipette FOCUS Short Fixed 5ml |
| 2208520 | 3. Handle 2ml Fixed, Focus |
| 2208510 | 3. Handle 3ml Fixed, Focus |
| 2208500 | 3. Handle 5ml Fixed, Focus |
| 2208470 | Tip cone assy 2-5ml Fixed, Focus |
| 10603915 | 7. Tip ejector pusher 2ml Focus |
| 10603916 | 7. Tip ejector pusher 3ml Focus |
| 10603917 | 7. Tip ejector pusher 5ml Focus |
| 1061060 | 10. Tip ejector upper part 5ml Focus dark blue |
| 1132390 | 11. Tip ejector spring 0,8x18,5x26 |
| 2208020 | 12. Piston assy 5ml, Focus |
| 1030230 | 13. O-ring 16x2,0 EPDM 70S |
| 1060790 | 14. Cylinder 5ml Focus |
| 1060810 | 15. Tip ejector lower part 5ml Focus |
| 4601150 | Finnpipette FOCUS Short Fixed 10ml |
| 2208490 | 3. Handle 10ml Fixed, Focus |
| 2208480 | Tip cone assy 6-10ml Fixed, Focus |
| 10603918 | 7. Tip ejector pusher 10ml Focus |
| 1061070 | 10. Tip ejector upper part 10ml Focus dark blue |
| 1132390 | 11. Tip ejector spring 0,8x18,5x26 |
| 2208160 | 12. Piston assy 10ml, Focus |
| 1033050 | 13. O-ring 23,47x2,62 EPDM 70S |
| 1060510 | 14. Cylinder 10ml Focus |
| 1060530 | 15. Tip ejector lower part 10ml Focus |

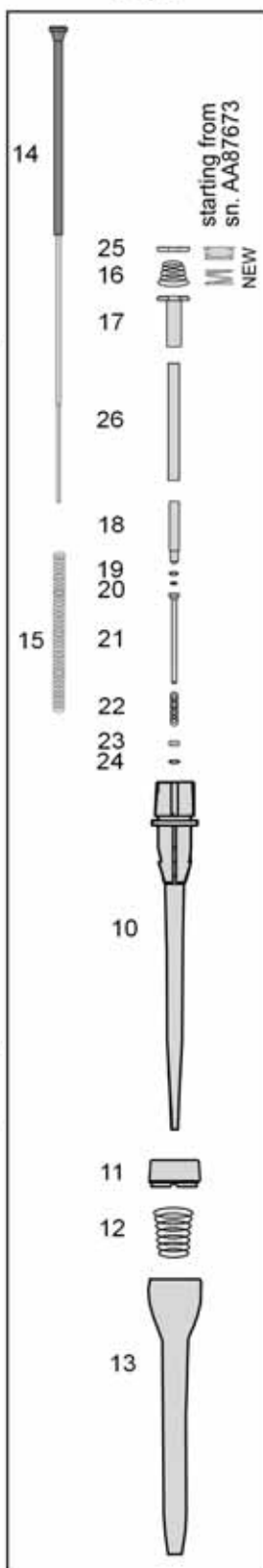
FP FOCUS STD Fixed Volume



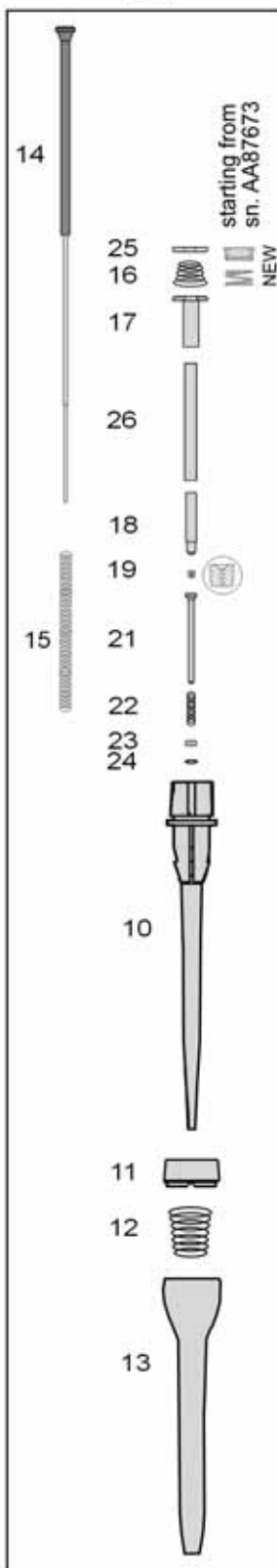
3. Handle



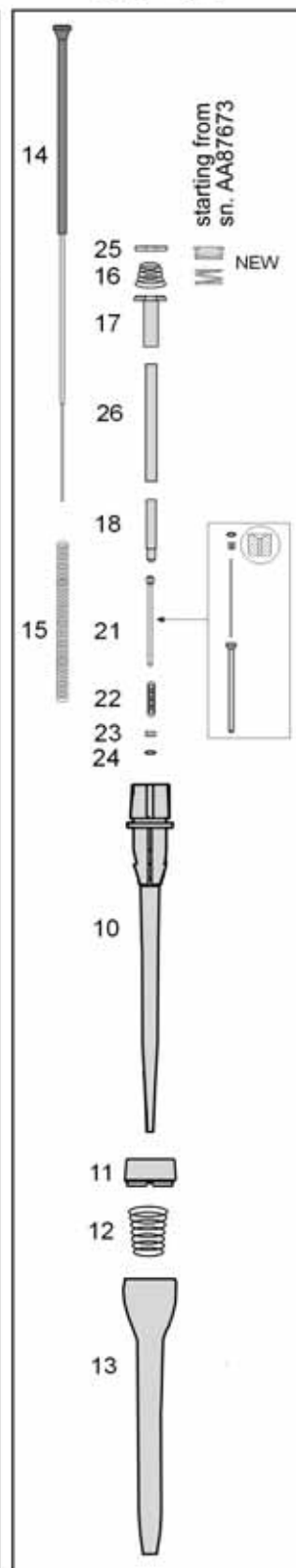
10µl



5µl



1µl, 2µl

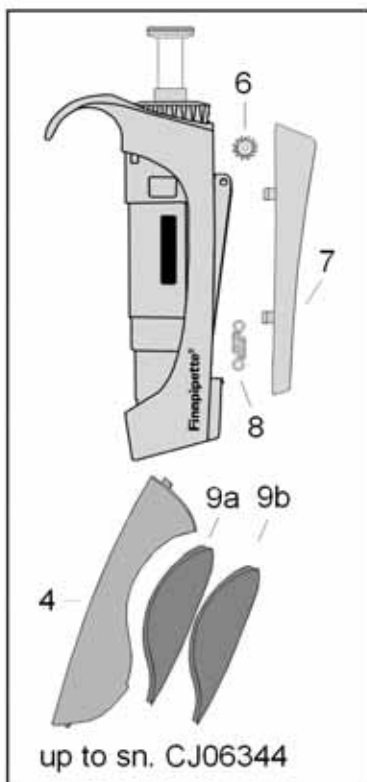


Tip cone assy

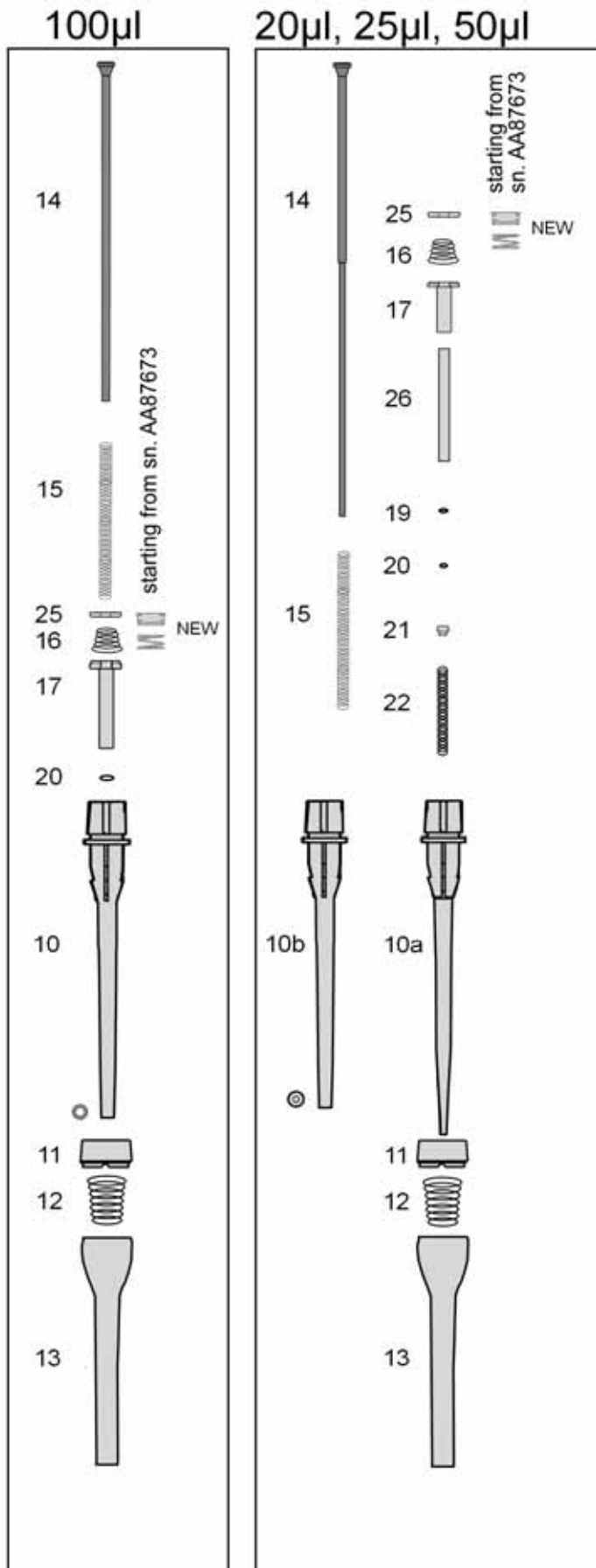
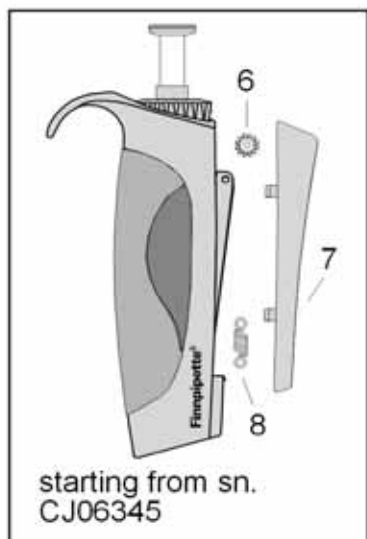
Finnpipette FOCUS STD Fixed Volume

| Reference | Part name |
|--|---|
| On all models: (1µl, 2µl, 5µl, 10µl) | |
| 10593480 | 1. Service Tool Digital |
| 1060220 | 2. Cap, dark blue Focus |
| 1061030 | 4. Snap-on handle piece, medium, dark blue |
| 1060400 | 6. Cogwheel Focus |
| 1132360 | 8. Tip ejector pusher spring 0,4x4x15 |
| 1061080 | 9a. Solid window left Focus |
| 1061090 | 9b. Solid window right Focus |
| 1062000 | 10. Tip cone 10ul STD |
| 1060640 | 11. Tip ejector SCP upper part Focus |
| 1132180 | 12. Tip ejector spring 0,75x15,4x25 |
| 1062040 | 13. Tip ejector 10ul STD |
| 1132330 | 15. Piston Spring 0,4x4,2x110 |
| 1132190 | 16. Cover spring 0,7x11,8x12 |
| 1132620 | NEW 16. Cover spring 0,7x11,7x6,5 |
| 1060600 | 17. Spring base 10/50ul Focus |
| 1060740 | 18. O-ring tube 10ul Focus |
| 1131800 | 22. Dash Spring 0,3x2,7x12 |
| 10593360 | 23. Spring Support |
| 1030170 | 24. O-ring 1,6x1,0 EPDM 70S |
| 1060040 | 26. Tube |
| 4601160 | Finnpipette FOCUS STD Fixed 1ul micro |
| 4601170 | Finnpipette FOCUS STD Fixed 2ul micro |
| 2208640 | 3. Handle 1ul Fixed, Focus |
| 2208630 | 3. Handle 2ul Fixed, Focus |
| 2209050 | Tip cone assy 0.3-3ul, Focus STD |
| 10603903 | 7. Tip ejector pusher 1ul Focus |
| 10603904 | 7. Tip ejector pusher 2ul Focus |
| 2208890 | 14. Piston assy 0.3-3ul, Focus STD |
| 2208460 | 21. Sealing assy 0.3-3ul, Focus |
| 1060930 | 25. Cover orange 3ul |
| 1061370 | NEW 25. Cover new natural 3ul |
| 4601180 | Finnpipette FOCUS STD Fixed 5ul micro |
| 2208620 | 3. Handle 5ul Fixed, Focus |
| 2209040 | Tip cone assy 0.5-5ul, Focus STD |
| 10603905 | 7. Tip ejector pusher 5ul Focus |
| 2208900 | 14. Piston assy 0.5-5ul, Focus STD |
| 1030570 | 19. Sealing 2x2mm |
| 10593290 | 21. Sealing Casing |
| 1060920 | 25. Cover lila 5ul |
| 1061380 | NEW 25. Cover new lila 5ul |
| 4601190 | Finnpipette FOCUS STD Fixed 10ul micro |
| 2208610 | 3. Handle 10ul Fixed, Focus |
| 2209030 | Tip cone assy 1-10ul Micro, Focus STD |
| 10603906 | 7. Tip ejector pusher 10ul Focus |
| 2208910 | 14. Piston assy 1-10ul, Focus STD |
| 1030380 | 19. O-ring 2x1 EPDM 70S |
| 1030060 | 20. O-ring 0,78x1,02 EPDM 70S |
| 10593290 | 21. Sealing Casing |
| 1060910 | 25. Cover pink 10ul |
| 1061390 | NEW 25. Cover new pink 10ul |

FP FOCUS STD Fixed volume



3. Handle



Tip cone assy

Finnpipette FOCUS STD Fixed Volume

Reference

Part name

On all models: (20µl, 25µl, 50µl, 100µl)

| | |
|----------|--|
| 10593480 | 1. Service Tool Digital |
| 1060220 | 2. Cap, dark blue Focus |
| 1061030 | 4. Snap-on handle piece, medium, dark blue |
| 1060400 | 6. Cogwheel Focus |
| 1132360 | 8. Tip ejector pusher spring 0,4x4x15 |
| 1061080 | 9a. Solid window left Focus |
| 1061090 | 9b. Solid window right Focus |
| 1060640 | 11. Tip ejector SCP upper part Focus |
| 1132180 | 12. Tip ejector spring 0,75x15,4x25 |
| 1062050 | 13. Tip ejector 100ul STD |
| 1132330 | 15. Piston Spring 0,4x4,2x110 |
| 1132190 | 16. Cover spring 0,7x11,8x12 |
| 1132620 | NEW 16. Cover spring 0,7x11,7x6,5 |

4601200

Finnpipette FOCUS STD Fixed 20ul

4601210

Finnpipette FOCUS STD Fixed 25ul

| | |
|----------|-----------------------------------|
| 2208600 | 3. Handle 20ul Fixed, Focus |
| 2208590 | 3. Handle 25ul Fixed, Focus |
| 2209000 | Tip cone assy 3-30ul, Focus STD |
| 10603907 | 7. Tip ejector pusher 20ul Focus |
| 10603908 | 7. Tip ejector pusher 25ul Focus |
| 1062000 | 10a. Tip cone 10ul STD |
| 2208920 | 14. Piston assy 3-30ul, Focus STD |
| 1060600 | 17. Spring base 10/50ul Focus |
| 1033190 | 19. O-ring 1,8x1,2 EPDM |
| 1033110 | 20. O-ring 1.06x1.27 EPDM 70S |
| 10593500 | 21. Spring support 50ul |
| 1132340 | 22. Dash Spring 0,3x3,6x45 |
| 1060900 | 25. Cover grey 30ul |
| 1061400 | NEW 25. Cover new grey 30ul |
| 1060040 | 26. Tube |

4601220

Finnpipette FOCUS STD Fixed 50ul

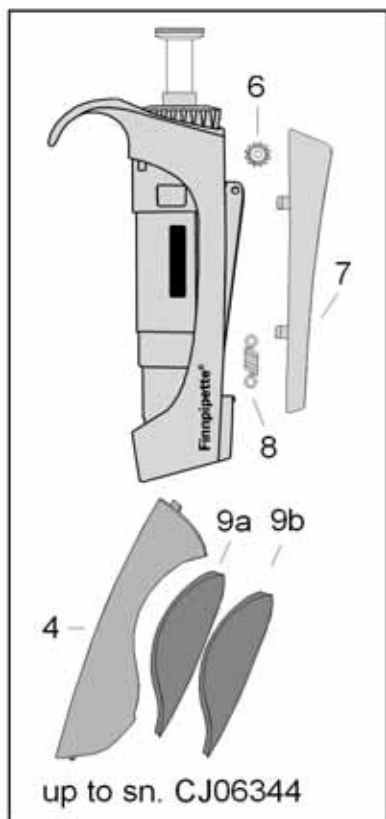
| | |
|----------|----------------------------------|
| 2208580 | 3. Handle 50ul Fixed, Focus |
| 2208980 | Tip cone assy 5-50ul, Focus STD |
| 10603909 | 7. Tip ejector pusher 50ul Focus |
| 1062010 | 10b. Tip cone 50ul STD |
| 1062070 | 14. Piston 50ul Focus STD |
| 1060600 | 17. Spring base 10/50ul Focus |
| 1030500 | 19. O-ring 2,3x1,0 EPDM 70S |
| 1033060 | 20. O-ring 1,78x1,02 EPDM 70S |
| 10593500 | 21. Spring support 50ul |
| 1132000 | 22. Spring 0,3x3,6x20 |
| 1060890 | 25. Cover turquoise 50ul |
| 1061410 | NEW 25. Cover new turquoise 50ul |
| 1060040 | 26. Tube |

4601230

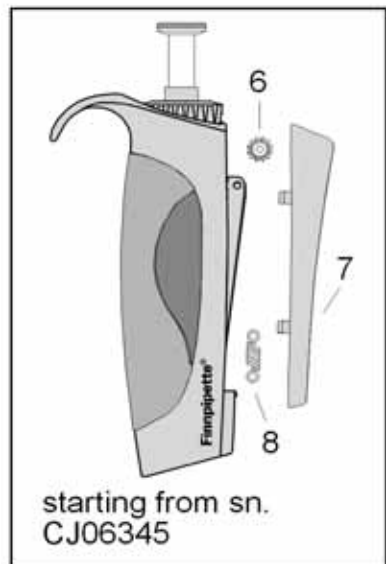
Finnpipette FOCUS STD Fixed 100ul

| | |
|----------|-----------------------------------|
| 2208570 | 3. Handle 100ul Fixed, Focus |
| 2208970 | Tip cone assy 10-100ul, Focus STD |
| 10603910 | 7. Tip ejector pusher 100ul Focus |
| 1062020 | 10. Tip cone 100ul STD |
| 1061280 | 14. Piston 100ul Focus STD |
| 1060610 | 17. Spring base 100ul Focus |
| 1030510 | 20. O-ring 2,6x1,3 EPDM 70S |
| 1060880 | 25. Cover yellow 100ul |
| 1061420 | NEW 25. Cover new yellow 100ul |

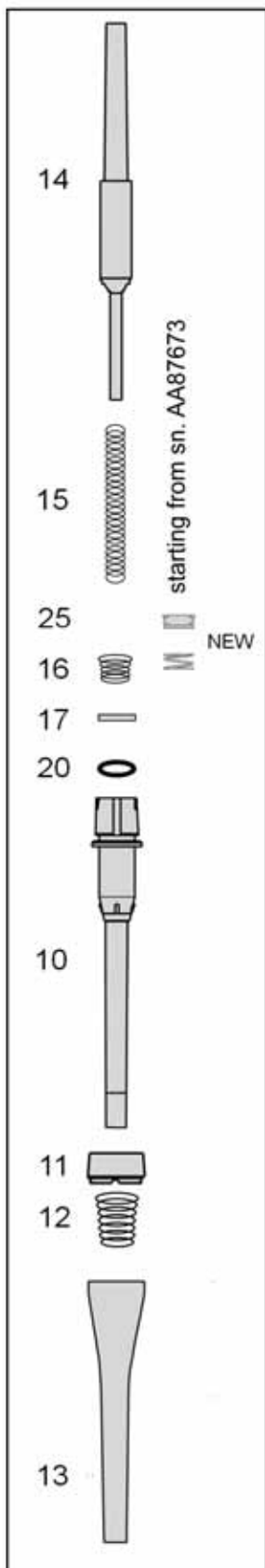
FP FOCUS STD Fixed Volume



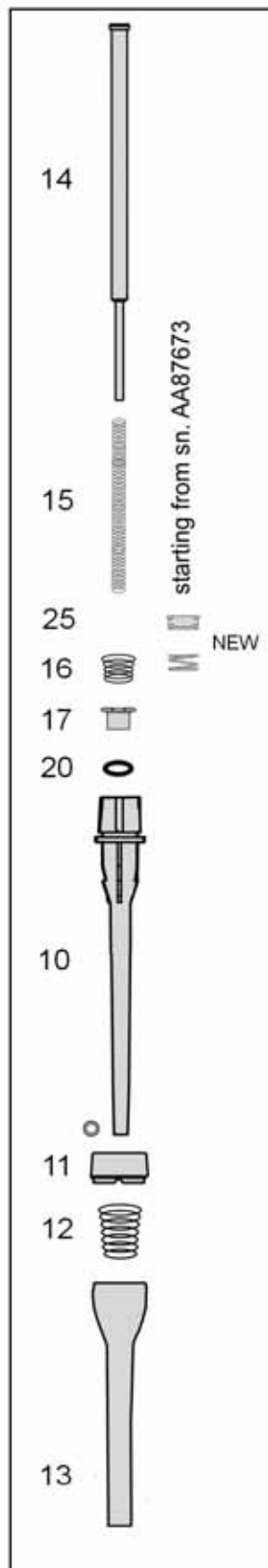
3. Handle



500µl
1000µl



200µl
250µl



Tip cone assy

Finnpipette FOCUS STD Fixed Volume

Reference

Part name

On all models: (200µl, 250µl, 500µl, 1000µl)

| | |
|----------|--|
| 10593480 | 1. Service Tool Digital |
| 1060220 | 2. Cap, dark blue Focus |
| 1061030 | 4. Snap-on handle piece, medium, dark blue |
| 1060400 | 6. Cogwheel Focus |
| 1132360 | 8. Tip ejector pusher spring 0,4x4x15 |
| 1061080 | 9a. Solid window left Focus |
| 1061090 | 9b. Solid window right Focus |

4601240

Finnpipette FOCUS STD Fixed 200ul

4601250

Finnpipette FOCUS STD Fixed 250ul

| | |
|----------|--------------------------------------|
| 2208560 | 3. Handle 200ul Fixed, Focus |
| 2208550 | 3. Handle 250ul Fixed, Focus |
| 2208960 | Tip cone assy 30-300ul, Focus STD |
| 10603911 | 7. Tip ejector pusher 200ul Focus |
| 10603912 | 7. Tip ejector pusher 250ul Focus |
| 1062020 | 10. Tip cone 100ul STD |
| 1060640 | 11. Tip ejector SCP upper part Focus |
| 1132180 | 12. Tip ejector spring 0,75x15,4x25 |
| 1062050 | 13. Tip ejector 100ul STD |
| 1061290 | 14. Piston 300ul Focus STD |
| 1132420 | 15. Piston Spring 0,6x6,5x110 |
| 1132400 | 16. Cover spring 0,7x12,1x17 |
| 1132620 | NEW 16. Cover spring 0,7x11,7x6,5 |
| 1060620 | 17. Spring base 300ul Focus |
| 1033180 | 20. O-ring 4,48x1,78 EPDM |
| 1061430 | NEW 25. Cover new orange 300ul |

4601260

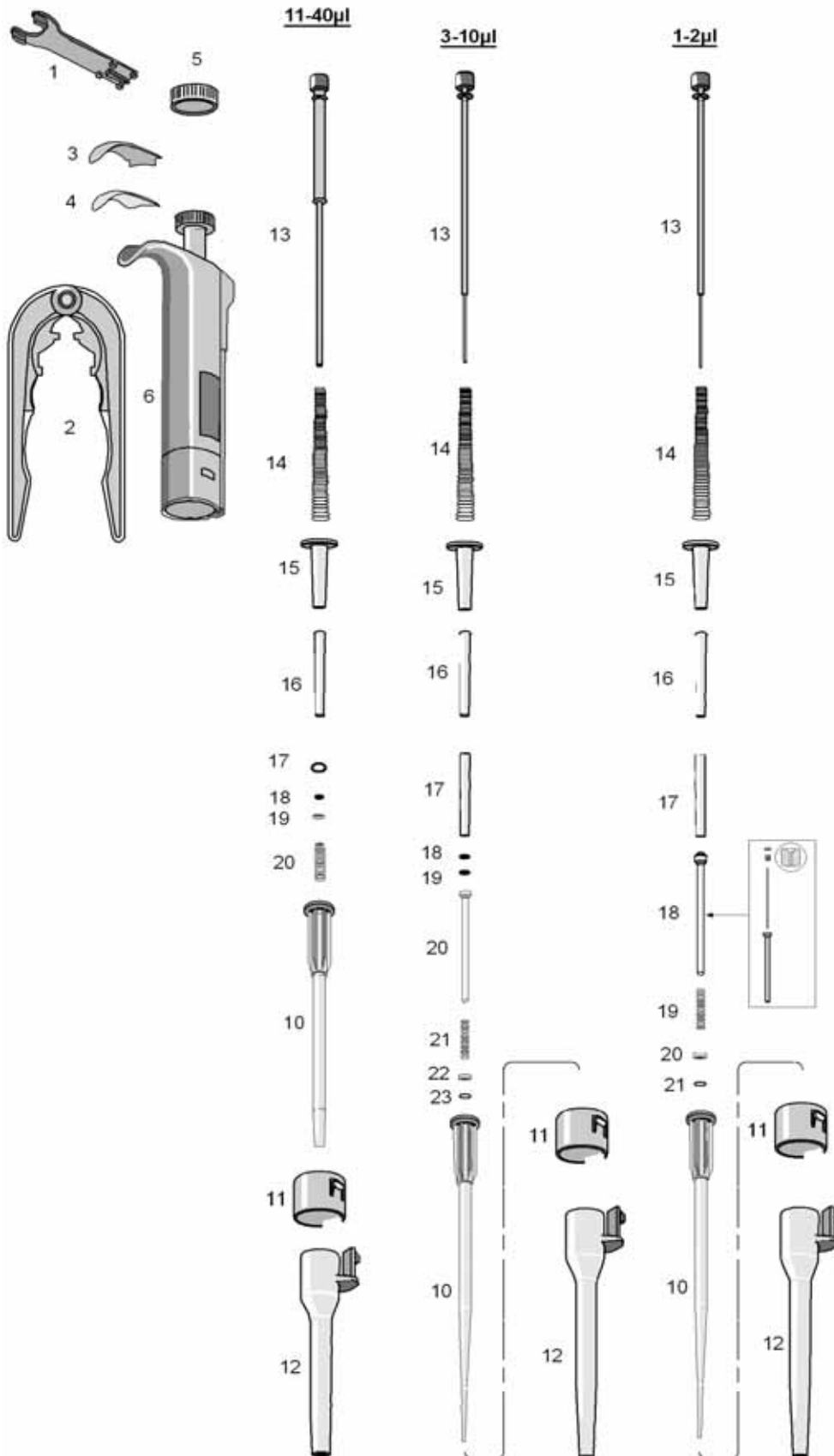
Finnpipette FOCUS STD Fixed 500ul

4601270

Finnpipette FOCUS STD Fixed 1000ul

| | |
|----------|--------------------------------------|
| 2208540 | 3. Handle 500ul Fixed, Focus |
| 2208530 | 3. Handle 1000ul Fixed, Focus |
| 2208950 | Tip cone assy 100-1000ul, Focus STD |
| 10603913 | 7. Tip ejector pusher 500ul Focus |
| 10603914 | 7. Tip ejector pusher 1000ul Focus |
| 1062030 | 10. Tip cone 1000ul STD |
| 1060640 | 11. Tip ejector SCP upper part Focus |
| 1132180 | 12. Tip ejector spring 0,75x15,4x25 |
| 1062060 | 13. Tip ejector 1000ul STD |
| 1060710 | 14. Piston 1000ul Focus |
| 1132320 | 15. Piston Spring 0,45x5,2x60 |
| 1132400 | 16. Cover spring 0,7x12,1x17 |
| 1132620 | NEW 16. Cover spring 0,7x11,7x6,5 |
| 1060630 | 17. Spring base 1000ul Focus |
| 1030020 | 20. O-ring 8,73x1,78 EPDM 70S |
| 1061350 | NEW 25. Cover new blue 1000ul |

Finnpipette Fixed Volume 1 - 40 μ l

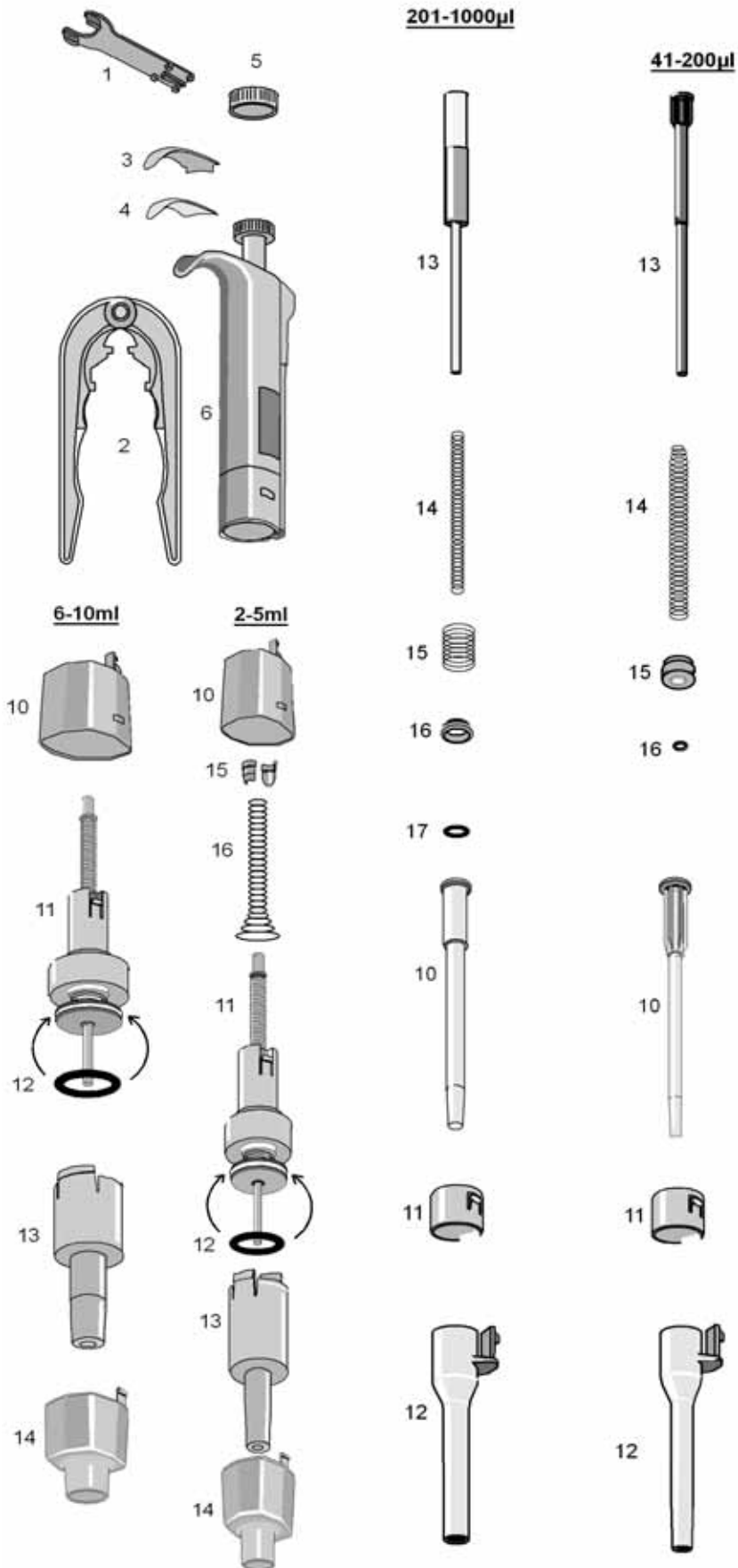


Finnpipette SCP Spare Parts 1.Jan.2010

Finnpipette Digital Fixed Volume 1 - 40 µl

| Reference | Part name |
|----------------|---|
| On all models: | |
| 10593480 | 1. Service Tool Digital |
| 2900510 | 2. Maintenance Pliers, Digital |
| 10593050 | 3. Label Window Digital |
| 1527200 | 4. Safety label silver Digital |
| 10590520 | 5. Cap dark blue, Digital |
| 10592590 | 5. Soft cap, dark blue Digital |
| 4501000 | Finnpipette Digital Fixed 1ul micro |
| 4501010 | Finnpipette Digital Fixed 2ul micro |
| 2206200 | 6. Handle 1ul Fixed, Digital |
| 2206210 | 6. Handle 2ul Fixed, Digital |
| 10593090 | 10. Tip Cone 20ul |
| 10593080 | 11. Adapter SCP Digital |
| 10593120 | 12. Tip Ejector 10ul |
| 2205700 | 13. Piston assy 2ul, Digital |
| 1131810 | 14. Piston Spring 0,5x6,9x70 |
| 10593340 | 15. Spring Support |
| 10593330 | 16. O-ring tube |
| 10593300 | 17. O-ring tube 2ul |
| 2205730 | 18. Sealing assy 2ul, Digital |
| 1131800 | 19. Dash Spring 0,3x2,7x12 |
| 10593360 | 20. Spring Support |
| 1030170 | 21. O-ring 1,6x1,0 EPDM 70S |
| 4501020 | Finnpipette Digital Fixed 5ul micro |
| 4501030 | Finnpipette Digital Fixed 10ul micro |
| 2206220 | 6. Handle 5ul Fixed, Digital |
| 2206230 | 6. Handle 10ul Fixed, Digital |
| 10593090 | 10. Tip Cone 20ul |
| 10593080 | 11. Adapter SCP Digital |
| 10593120 | 12. Tip Ejector 10ul |
| 2205710 | 13. Piston assy 10ul, Digital |
| 1131810 | 14. Piston Spring 0,5x6,9x70 |
| 10593340 | 15. Spring Support |
| 10593330 | 16. O-ring tube |
| 10593310 | 17. O-ring tube 10ul |
| 1030170 | 18. O-ring 1,6x1,0 EPDM 70S |
| 1030060 | 19. O-ring 0,78x1,02 EPDM 70S |
| 10593290 | 20. Sealing Casing |
| 1131800 | 21. Dash Spring 0,3x2,7x12 |
| 10593360 | 22. Spring Support |
| 1030170 | 23. O-ring 1,6x1,0 EPDM 70S |
| 4501040 | Finnpipette Digital Fixed 20ul |
| 4501050 | Finnpipette Digital Fixed 25ul |
| 2206240 | 6. Handle 20ul Fixed, Digital |
| 2206250 | 6. Handle 25ul Fixed, Digital |
| 10593430 | 10. Tip Cone 40ul Digital |
| 10593080 | 11. Adapter SCP Digital |
| 10593110 | 12. Tip Ejector 200ul |
| 2205720 | 13. Piston assy 40ul, Digital |
| 1131810 | 14. Piston Spring 0,5x6,9x70 |
| 10593340 | 15. Spring Support |
| 10593330 | 16. O-ring tube |
| 1030380 | 17. O-ring 2x1 EPDM 70S |
| 1030170 | 18. O-ring 1,6x1,0 EPDM 70S |
| 10593360 | 19. Spring Support |
| 1131880 | 20. Spring 0,3x3,4x20 |

Finnpipette Fixed Volume 41 - 10000 μ l



Finnpipette SCP Spare Parts 1.Jan.2010

Finnpipette Digital Fixed Volume 41 - 10000 µl

| Reference | Part name |
|----------------|--|
| On all models: | |
| 10593480 | 1. Service Tool Digital |
| 2900510 | 2. Maintenance Pliers, Digital |
| 10593050 | 3. Label Window Digital |
| 1527200 | 4. Safety label silver Digital |
| 10590520 | 5. Cap dark blue, Digital |
| 10592590 | 5. Soft cap, dark blue Digital |
| 4501060 | Finnpipette Digital Fixed 50ul |
| 4501070 | Finnpipette Digital Fixed 100ul |
| 4501080 | Finnpipette Digital Fixed 200ul |
| 2206260 | 6. Handle 50ul Fixed, Digital |
| 2206270 | 6. Handle 100ul Fixed, Digital |
| 2206280 | 6. Handle 200ul Fixed, Digital |
| 10593420 | 10. Tip Cone 200ul Digital |
| 10593080 | 11. Adapter SCP Digital |
| 10593110 | 12. Tip Ejector 200ul |
| 1053840 | 13. Piston 200ul |
| 1130510 | 14. Piston Spring 0,6x6,9x65 |
| 1053860 | 15. O-ring Cap 200ul |
| 1030160 | 16. O-ring 3.68x1.78 EPDM 70S |
| 4501090 | Finnpipette Digital Fixed 250ul |
| 4501100 | Finnpipette Digital Fixed 500ul |
| 4501110 | Finnpipette Digital Fixed 1000ul |
| 2206290 | 6. Handle 250ul Fixed, Digital |
| 2206300 | 6. Handle 500ul Fixed, Digital |
| 2206310 | 6. Handle 1000ul Fixed, Digital |
| 10593410 | 10. Tip Cone 1000ul Digital |
| 10593080 | 11. Adapter SCP Digital |
| 10593100 | 12. Tip Ejector 1000ul |
| 10589450 | 13. Piston 1000ul |
| 1130560 | 14. Piston Spring 0,5x4,2x75 |
| 1130550 | 15. O-Ring Spring 0,8x13,7x15 |
| 1054260 | 16. O-ring Cap 1000ul |
| 1030020 | 17. O-ring 8,73x1,78 EPDM 70S |
| 4501120 | Finnpipette Digital Fixed 2ml |
| 4501130 | Finnpipette Digital Fixed 3ml |
| 4501140 | Finnpipette Digital Fixed 5ml |
| 2206320 | 6. Handle 2ml Fixed, Digital |
| 2206330 | 6. Handle 3ml Fixed, Digital |
| 2206340 | 6. Handle 5ml Fixed, Digital |
| 10593150 | 10. Tip Ejector, upper part 5ml Digital |
| 2205840 | 11. Piston assy 5ml, Digital |
| 1030230 | 12. O-ring 16x2,0 EPDM 70S |
| 10593130 | 13. Cylinder 5ml Digital |
| 10593160 | 14. Tip Ejector, lower part 5ml Digital |
| 2207890 | 15. Locking pieces (2pcs) |
| 1131940 | 16. Piston Spring 0,75x8x80 |
| 4501150 | Finnpipette Digital Fixed 10ml |
| 2206350 | 6. Handle 10ml Fixed, Digital |
| 10593190 | 10. Tip Ejector, upper part 10ml Digital |
| 2205850 | 11. Piston assy 2-10ml, Digital |
| 1033050 | 12. O-ring 23,47x2,62 EPDM 70S |
| 10593440 | 13. Cylinder 10ml Digital |
| 10593200 | 14. Tip Ejector, lower part 10ml Digital |

Finnpipette SCP Spare Parts 1.Jan.2010

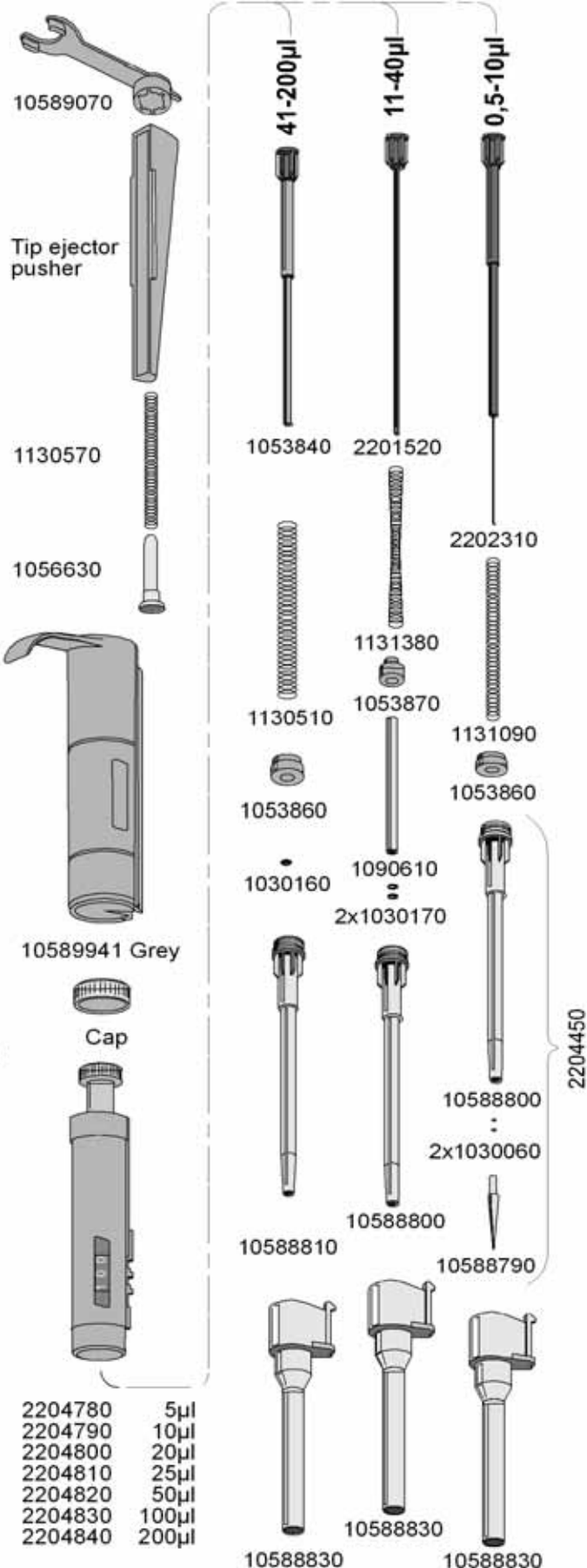
FP Colour Fixed Volume 0.5-200µl

TIP EJECTOR PUSHER

| | | |
|--------|----------|-------------|
| 5 µl | 10588785 | Turquoise |
| 10 µl | 10589032 | Orange |
| 20 µl | 10589479 | Black |
| 25 µl | 10589591 | Pink-Violet |
| 50 µl | 10588775 | Dark Green |
| 100 µl | 10588765 | Blue |
| 200 µl | 10589571 | Red |

CAP

| | | |
|--------|----------|-------------|
| 5 µl | 10589830 | Turquoise |
| 10 µl | 1057490 | Orange |
| 20 µl | 1056150 | Black |
| 25 µl | 10589810 | Pink-Violet |
| 50 µl | 10589820 | Dark Green |
| 100 µl | 1057510 | Blue |
| 200 µl | 10589780 | Red |



Finnpipette SCP Spare Parts 1.Jan.2010

FP Colour Fixed Volume 0.5 - 200µl

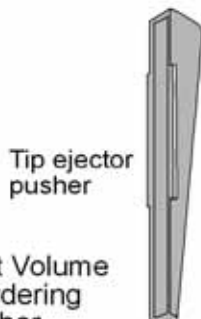
| Reference | Part name |
|-----------------|--|
| On all models: | |
| 10589070 | Service tool, Colour |
| 1130570 | Tip Ejector Pusher Spring 0,5x4,6x58 |
| 1056630 | Spring support |
| 10589941 | Handle cover grey Fixed, use code 10589940 |
| 40280500 | Finnpipette Colour Fixed 5ul |
| 10588785 | Tip ejector pusher 5ul, Colour |
| 10589830 | Cap turquoise, Digital |
| 2204780 | Handle core 5ul Fixed, Colour |
| 40280510 | Finnpipette Colour Fixed 10ul |
| 10589032 | Tip ejector pusher, 10ul |
| 1057490 | Cap, orange Digital |
| 2204790 | Handle core 10ul Fixed, Colour |
| 2202310 | Piston assy 10ul, SCP Colour |
| 1131090 | Piston Spring 0,6x6,9x55 |
| 1053860 | O-ring Cap 200ul |
| 10588800 | Tip Cone 0.5-40ul |
| 1030060 | O-ring 0,78x1,02 EPDM 70S |
| 10588790 | Lower Tip Cone 0.5-5ul |
| 2204450 | Tip cone assy 10ul, Colour |
| 10588830 | Tip Ejector 0.5-200ul |
| 40280520 | Finnpipette Colour Fixed 20ul |
| 10589479 | Tip Ejector Pusher, 20ul |
| 1056150 | Cap black, Colour |
| 2204800 | Handle core 20ul Fixed, Colour |
| 40280530 | Finnpipette Colour Fixed 25ul |
| 10589591 | Tip Ejector Pusher, 25ul |
| 10589810 | Cap pink, Digital |
| 2204810 | Handle core 25ul Fixed, Colour |
| 2201520 | Piston 5-40ul, Colour |
| 1131380 | Piston Spring 0,4x4,8x62 |
| 1053870 | O-ring Cap 40ul |
| 1090610 | Piston tube 40ul |
| 1030170 | O-ring 1,6x1,0 EPDM 70S |
| 10588800 | Tip Cone 0.5-40ul |
| 10588830 | Tip Ejector 0.5-200ul |
| 40280540 | Finnpipette Colour Fixed 50ul |
| 10588775 | Tip Ejector Pusher, 50ul |
| 10589820 | Cap dark green, Digital |
| 2204820 | Handle core 50ul Fixed, Colour |
| 40280550 | Finnpipette Colour Fixed 100ul |
| 10588765 | Tip Ejector Pusher, 100ul |
| 1057510 | Cap, blue Digital |
| 2204830 | Handle core 100ul Fixed, Colour |
| 40280560 | Finnpipette Colour Fixed 200ul |
| 10589571 | Tip Ejector Pusher, 200ul |
| 10589780 | Cap, red Digital |
| 2204840 | Handle core 200ul Fixed, Colour |
| 1053840 | Piston 200ul |
| 1130510 | Piston Spring 0,6x6,9x65 |
| 1053860 | O-ring Cap 200ul |
| 1030160 | O-ring 3.68x1.78 EPDM 70S |
| 10588810 | Tip Cone 40-200ul |
| 10588830 | Tip Ejector 0.5-200ul |

FP Colour Fixed Volume 201-5000µl

TIP EJECTOR PUSHER

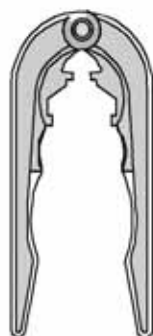
| | | |
|---------|----------|-------------|
| 250 µl | 10589581 | Lila-Violet |
| 500 µl | 10588755 | Yellow |
| 1000 µl | 10589561 | Dark Grey |
| 5000 µl | 10590531 | Dark blue |

Please state the exact Volume of the Pipette when ordering a new Tip Ejector Pusher

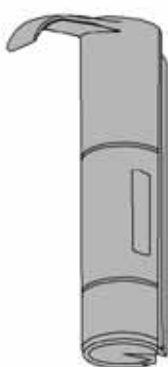
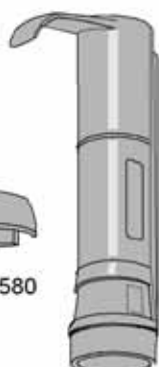


1130570

1056630



10590580



CAP

| | | |
|---------|----------|-------------|
| 250 µl | 10589800 | Lila-Violet |
| 500 µl | 10589790 | Yellow |
| 1000 µl | 10589840 | Dark Grey |
| 5000 µl | 10590520 | Dark blue |



Cap



Please state the exact Volume of the Pipette when ordering a new Handle Mechanism

| | |
|---------|---------|
| 2204840 | 200µl |
| 2204850 | 250µl |
| 2204860 | 500µl |
| 2204870 | 1000µl |
| 2205510 | 5000 µl |



1030230



10590540



10590600

201-1000µl



10589450



1130560



1130550



1054260



1030020



10588820



10588840

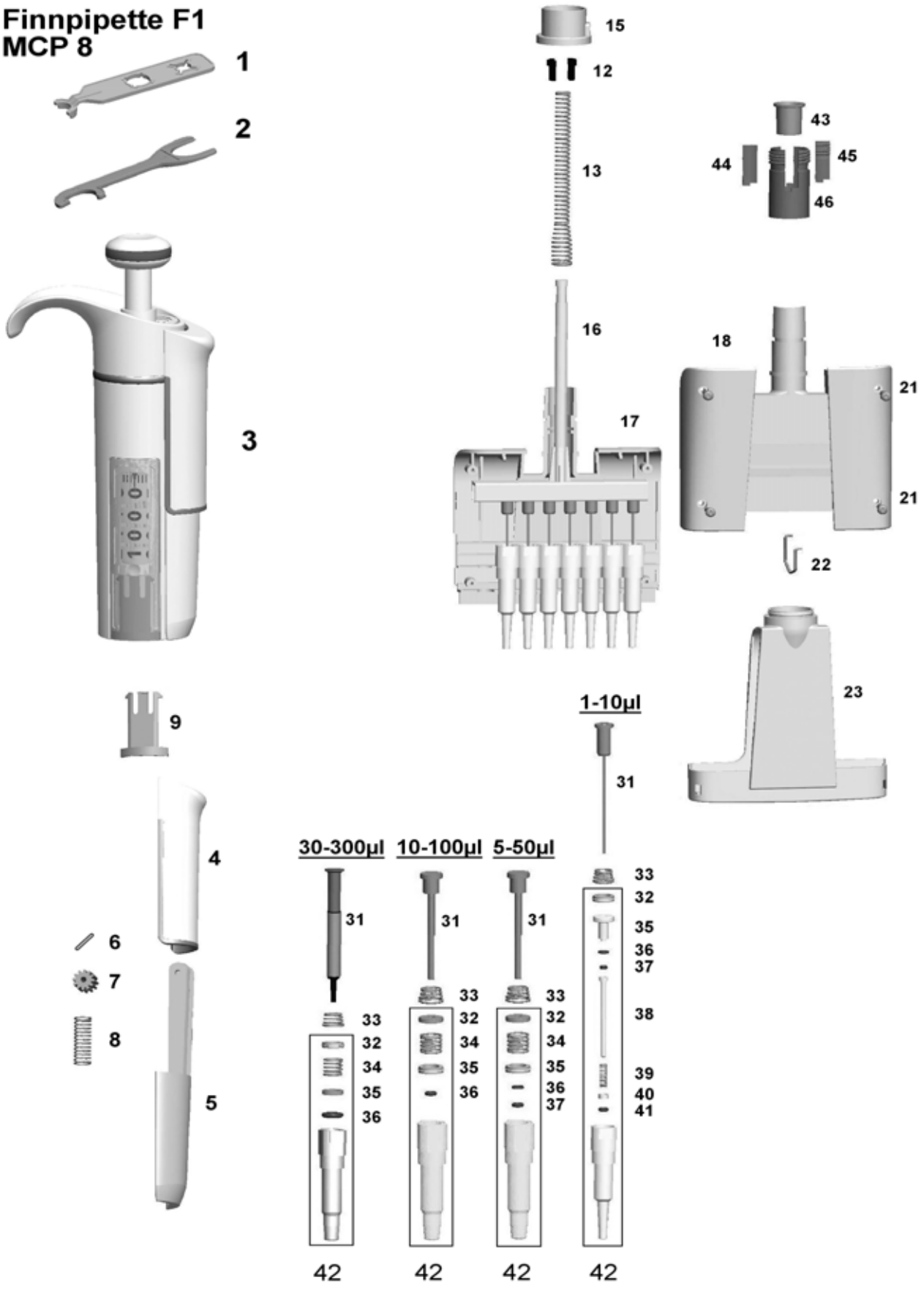
Finnpipette SCP Spare Parts 1.Jan.2010

FP Colour Fixed Volume 201 - 5000µl

| Reference | Part name |
|-----------------|--|
| On all models: | |
| 10589070 | Service tool, Colour |
| 1130570 | Tip Ejector Pusher Spring 0,5x4,6x58 |
| 1056630 | Spring support |
| 40280570 | Finnpipette Colour Fixed 250ul |
| 10589581 | Tip Ejector Pusher, 250ul |
| 10589800 | Cap lila, Digital |
| 2204850 | Handle core 250ul Fixed, Colour |
| 10589941 | Handle cover grey Fixed, use code 10589940 |
| 10589450 | Piston 1000ul |
| 1130560 | Piston Spring 0,5x4,2x75 |
| 1130550 | O-Ring Spring 0,8x13,7x15 |
| 1054260 | O-ring Cap 1000ul |
| 1030020 | O-ring 8,73x1,78 EPDM 70S |
| 10588820 | Tip Cone 200-1000ul |
| 10588840 | Tip Ejector 200-1000ul |
| 40280580 | Finnpipette Colour Fixed 500ul |
| 10588755 | Tip Ejector Pusher, 500ul |
| 10589790 | Cap yellow, Digital |
| 2204860 | Handle core 500ul Fixed, Colour |
| 10589941 | Handle cover grey Fixed, use code 10589940 |
| 10589450 | Piston 1000ul |
| 1130560 | Piston Spring 0,5x4,2x75 |
| 1130550 | O-Ring Spring 0,8x13,7x15 |
| 1054260 | O-ring Cap 1000ul |
| 1030020 | O-ring 8,73x1,78 EPDM 70S |
| 10588820 | Tip Cone 200-1000ul |
| 10588840 | Tip Ejector 200-1000ul |
| 40280590 | Finnpipette Colour Fixed 1000ul |
| 10589561 | Tip Ejector Pusher, 1000ul |
| 10589840 | Cap dark grey, Digital |
| 2204870 | Handle core 1000ul Fixed, Colour |
| 10589941 | Handle cover grey Fixed, use code 10589940 |
| 10589450 | Piston 1000ul |
| 1130560 | Piston Spring 0,5x4,2x75 |
| 1130550 | O-Ring Spring 0,8x13,7x15 |
| 1054260 | O-ring Cap 1000ul |
| 1030020 | O-ring 8,73x1,78 EPDM 70S |
| 10588820 | Tip Cone 200-1000ul |
| 10588840 | Tip Ejector 200-1000ul |
| 40280610 | Finnpipette Colour Fixed 1-5ml |
| 2900510 | Maintenance Pliers, Digital |
| 10590531 | Tip ejector pusher 1-5ml Fixed, Colour |
| 10590520 | Cap dark blue, Digital |
| 2205510 | Handle core 1-5ml Fixed, Colour |
| 10590561 | Handle cover 1-5ml Fixed, Colour |
| 10590580 | Cover grey 1-5ml |
| 2205500 | Piston assy 5ml, Colour |
| 1030230 | O-ring 16x2,0 EPDM 70S |
| 10590540 | Cylinder 1-5ml Colour |
| 10590600 | Tip ejector gray 1-5ml |

Finnpipette MCP Spare Parts 1.Jan.2010

Finnpipette F1 MCP 8



Finnpipette MCP Spare Parts 1.Jan.2010

Finnpipette F1 MCP 8-ch

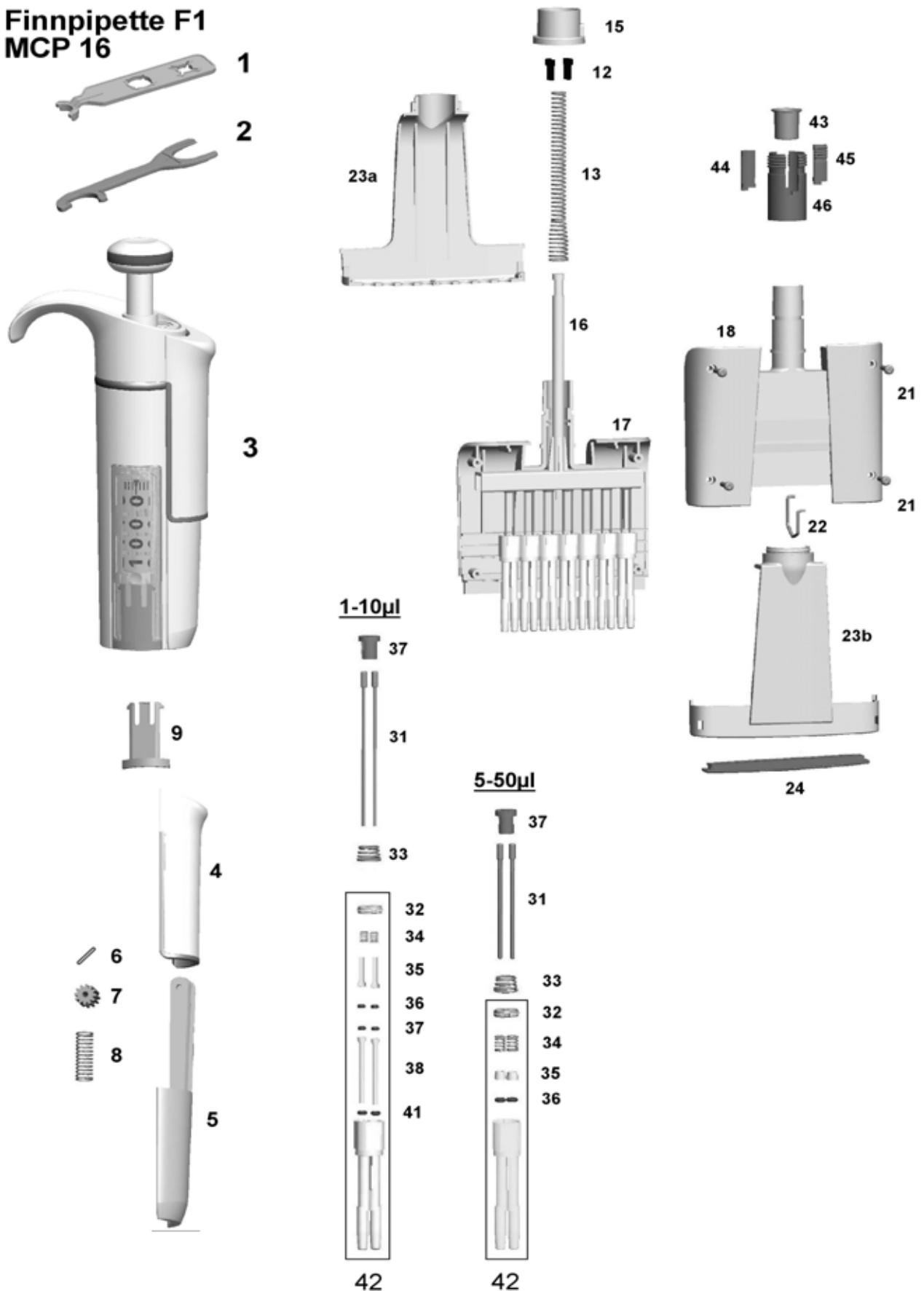
| Reference | Part name |
|--|--|
| On all 8-ch models | |
| 1062800 | 1. Service Tool, F-series |
| 1062930 | 2. Service tool MCP, F-series |
| 2212080 | 4. Tip ejector pusher upper part F1 |
| 11072100 | 6. Pin 1.9 x 9.6 mm |
| 1063370 | 7. Gear Ejector F-series |
| 1132820 | 8. Ejector Spring 0,5x4,5x20 |
| 1063250 | 9. Label Slider F1 |
| 2208840 | 12. Locking pieces (2pcs) MCP, Focus |
| 1064390 | 15. MCP Color Ring F1 |
| 1064350 | 16. Piston Bar 8ch F1 |
| 1063380 | 17. Bottom 8ch F1 |
| 1063390 | 18. Cover 8ch F1 |
| 0202020 | 21. Screw PT 2,2x8 WN 1442 |
| 1131930 | 22. Fastening Spring |
| 1131630 | 33. Piston Spring 0,6x7,4x8 |
| 1061990 | 43. MCP Spring Base F-series |
| 1062900 | 44. Claw2 MCP Adapter F-series |
| 1062890 | 45. Claw1 MCP Adapter F-series |
| 1062880 | 46. MCP Adapter F-series |
| 4661000 Finnpipette F1 MCP 8ch 1-10ul micro | |
| 2211970 | 3. Handle 1-10ul Micro, F1 |
| 1063233 | 5. Tip ejector pusher lower part 1-10ul micro F1 |
| 1132510 | 13. Holder spring 0,6x6,5x135 |
| 2212830 | 23. Tip Ejector 1-10ul 8ch F1 |
| 2211860 | 31. Piston assy MCP 10ul F-series |
| 1061020 | 32. Tip cone cover, grey |
| 10593280 | 35. Second Support MCP Digital |
| 1030380 | 36. O-ring 2x1 EPDM 70S |
| 1033160 | 37. O-ring 0,5x1,0 EPDM |
| 10593290 | 38. Sealing Casing |
| 1131900 | 39. Dash Spring 0,25x2,7x15 |
| 10593360 | 40. Spring Support |
| 1030170 | 41. O-ring 1,6x1,0 EPDM 70S |
| 2209110 | (12pcs) 42. Tip cone assy 10ul, 12pcs MCP Focus |
| 2212330 | 50. Module 10ul 8ch, F1 |
| 4661010 Finnpipette F1 MCP 8ch 5-50ul | |
| 2212280 | 3. Handle 5-50ul, F1 |
| 10632304 | 5. Tip ejector pusher lower part 5-50ul F1 |
| 1132510 | 13. Holder spring 0,6x6,5x135 |
| 2212850 | 23. Tip Ejector 8ch F1 |
| 2208880 | 31. Piston assy 5-50ul MCP, Focus |
| 1061020 | 32. Tip cone cover, grey |
| 1131400 | 34. O-Ring Spring 0,5x7,7x14 |
| 10589500 | 35. Support ring 50ul |
| 1030160 | 36. O-ring 3,68x1,78 EPDM 70S |
| 1030480 | 37. O-ring 1,78x1,78 EPDM 70S |
| 2212750 | (12pcs) 42. Tip cone assy 50ul 12pcs, F1 |
| 2212350 | 50. Module 50ul 8ch, F1 |
| 4661020 Finnpipette F1 MCP 8ch 10-100ul | |
| 2212010 | 3. Handle 10-100ul, F1 |
| 1063235 | 5. Tip ejector pusher lower part 10-100ul F1 |
| 1132510 | 13. Holder spring 0,6x6,5x135 |
| 2212850 | 23. Tip Ejector 8ch F1 |
| 2213060 | 31. Piston assy MCP 100ul F-series |
| 10589490 | 32. Tip Cone Cover, yellow |
| 1131400 | 34. O-Ring Spring 0,5x7,7x14 |
| 1063520 | 35. Support Ring MCP 100ul F-series |
| 1030510 | 36. O-ring 2,6x1,3 EPDM 70S |
| 2212440 | (12pcs) 42. Tip cone assy 100ul 12pcs, F1 |
| 2212370 | 50. Module 100ul 8ch, F1 |
| 4661030 Finnpipette F1 MCP 8ch 30-300ul | |
| 2212030 | 3. Handle 30-300ul, F1 |
| 10632302 | 5. Tip ejector pusher lower part 30-300ul F1 |
| 1132450 | 13. Holder spring 0,6x6,5x160 |
| 2212850 | 23. Tip Ejector 8ch F1 |
| 2209880 | 31. Piston assy 300ul MCP, F |
| 10589490 | 32. Tip Cone Cover, yellow |
| 1131400 | 34. O-Ring Spring 0,5x7,7x14 |
| 10589510 | 35. Support ring 300ul |
| 1030140 | 36. O-ring 4,5x1,5 EPDM 70S |
| 2209350 | (12pcs) 42. Tip cone assy 300ul, 12pcs MCP F1 |
| 2212390 | 50. Module 300ul 8ch, F1 |

Finnpipette MCP Spare Parts 1.Jan.2010

Finnpipette F1 MCP 12-ch

| Reference | Part name |
|--|--|
| On all 12-ch models | |
| 1062800 | 1. Service Tool, F-series |
| 1062930 | 2. Service tool MCP, F-series |
| 2212080 | 4. Tip ejector pusher upper part F1 |
| 11072100 | 6. Pin 1.9 x 9.6 mm |
| 1063370 | 7. Gear Ejector F-series |
| 1132820 | 8. Ejector Spring 0,5x4,5x20 |
| 1063250 | 9. Label Slider F1 |
| 2208840 | 12. Locking pieces (2pcs) MCP, Focus |
| 1064390 | 15. MCP Color Ring F1 |
| 1064340 | 16. Piston Bar 12ch F1 |
| 1063420 | 17. Bottom 12ch F1 |
| 1063430 | 18. Cover 12ch F1 |
| 0202011 | 20. Screw PT 2,2x6 WN 1442 FeZn |
| 0202020 | 21. Screw PT 2,2x8 WN 1442 |
| 1131930 | 22. Fastening Spring |
| 1131630 | 33. Piston Spring 0,6x7,4x8 |
| 1061990 | 43. MCP Spring Base F-series |
| 1062900 | 44. Claw2 MCP Adapter F-series |
| 1062890 | 45. Claw1 MCP Adapter F-series |
| 1062880 | 46. MCP Adapter F-series |
| 4661040 Finnpiquette F1 MCP 12ch 1-10ul micro | |
| 2211970 | 3. Handle 1-10ul Micro, F1 |
| 1063233 | 5. Tip ejector pusher lower part 1-10ul micro F1 |
| 1132510 | 13. Holder spring 0,6x6,5x135 |
| 2212840 | 23. Tip Ejector 1-10ul 12ch F1 |
| 2211860 | 31. Piston assy MCP 10ul F-series |
| 1061020 | 32. Tip cone cover, grey |
| 10593280 | 35. Second Support MCP Digital |
| 1030380 | 36. O-ring 2x1 EPDM 70S |
| 1033160 | 37. O-ring 0,5x1,0 EPDM |
| 10593290 | 38. Sealing Casing |
| 1131900 | 39. Dash Spring 0,25x2,7x15 |
| 10593360 | 40. Spring Support |
| 1030170 | 41. O-ring 1,6x1,0 EPDM 70S |
| 2209110 | (12pcs) 42. Tip cone assy 10ul, 12pcs MCP Focus |
| 2212340 | 50. Module 10ul 12ch, F1 |
| 4661050 Finnpiquette F1 MCP 12ch 5-50ul | |
| 2212280 | 3. Handle 5-50ul, F1 |
| 10632304 | 5. Tip ejector pusher lower part 5-50ul F1 |
| 1132450 | 13. Holder spring 0,6x6,5x160 |
| 2212860 | 23. Tip Ejector 12ch F1 |
| 2208880 | 31. Piston assy 5-50ul MCP, Focus |
| 1061020 | 32. Tip cone cover, grey |
| 1131400 | 34. O-Ring Spring 0,5x7,7x14 |
| 10589500 | 35. Support ring 50ul |
| 1030160 | 36. O-ring 3,68x1,78 EPDM 70S |
| 1030480 | 37. O-ring 1,78x1,78 EPDM 70S |
| 2212750 | (12pcs) 42. Tip cone assy 50ul 12pcs, F1 |
| 2212360 | Module 50ul 12ch, F1 |
| 4661060 Finnpiquette F1 MCP 12ch 10-100ul | |
| 2212010 | 3. Handle 10-100ul, F1 |
| 1063235 | 5. Tip ejector pusher lower part 10-100ul F1 |
| 1132450 | 13. Holder spring 0,6x6,5x160 |
| 2212860 | 23. Tip Ejector 12ch F1 |
| 2213060 | 31. Piston assy MCP 100ul F-series |
| 10589490 | 32. Tip Cone Cover, yellow |
| 1131400 | 34. O-Ring Spring 0,5x7,7x14 |
| 1063520 | 35. Support Ring MCP 100ul F-series |
| 1030510 | 36. O-ring 2,6x1,3 EPDM 70S |
| 2212440 | (12pcs) 42. Tip cone assy 100ul 12pcs, F1 |
| 2212380 | 50. Module 100ul 12ch, F1 |
| 4661070 Finnpiquette F1 MCP 12ch 30-300ul | |
| 2212030 | 3. Handle 30-300ul, F1 |
| 10632302 | 5. Tip ejector pusher lower part 30-300ul F1 |
| 1132720 | 13. Holder Spring 0,6x8,6x150 |
| 2212860 | 23. Tip Ejector 12ch F1 |
| 2209880 | 31. Piston assy 300ul MCP, F |
| 10589490 | 32. Tip Cone Cover, yellow |
| 1131400 | 34. O-Ring Spring 0,5x7,7x14 |
| 10589510 | 35. Support ring 300ul |
| 1030140 | 36. O-ring 4,5x1,5 EPDM 70S |
| 2209350 | (12pcs) 42. Tip cone assy 300ul, 12pcs MCP F1 |
| 2212400 | 50. Module 300ul 12ch, F1 |

**Finnpipette F1
MCP 16**

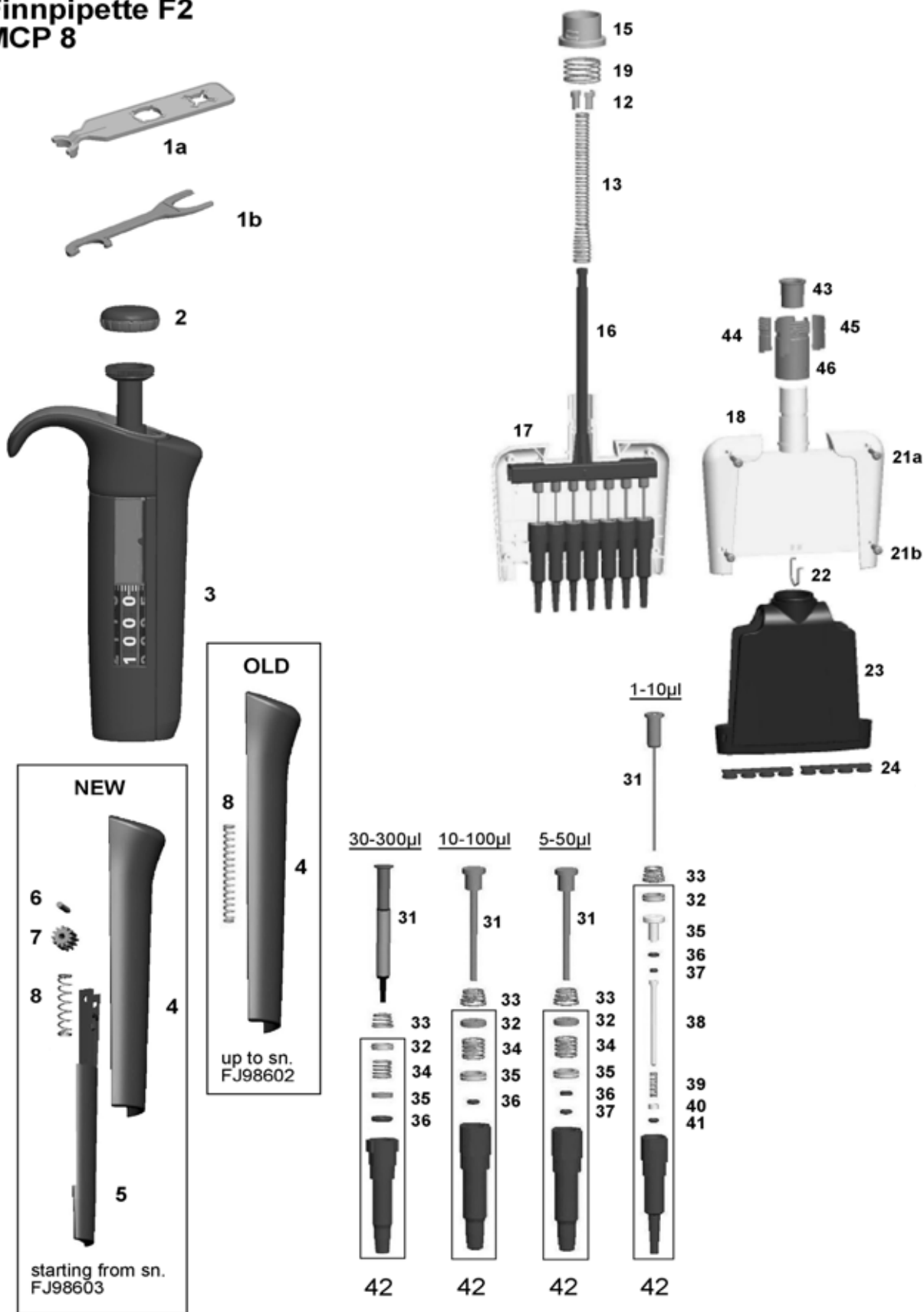


Finnpipette MCP Spare Parts 1.Jan.2010

Finnpipette F1 MCP 16-ch

| Reference | Part name |
|---------------------|--|
| On all 16-ch models | |
| 1062800 | 1. Service Tool, F-series |
| 1062930 | 2. Service tool MCP, F-series |
| 2212080 | 4. Tip ejector pusher upper part F1 |
| 11072100 | 6. Pin 1.9 x 9.6 mm |
| 1063370 | 7. Gear Ejector F-series |
| 1132820 | 8. Ejector Spring 0,5x4,5x20 |
| 1063250 | 9. Label Slider F1 |
| 2208840 | 12. Locking pieces (2pcs) MCP, Focus |
| 1132450 | 13. Holder spring 0,6x6,5x160 |
| 1064390 | 15. MCP Color Ring F1 |
| 1064350 | 16. Piston Bar 8ch F1 |
| 1063380 | 17. Bottom 8ch F1 |
| 1063390 | 18. Cover 8ch F1 |
| 0202020 | 21. Screw PT 2,2x8 WN 1442 |
| 1131930 | 22. Fastening Spring |
| 1063412 | 23a. Tip Ejector Top 16ch F1 |
| 1063401 | 23b. Tip Ejector Bottom 16ch F1 |
| 1064570 | 24. Tip Ejector Plate 16ch F1 |
| 10593840 | 32. Tip Cone Cover 16ch |
| 1132150 | 33. Piston Spring 0,5x8x7,5 |
| 1132130 | 34. Piston Spring 0,25x3,6x11,5 |
| 10593870 | 37. Piston head 16ch |
| 1061990 | 43. MCP Spring Base F-series |
| 1062900 | 44. Claw2 MCP Adapter F-series |
| 1062890 | 45. Claw1 MCP Adapter F-series |
| 1062880 | 46. MCP Adapter F-series |
| 4661080 | Finnpipette F1 MCP 16ch 1-10ul micro |
| 2212290 | 3. Handle 10ul 16ch, F1 |
| 10632306 | 5. Tip ejector pusher lower part 1-10ul 16ch F1 |
| 2209980 | 31. Piston assy 10ul 16ch F-series |
| 10593850 | 35. O-bushing 10ul/16ch |
| 1030060 | 36. O-ring 0,78x1,02 EPDM 70S |
| 1030060 | 37. O-ring 0,78x1,02 EPDM 70S |
| 1063490 | 38. O-support 10ul/16ch |
| 1030170 | 41. O-ring 1,6x1,0 EPDM 70S |
| 2212760 | (8pcs) 42. Tip cone assy 10ul 16ch 8pcs, F1 |
| 2212410 | 50. Module 10ul 16ch, F1 |
| 4661090 | Finnpipette F1 MCP 16ch 5-50ul micro |
| 2212310 | 3. Handle 50ul 16ch, F1 |
| 10632305 | 5. Tip ejector pusher lower part 5-50ul micro F1 |
| 11072010 | 31. Piston 50ul 16ch Novus |
| 10593500 | 35. Spring support 50ul |
| 1030170 | 36. O-ring 1,6x1,0 EPDM 70S |
| 2207950 | (8pcs) 42. Tip cone assy 16ch 50ul, 8pcs |
| 2212420 | 50. Module 50ul 16ch, F1 |

**Finnpipette F2
MCP 8**

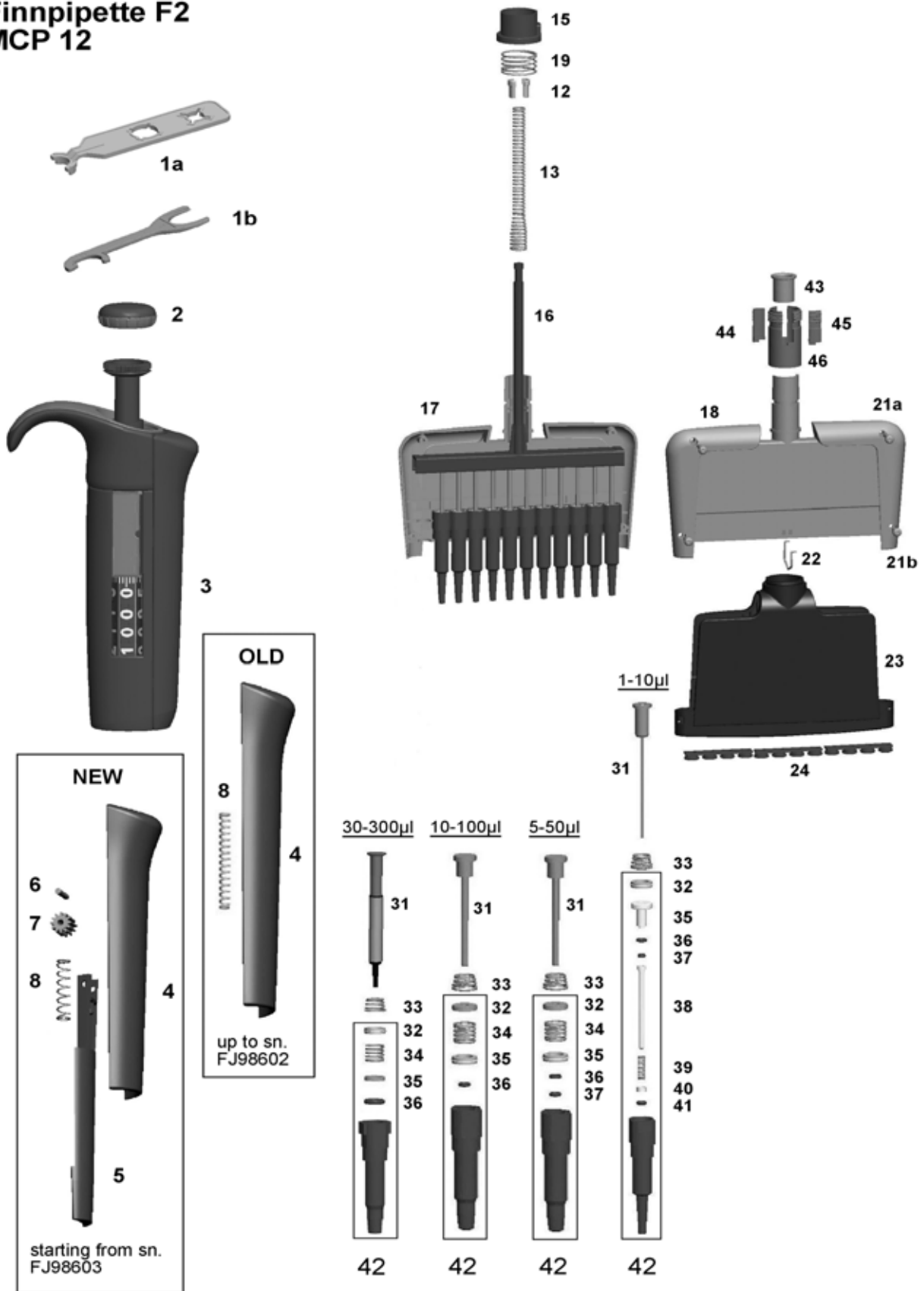


Finnpipette MCP Spare Parts 1.Jan.2010

Finnpipette F2 MCP 8-ch

| Reference | Part name |
|--|--|
| On all models | |
| 1062800 | 1a. Service Tool, F-series |
| 1062930 | 1b. Service tool MCP, F-series |
| 1064740 | NEW 5. Tip ejector pusher lower part F2 |
| 11072100 | 6. Pin 1.9 x 9.6 mm |
| 1063370 | 7. Gear Ejector F-series |
| 1132680 | OLD 8. Ejector Spring 0,5x3,8x32,5 |
| 1132820 | NEW 8. Ejector Spring 0,5x4,5x20 |
| 2208840 | 12. Locking pieces (2pcs) MCP, Focus |
| 1063890 | 15. MCP Color Ring F2 |
| 1062950 | 16. Piston bar 8ch F2 |
| 1132470 | 19. Tip ejector spring 0,75x20x24 |
| 0202040 | 21a. Screw PT 2,2x12 WN 1442 |
| 0202020 | 21b. Screw PT 2,2x8 WN 1442 |
| 1131930 | 22. Fastening Spring |
| 1063360 | 23. Ejector 8ch F2 |
| 1131630 | 33. Piston Spring 0,6x7,4x8 |
| 1061990 | 43. MCP Spring Base F-series |
| 1062900 | 44. Claw2 MCP Adapter F-series |
| 1062890 | 45. Claw1 MCP Adapter F-series |
| 1062880 | 46. MCP Adapter F-series |
| 4662000 Finnpipette F2 MCP 8ch 1-10ul micro | |
| 2211520 | 2. Cap pink, F2 |
| 2213180 | NEW 3. Handle 1-10ul Micro F2 |
| 1063623 | OLD 4. Tip ejector pusher 1-10ul micro F2 |
| 1064733 | NEW 4. Tip ejector pusher upper part 1-10ul micro F2 |
| 1132510 | 13. Holder spring 0,6x6,5x135 |
| 1063350 | 17. Bottom 8ch pink F2 |
| 1063340 | 18. Cover 8ch pink F2 |
| 1064620 | 24. Tip ejector plate 10ul F2 |
| 2211860 | 31. Piston assy MCP 10ul F-series |
| 1061020 | 32. Tip cone cover, grey |
| 10593280 | 35. Second Support MCP Digital |
| 1030380 | 36. O-ring 2x1 EPDM 70S |
| 1033160 | 37. O-ring 0,5x1,0 EPDM |
| 10593290 | 38. Sealing Casing |
| 1131900 | 39. Dash Spring 0,25x2,7x15 |
| 10593360 | 40. Spring Support |
| 1030170 | 41. O-ring 1,6x1,0 EPDM 70S |
| 2212770 | (12pcs) 42. Tip cone assy 10ul 12pcs, F2 |
| 2211260 | 50. Module 10ul 8ch, F2 |
| 4662010 Finnpipette F2 MCP 8ch 5-50ul | |
| 2211550 | 2. Cap yellow, F2 |
| 2213270 | NEW 3. Handle 5-50ul Universal F2 |
| 10636207 | OLD 4. Tip ejector pusher 5-50ul F2 |
| 10647306 | NEW 4. Tip ejector pusher upper part 5-50ul F2 |
| 1132510 | 13. Holder spring 0,6x6,5x135 |
| 1064140 | 17. Bottom 8ch yellow F2 |
| 1064170 | 18. Cover 8ch yellow F2 |
| 2208880 | 31. Piston assy 5-50ul MCP, Focus |
| 1061020 | 32. Tip cone cover, grey |
| 1131400 | 34. O-Ring Spring 0,5x7,7x14 |
| 10589500 | 35. Support ring 50ul |
| 1030160 | 36. O-ring 3,68x1,78 EPDM 70S |
| 1030480 | 37. O-ring 1,78x1,78 EPDM 70S |
| 2212780 | (12pcs) 42. Tip cone assy 50ul 12pcs, F2 |
| 2211280 | 50. Module 50ul 8ch, F2 |
| 4662020 Finnpipette F2 MCP 8ch 10-100ul | |
| 2211550 | 2. Cap yellow, F2 |
| 2213220 | NEW 3. Handle 10-100ul F2 |
| 1063625 | OLD 4. Tip ejector pusher 10-100ul F2 |
| 1064735 | NEW 4. Tip ejector pusher upper part 10-100ul F2 |
| 1132510 | 13. Holder spring 0,6x6,5x135 |
| 1064140 | 17. Bottom 8ch yellow F2 |
| 1064170 | 18. Cover 8ch yellow F2 |
| 2213060 | 31. Piston assy MCP 100ul F-series |
| 10589490 | 32. Tip Cone Cover, yellow |
| 1131400 | 34. O-Ring Spring 0,5x7,7x14 |
| 1063520 | 35. Support Ring MCP 100ul F-series |
| 1030510 | 36. O-ring 2,6x1,3 EPDM 70S |
| 2212790 | (12pcs) 42. Tip cone assy 100ul 12pcs, F2 |
| 2211300 | 50. Module 100ul 8ch, F2 |
| 4662030 Finnpipette F2 MCP 8ch 30-300ul | |
| 2211680 | 2. Cap orange, F2 |
| 2213280 | NEW 3. Handle 30-300ul F2 |
| 10636202 | OLD 4. Tip ejector pusher 30-300ul F2 |
| 10647302 | NEW 4. Tip ejector pusher upper part 30-300ul F2 |
| 1132450 | 13. Holder spring 0,6x6,5x160 |
| 1064150 | 17. Bottom 8ch orange F2 |
| 1064180 | 18. Cover 8ch orange F2 |
| 2209880 | 31. Piston assy 300ul MCP, F |
| 10589490 | 32. Tip Cone Cover, yellow |
| 1131400 | 34. O-Ring Spring 0,5x7,7x14 |
| 10589510 | 35. Support ring 300ul |
| 1030140 | 36. O-ring 4,5x1,5 EPDM 70S |
| 2212800 | (12pcs) 42. Tip cone assy 300ul 12pcs, F2 |
| 2211320 | 50. Module 300ul 8ch, F2 |

**Finnpipette F2
MCP 12**

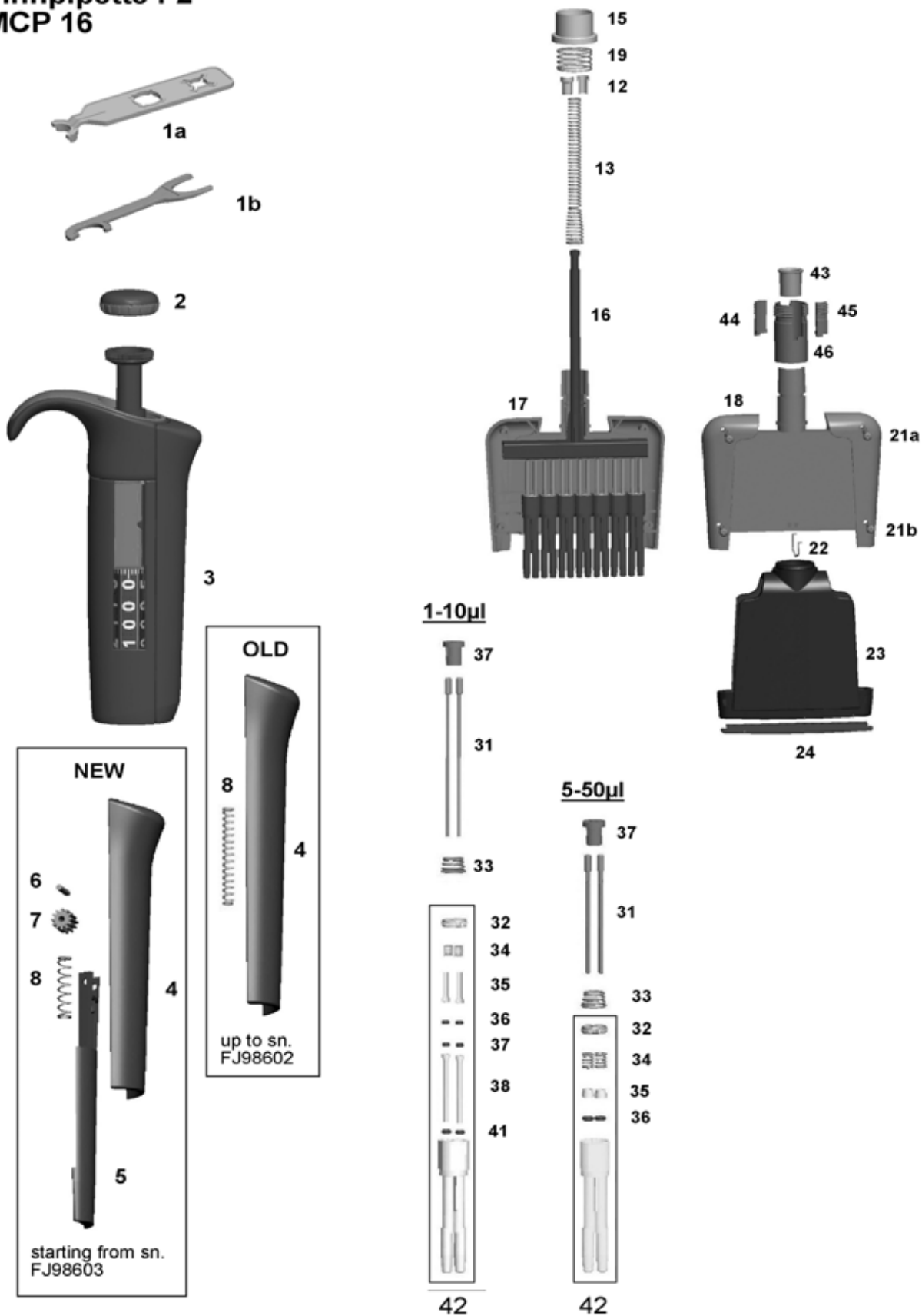


Finnpipette MCP Spare Parts 1.Jan.2010

Finnpipette F2 MCP 12-ch

| Reference | Part name |
|--|--|
| On all models | |
| 1062800 | 1a. Service Tool, F-series |
| 1062930 | 1b. Service tool MCP, F-series |
| 1064740 | NEW 5. Tip ejector pusher lower part F2 |
| 11072100 | 6. Pin 1.9 x 9.6 mm |
| 1063370 | 7. Gear Ejector F-series |
| 1132680 | OLD 8. Ejector Spring 0,5x3,8x32,5 |
| 1132820 | NEW 8. Ejector Spring 0,5x4,5x20 |
| 2208840 | 12. Locking pieces (2pcs) MCP, Focus |
| 1063890 | 15. MCP Color Ring F2 |
| 1062940 | 16. Piston bar 12ch F2 |
| 1132470 | 19. Tip ejector spring 0,75x20x24 |
| 0202020 | 21a. Screw PT 2,2x8 WN 1442 |
| 0202011 | 21b. Screw PT 2,2x6 WN 1442 FeZn |
| 1131930 | 22. Fastening Spring |
| 1063880 | 23. Ejector 12ch F2 |
| 1131630 | 33. Piston Spring 0,6x7,4x8 |
| 1061990 | 43. MCP Spring Base F-series |
| 1062900 | 44. Claw2 MCP Adapter F-series |
| 1062890 | 45. Claw1 MCP Adapter F-series |
| 1062880 | 46. MCP Adapter F-series |
| 4662040 Finnipipette F2 MCP 12ch 1-10ul micro | |
| 2211520 | 2. Cap pink, F2 |
| 2213180 | NEW 3. Handle 1-10ul Micro F2 |
| 1063623 | OLD 4. Tip ejector pusher 1-10ul micro F2 |
| 1064733 | NEW 4. Tip ejector pusher upper part 1-10ul micro F2 |
| 1132510 | 13. Holder spring 0,6x6,5x135 |
| 1063870 | 17. Bottom 12ch pink F2 |
| 1063860 | 18. Cover 12ch pink F2 |
| 1064620 | 24. Tip ejector plate 10ul F2 |
| 2211860 | 31. Piston assy MCP 10ul F-series |
| 1061020 | 32. Tip cone cover, grey |
| 10593280 | 35. Second Support MCP Digital |
| 1030380 | 36. O-ring 2x1 EPDM 70S |
| 1033160 | 37. O-ring 0,5x1,0 EPDM |
| 10593290 | 38. Sealing Casing |
| 1131900 | 39. Dash Spring 0,25x2,7x15 |
| 10593360 | 40. Spring Support |
| 1030170 | 41. O-ring 1,6x1,0 EPDM 70S |
| 2212770 | (12pcs) 42. Tip cone assy 10ul 12pcs, F2 |
| 2211270 | 50. Module 10ul 12ch, F2 |
| 4662050 Finnipipette F2 MCP 12ch 5-50ul | |
| 2211550 | 2. Cap yellow, F2 |
| 2213270 | NEW 3. Handle 5-50ul Universal F2 |
| 10636207 | OLD 4. Tip ejector pusher 5-50ul F2 |
| 10647306 | NEW 4. Tip ejector pusher upper part 5-50ul F2 |
| 1132450 | 13. Holder spring 0,6x6,5x160 |
| 1064200 | 17. Bottom 12ch yellow F2 |
| 1064220 | 18. Cover 12ch yellow F2 |
| 2208880 | 31. Piston assy 5-50ul MCP, Focus |
| 1061020 | 32. Tip cone cover, grey |
| 1131400 | 34. O-Ring Spring 0,5x7,7x14 |
| 10589500 | 35. Support ring 50ul |
| 1030160 | 36. O-ring 3.68x1.78 EPDM 70S |
| 1030480 | 37. O-ring 1,78x1,78 EPDM 70S |
| 2212780 | (12pcs) 42. Tip cone assy 50ul 12pcs, F2 |
| 2211290 | 50. Module 50ul 12ch, F2 |
| 4662060 Finnipipette F2 MCP 12ch 10-100ul | |
| 2211550 | 2. Cap yellow, F2 |
| 2213220 | NEW 3. Handle 10-100ul F2 |
| 1063625 | OLD 4. Tip ejector pusher 10-100ul F2 |
| 1064735 | NEW 4. Tip ejector pusher upper part 10-100ul F2 |
| 1132450 | 13. Holder spring 0,6x6,5x160 |
| 1064200 | 17. Bottom 12ch yellow F2 |
| 1064220 | 18. Cover 12ch yellow F2 |
| 2213060 | 31. Piston assy MCP 100ul F-series |
| 10589490 | 32. Tip Cone Cover, yellow |
| 1131400 | 34. O-Ring Spring 0,5x7,7x14 |
| 1063520 | 35. Support Ring MCP 100ul F-series |
| 1030510 | 36. O-ring 2,6x1,3 EPDM 70S |
| 2212790 | (12pcs) 42. Tip cone assy 100ul 12pcs, F2 |
| 2211310 | 50. Module 100ul 12ch, F2 |
| 4662070 Finnipipette F2 MCP 12ch 30-300ul | |
| 2211680 | 2. Cap orange, F2 |
| 2213280 | NEW 3. Handle 30-300ul F2 |
| 10636202 | OLD 4. Tip ejector pusher 30-300ul F2 |
| 10647302 | NEW 4. Tip ejector pusher upper part 30-300ul F2 |
| 1132720 | 13. Holder Spring 0,6x8,6x150 |
| 1064210 | 17. Bottom 12ch orange F2 |
| 1064230 | 18. Cover 12ch orange F2 |
| 2209880 | 31. Piston assy 300ul MCP, F |
| 10589490 | 32. Tip Cone Cover, yellow |
| 1131400 | 34. O-Ring Spring 0,5x7,7x14 |
| 10589510 | 35. Support ring 300ul |
| 1030140 | 36. O-ring 4,5x1,5 EPDM 70S |
| 2212800 | (12pcs) 42. Tip cone assy 300ul 12pcs, F2 |
| 2211330 | 50. Module 300ul 12ch, F2 |

**Finnpipette F2
MCP 16**

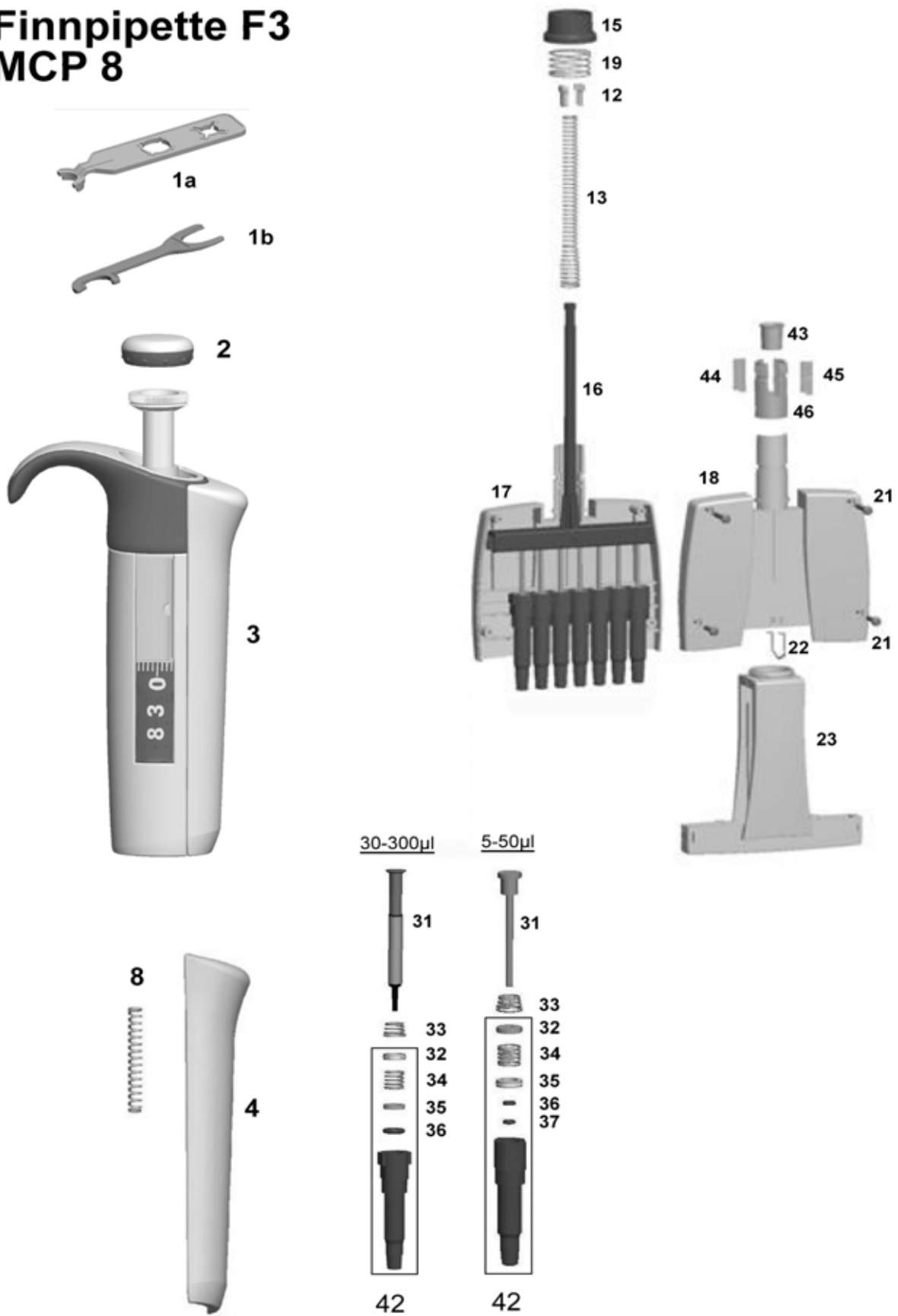


Finnpipette MCP Spare Parts 1.Jan.2010

Finnpipette F2 MCP 16-ch

| Reference | Part name |
|---|---|
| On all models | |
| 1062800 | 1a. Service Tool, F-series |
| 1062930 | 1b. Service tool MCP, F-series |
| 1064740 | NEW 5. Tip ejector pusher lower part F2 |
| 11072100 | 6. Pin 1.9 x 9.6 mm |
| 1063370 | 7. Gear Ejector F-series |
| 1132680 | OLD 8. Ejector Spring 0,5x3,8x32,5 |
| 1132820 | NEW 8. Ejector Spring 0,5x4,5x20 |
| 2208840 | 12. Locking pieces (2pcs) MCP, Focus |
| 1063890 | 15. MCP Color Ring F2 |
| 1062950 | 16. Piston bar 8ch F2 |
| 1132470 | 19. Tip ejector spring 0,75x20x24 |
| 0202040 | 21a. Screw PT 2,2x12 WN 1442 |
| 0202020 | 21b. Screw PT 2,2x8 WN 1442 |
| 1131930 | 22. Fastening Spring |
| 1063361 | 23. Tip ejector 16ch F2 |
| 1132150 | 33. Piston Spring 0,5x8x7,5 |
| 1061990 | 43. MCP Spring Base F-series |
| 1062900 | 44. Claw2 MCP Adapter F-series |
| 1062890 | 45. Claw1 MCP Adapter F-series |
| 1062880 | 46. MCP Adapter F-series |
| 4662080 Finnpipette F2 MCP 16ch 1-10ul micro | |
| 2211800 | 2. Cap lila, F2 |
| 2213290 | NEW 3. Handle 10ul 16ch F2 |
| 10636205 | OLD 4. Tip ejector pusher 1-10ul 16ch F2 |
| 10647305 | NEW 4. Tip ejector pusher upper part 1-10ul 16ch F2 |
| 1132450 | 13. Holder spring 0,6x6,5x160 |
| 1064160 | 17. Bottom 8ch lila F2 |
| 1064190 | 18. Cover 8ch lila F2 |
| 1064610 | 24. Ejector plate 16ch F2 |
| 2209980 | 31. Piston assy 10ul 16ch F-series |
| 10593840 | 32. Tip Cone Cover 16ch |
| 1132130 | 34. Piston Spring 0,25x3,6x11,5 |
| 10593850 | 35. O-bushing 10ul/16ch |
| 1030060 | 36. O-ring 0,78x1,02 EPDM 70S |
| 1030060 | 37. O-ring 0,78x1,02 EPDM 70S |
| 1063490 | 38. O-support 10ul/16ch |
| 1030170 | 41. O-ring 1,6x1,0 EPDM 70S |
| 2212810 | (8pcs) 42. Tip cone assy 10ul 16ch 8pcs, F2 |
| 2211340 | 50. Module 10ul 16ch, F2 |
| 4662090 Finnpipette F2 MCP 16ch 5-50ul micro | |
| 2211560 | 2. Cap turquoise, F2 |
| 2213300 | NEW 3. Handle 5-50ul Micro F2 |
| 10636204 | OLD 4. Tip ejector pusher 5-50ul 16ch F2 |
| 10647304 | NEW 4. Tip ejector pusher upper part 5-50ul 16ch F2 |
| 1132450 | 13. Holder spring 0,6x6,5x160 |
| 1064290 | 17. Bottom 8ch turquoise F2 |
| 1064300 | 18. Cover 8ch turquoise F2 |
| 11072010 | 31. Piston 50ul 16ch Novus |
| 10593840 | 32. Tip Cone Cover 16ch |
| 1132130 | 34. Piston Spring 0,25x3,6x11,5 |
| 10593500 | 35. Spring support 50ul |
| 1030170 | 36. O-ring 1,6x1,0 EPDM 70S |
| 2212820 | (8pcs) 42. Tip cone assy 50ul 16ch 8pcs, F2 |
| 2211350 | 50. Module 50ul 16ch, F2 |

Finnpipette F3 MCP 8



Finnpipette MCP Spare Parts 1.Jan.2010

Finnpipette F3 MCP 8-ch

| Reference | Part name |
|---------------|--------------------------------------|
| On all models | |
| 1062800 | 1a. Service Tool, F-series |
| 1062930 | 1b. Service tool MCP, F-series |
| 1132680 | 8. Ejector Spring 0,5x3,8x32,5 |
| 2208840 | 12. Locking pieces (2pcs) MCP, Focus |
| 1062870 | 15. MCP Color Ring F3 |
| 1062950 | 16. Piston bar 8ch F2 |
| 1132470 | 19. Tip ejector spring 0,75x20x24 |
| 0202040 | 21. Screw PT 2,2x12 WN 1442 |
| 1132490 | 22. Fastening Spring 8ch Novus |
| 1063160 | 23. Ejector 8ch F3 |
| 1131630 | 33. Piston Spring 0,6x7,4x8 |
| 1061990 | 43. MCP Spring Base F-series |
| 1062900 | 44. Claw2 MCP Adapter F-series |
| 1062890 | 45. Claw1 MCP Adapter F-series |
| 1062880 | 46. MCP Adapter F-series |

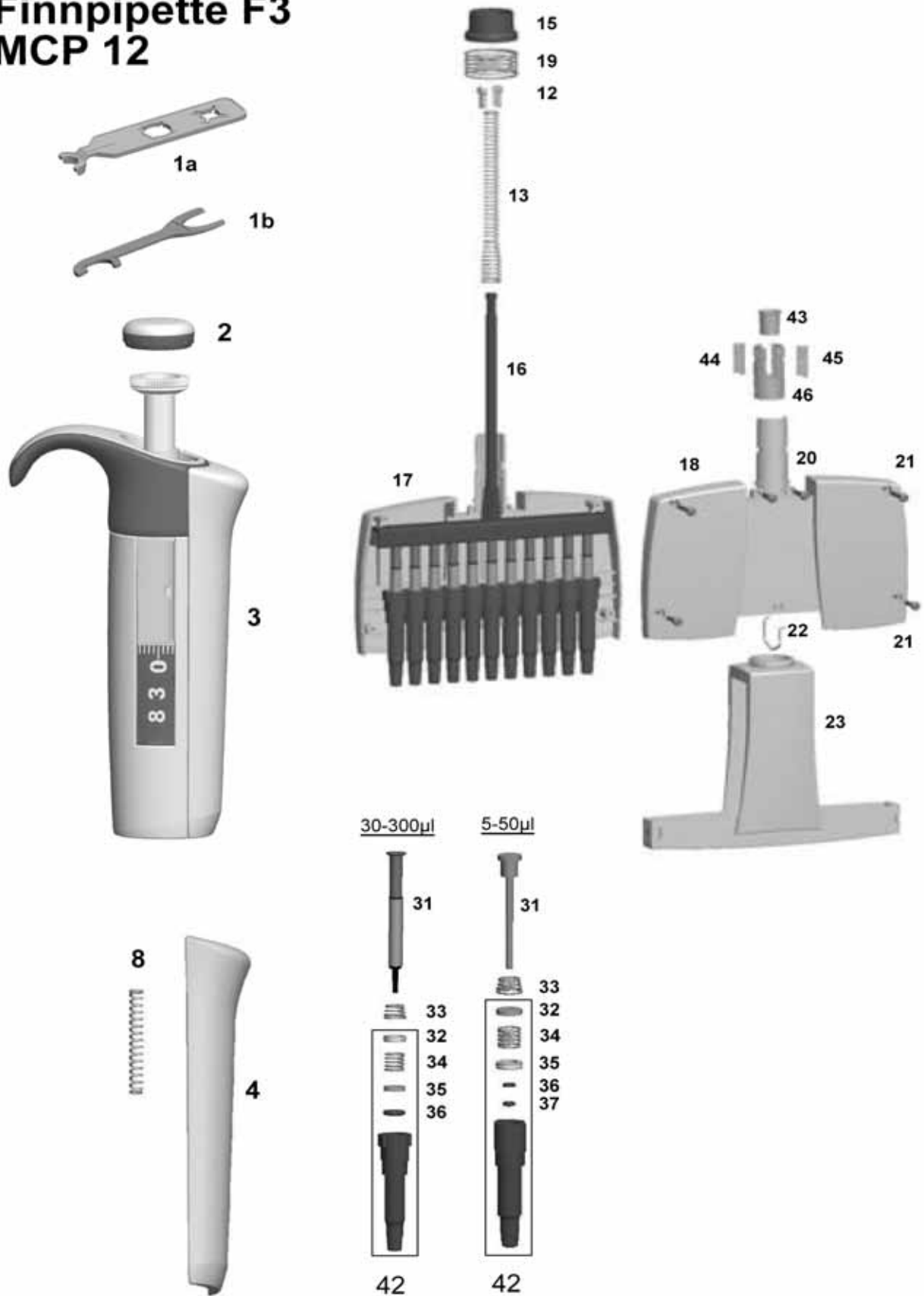
4660010 Finnpipette F3 MCP 8ch 5-50ul

| | |
|----------|--|
| 2210460 | 2. Cap yellow, F3 |
| 2212960 | 3. Handle 5-50ul, F3 |
| 10614742 | 4. Tip ejector pusher 5-50ul F3 |
| 1132510 | 13. Holder spring 0,6x6,5x135 |
| 1063140 | 17. Bottom 8ch F3 |
| 1063150 | 18. Cover 8ch F3 |
| 2208880 | 31. Piston assy 5-50ul MCP, Focus |
| 1061020 | 32. Tip cone cover, grey |
| 1131400 | 34. O-Ring Spring 0,5x7,7x14 |
| 10589500 | 35. Support ring 50ul |
| 1030160 | 36. O-ring 3,68x1,78 EPDM 70S |
| 1030480 | 37. O-ring 1,78x1,78 EPDM 70S |
| 2212780 | (12pcs) 42. Tip cone assy 50ul 12pcs, F2 |
| 2212890 | 50. Module 50ul 8ch F3 |

4660020 Finnpipette F3 MCP 8ch 30-300ul

| | |
|----------|---|
| 2212930 | 2. Cap orange F3 |
| 2212880 | 3. Handle 30-300ul F3 |
| 10614743 | 4. Tip ejector pusher 30-300ul F3 |
| 1132450 | 13. Holder spring 0,6x6,5x160 |
| 1063140 | 17. Bottom 8ch F3 |
| 1063150 | 18. Cover 8ch F3 |
| 2209880 | 31. Piston assy 300ul MCP, F |
| 10589490 | 32. Tip Cone Cover, yellow |
| 1131400 | 34. O-Ring Spring 0,5x7,7x14 |
| 10589510 | 35. Support ring 300ul |
| 1030140 | 36. O-ring 4,5x1,5 EPDM 70S |
| 2212800 | (12pcs) 42. Tip cone assy 300ul 12pcs, F2 |
| 2212910 | 50. Module 300ul 8ch F3 |

Finnpipette F3 MCP 12



Finnpipette MCP Spare Parts 1.Jan.2010

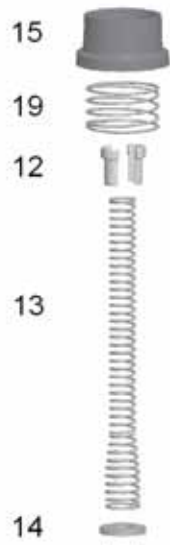
Finnpipette F3 MCP 12-ch

| Reference | Part name |
|---|---|
| On all models | |
| 1062800 | 1a. Service Tool, F-series |
| 1062930 | 1b. Service tool MCP, F-series |
| 1132680 | 8. Ejector Spring 0,5x3,8x32,5 |
| 2208840 | 12. Locking pieces (2pcs) MCP, Focus |
| 1062870 | 15. MCP Color Ring F3 |
| 1062940 | 16. Piston bar 12ch F2 |
| 1132480 | 19. Tip ejector spring 0,9x24x25 |
| 0202020 | 20. Screw PT 2,2x8 WN 1442 |
| 0202040 | 21. Screw PT 2,2x12 WN 1442 |
| 1132500 | 22. Fastening Spring 12ch Novus |
| 1063190 | 23. Ejector 12ch F3 |
| 1131630 | 33. Piston Spring 0,6x7,4x8 |
| 1061990 | 43. MCP Spring Base F-series |
| 1062900 | 44. Claw2 MCP Adapter F-series |
| 1062890 | 45. Claw1 MCP Adapter F-series |
| 1062880 | 46. MCP Adapter F-series |
| 4660040 Finnpipette F3 MCP 12ch 5-50ul | |
| 2210460 | 2. Cap yellow, F3 |
| 2212960 | 3. Handle 5-50ul, F3 |
| 10614742 | 4. Tip ejector pusher 5-50ul F3 |
| 1132450 | 13. Holder spring 0,6x6,5x160 |
| 1063170 | 17. Bottom 12ch F3 |
| 1063180 | 18. Cover 12ch F3 |
| 2208880 | 31. Piston assy 5-50ul MCP, Focus |
| 1061020 | 32. Tip cone cover, grey |
| 1131400 | 34. O-Ring Spring 0,5x7,7x14 |
| 10589500 | 35. Support ring 50ul |
| 1030160 | 36. O-ring 3,68x1,78 EPDM 70S |
| 1030480 | 37. O-ring 1,78x1,78 EPDM 70S |
| 2212780 | (12pcs) 42. Tip cone assy 50ul 12pcs, F2 |
| 2212900 | 50. Module 50ul 12ch F3 |
| 4660050 Finnpipette F3 MCP 12ch 30-300ul | |
| 2212930 | 2. Cap orange F3 |
| 2212880 | 3. Handle 30-300ul F3 |
| 10614743 | 4. Tip ejector pusher 30-300ul F3 |
| 1132720 | 13. Holder Spring 0,6x8,6x150 |
| 1063170 | 17. Bottom 12ch F3 |
| 1063180 | 18. Cover 12ch F3 |
| 2209880 | 31. Piston assy 300ul MCP, F |
| 10589490 | 32. Tip Cone Cover, yellow |
| 1131400 | 34. O-Ring Spring 0,5x7,7x14 |
| 10589510 | 35. Support ring 300ul |
| 1030140 | 36. O-ring 4,5x1,5 EPDM 70S |
| 2212800 | (12pcs) 42. Tip cone assy 300ul 12pcs, F2 |
| 2212920 | 50. Module 300ul 12ch F3 |

FP Focus
MCP+ 8-ch



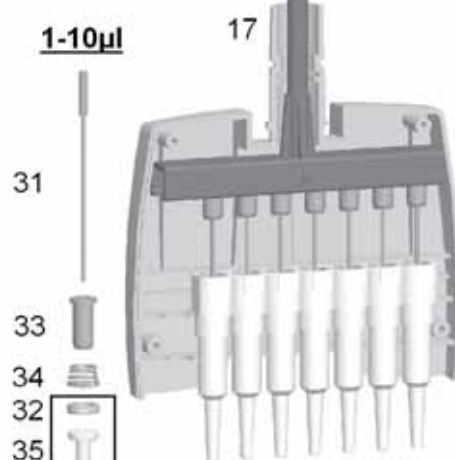
1



15
19
12
13
14



3. Handle



1-10µl

31

33

34

30-300µl

5-50µl

31

31

34

34

32

32

33

33

35

35

36

36

32

33

35

36

37

38

39

40

41

42

42

42



18

21

21

22



23

24

Finnpipette MCP Spare Parts 1.Jan.2010

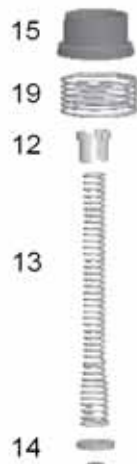
Finnpipette FOCUS MCP+ 8-ch

| Reference | Part name |
|--|---|
| On all 8-Ch Models | |
| 10593480 | 1. Service Tool Digital |
| 1060400 | 6. Cogwheel Focus |
| 1132360 | 8. Tip ejector pusher spring 0,4x4x15 |
| 2208840 | 12. Locking pieces (2pcs) MCP, Focus |
| 1062470 | 14. MCP steering plate Novus |
| 1062460 | 15. MCP color ring Novus |
| 1062490 | 16. Piston bar 8ch Focus |
| 1062380 | 17. Cover A 8ch Novus |
| 1062390 | 18. Cover B 8ch Novus |
| 1132470 | 19. Tip ejector spring 0,75x20x24 |
| 0202040 | 21. Screw PT 2,2x12 WN 1442 |
| 1132490 | 22. Fastening Spring 8ch Novus |
| 1062400 | 23. Tip ejector 8ch Novus |
| 4610100 Finnpipette FOCUS MCP+ 8ch 1-10ul micro | |
| 1060210 | 2. Cap, pink Focus |
| 2209300 | 3. Handle 1-10ul, MCP+ Focus |
| 1060398 | 7. Tip ejector pusher 1-10ul Focus |
| 1132510 | 13. Holder spring 0,6x6,5x135 |
| 1061300 | 24. Tip ejector plate 10ul |
| 2205860 | 31. Piston assy 10ul MCP, Digital |
| 1061020 | 32. Tip cone cover, grey |
| 10593510 | 33. Piston Support MCP 10ul |
| 1131630 | 34. Piston Spring 0,6x7,4x8 |
| 10593280 | 35. Second Support MCP Digital |
| 1030380 | 36. O-ring 2x1 EPDM 70S |
| 1033160 | 37. O-ring 0,5x1,0 EPDM |
| 10593290 | 38. Sealing Casing |
| 1131900 | 39. Dash Spring 0,25x2,7x15 |
| 10593360 | 40. Spring Support |
| 1030170 | 41. O-ring 1,6x1,0 EPDM 70S |
| 2209110 | (12pcs) 42. Tip cone assy 10ul, 12pcs MCP Focus |
| 2209230 | Module 1-10ul 8ch, MCP+ Focus |
| 4610120 Finnpipette FOCUS MCP+ 8ch 5-50ul | |
| 1060170 | 2. Cap, yellow Focus |
| 2209310 | 3. Handle 5-50ul MCP+ Focus |
| 1060396 | 7. Tip ejector pusher 5-50ul Focus |
| 1132510 | 13. Holder spring 0,6x6,5x135 |
| 2208880 | 31. Piston assy 5-50ul MCP, Focus |
| 1061020 | 32. Tip cone cover, grey |
| 1131400 | 33. O-Ring Spring 0,5x7,7x14 |
| 1131630 | 34. Piston Spring 0,6x7,4x8 |
| 10589500 | 35. Support ring 50ul |
| 1030480 | 36. O-ring 1,78x1,78 EPDM 70S |
| 1030160 | 37. O-ring 3.68x1.78 EPDM 70S |
| 2209090 | (12pcs) 42. Tip cone assy 50ul, 12pcs MCP Focus |
| 2209250 | Module 5-50ul 8ch, MCP+ Focus |
| 4610140 Finnpipette FOCUS MCP+ 8ch 30-300ul | |
| 1060160 | 2. Cap, orange Focus |
| 2209320 | 3. Handle 30-300ul MCP+ Focus |
| 1060394 | 7. Tip ejector pusher 30-300ul Focus |
| 1132450 | 13. Holder spring 0,6x6,5x160 |
| 2209880 | 31. Piston assy 300ul MCP, F |
| 10589490 | 32. Tip Cone Cover, yellow |
| 1131400 | 33. O-Ring Spring 0,5x7,7x14 |
| 1131630 | 34. Piston Spring 0,6x7,4x8 |
| 10589510 | 35. Support ring 300ul |
| 1030140 | 36. O-ring 4,5x1,5 EPDM 70S |
| 2209350 | (12pcs) 42. Tip cone assy 300ul, 12pcs MCP F1 |
| 2209270 | Module 30-300ul 8ch, MCP+ Focus |

FP Focus
MCP+ 12-ch



1

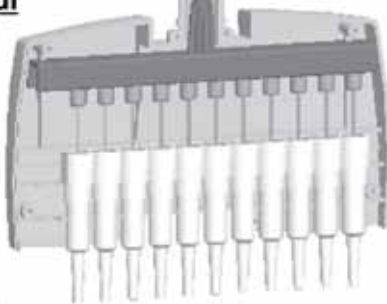


15
19
12
13
14

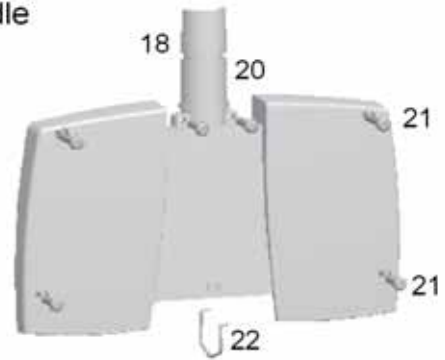


2
6
7
8
3. Handle

1-10µl



31



18

20

21

21

22

30-300µl



31

34

32

33

35

36

42

5-50µl



31

34

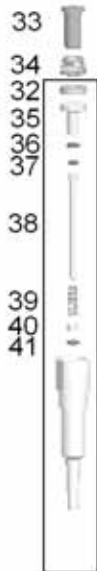
32

33

35

36

42



31

33

34

32

35

36

37

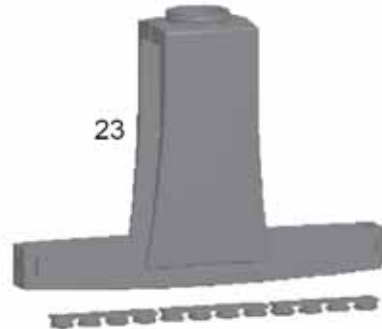
38

39

40

41

42



23

24

Finnpipette MCP Spare Parts 1.Jan.2010

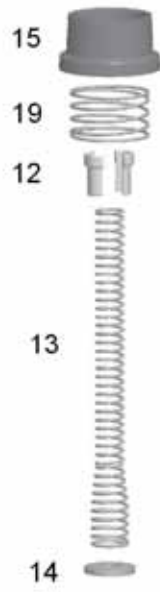
Finnpipette FOCUS MCP+ 12-ch

| Reference | Part name |
|---|---|
| On all 12-Ch Models | |
| 10593480 | 1. Service Tool Digital |
| 1060400 | 6. Cogwheel Focus |
| 1132360 | 8. Tip ejector pusher spring 0,4x4x15 |
| 2208840 | 12. Locking pieces (2pcs) MCP, Focus |
| 1062470 | 14. MCP steering plate Novus |
| 1062460 | 15. MCP color ring Novus |
| 1062480 | 16. Piston bar 12ch Focus |
| 1062420 | 17. Cover A 12ch Novus |
| 1062410 | 18. Cover B 12ch Novus |
| 1132480 | 19. Tip ejector spring 0,9x24x25 |
| 0202020 | 20. Screw PT 2,2x8 WN 1442 |
| 0202040 | 21. Screw PT 2,2x12 WN 1442 |
| 1132500 | 22. Fastening Spring 12ch Novus |
| 1062430 | 23. Tip ejector 12ch Novus |
| 4610110 Finnpipette FOCUS MCP+ 12ch 1-10ul micro | |
| 1060210 | 2. Cap, pink Focus |
| 2209300 | 3. Handle 1-10ul, MCP+ Focus |
| 1060398 | 7. Tip ejector pusher 1-10ul Focus |
| 1132510 | 13. Holder spring 0,6x6,5x135 |
| 1061300 | 24. Tip ejector plate 10ul |
| 2205860 | 31. Piston assy 10ul MCP, Digital |
| 1061020 | 32. Tip cone cover, grey |
| 10593510 | 33. Piston Support MCP 10ul |
| 1131630 | 34. Piston Spring 0,6x7,4x8 |
| 10593280 | 35. Second Support MCP Digital |
| 1030380 | 36. O-ring 2x1 EPDM 70S |
| 1033160 | 37. O-ring 0,5x1,0 EPDM |
| 10593290 | 38. Sealing Casing |
| 1131900 | 39. Dash Spring 0,25x2,7x15 |
| 10593360 | 40. Spring Support |
| 1030170 | 41. O-ring 1,6x1,0 EPDM 70S |
| 2209110 | (12pcs) 42. Tip cone assy 10ul, 12pcs MCP Focus |
| 2209240 | Module 1-10ul 12ch, MCP+ Focus |
| 4610130 Finnpipette FOCUS MCP+ 12ch 5-50ul | |
| 1060170 | 2. Cap, yellow Focus |
| 2209310 | 3. Handle 5-50ul MCP+ Focus |
| 1060396 | 7. Tip ejector pusher 5-50ul Focus |
| 1132450 | 13. Holder spring 0,6x6,5x160 |
| 2208880 | 31. Piston assy 5-50ul MCP, Focus |
| 1061020 | 32. Tip cone cover, grey |
| 1131400 | 33. O-Ring Spring 0,5x7,7x14 |
| 1131630 | 34. Piston Spring 0,6x7,4x8 |
| 10589500 | 35. Support ring 50ul |
| 1030480 | 36. O-ring 1,78x1,78 EPDM 70S |
| 1030160 | 37. O-ring 3.68x1.78 EPDM 70S |
| 2209090 | (12pcs) 42. Tip cone assy 50ul, 12pcs MCP Focus |
| 2209260 | Module 5-50ul 12ch, MCP+ Focus |
| 4610150 Finnpipette FOCUS MCP+ 12ch 30-300ul | |
| 1060160 | 2. Cap, orange Focus |
| 2209320 | 3. Handle 30-300ul MCP+ Focus |
| 1060394 | 7. Tip ejector pusher 30-300ul Focus |
| 1132450 | 13. Holder spring 0,6x6,5x160 |
| 2209880 | 31. Piston assy 300ul MCP, F |
| 10589490 | 32. Tip Cone Cover, yellow |
| 1131400 | 33. O-Ring Spring 0,5x7,7x14 |
| 1131630 | 34. Piston Spring 0,6x7,4x8 |
| 10589510 | 35. Support ring 300ul |
| 1030140 | 36. O-ring 4,5x1,5 EPDM 70S |
| 2209350 | (12pcs) 42. Tip cone assy 300ul, 12pcs MCP F1 |
| 2209280 | Module 30-300ul 12ch, MCP+ Focus |

FP Focus
MCP+ 16-ch



1

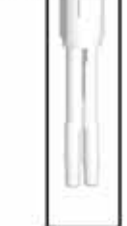
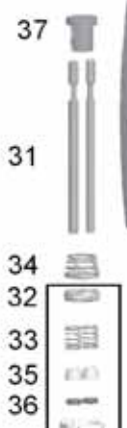


15
19
12
13
14

16

17

5-50µl



37
31
34
32
33
35
36
42



2
6
7
8
3. Handle



18

21

21

22



23

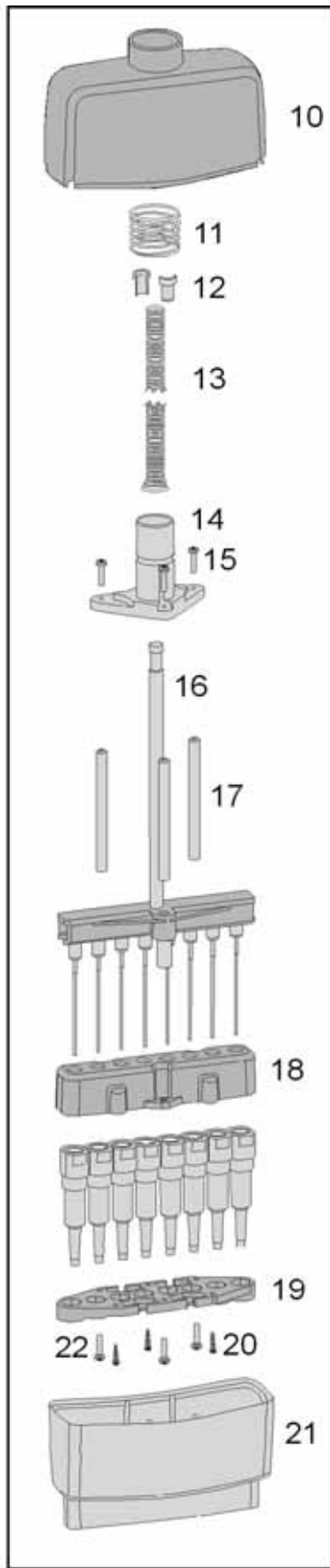
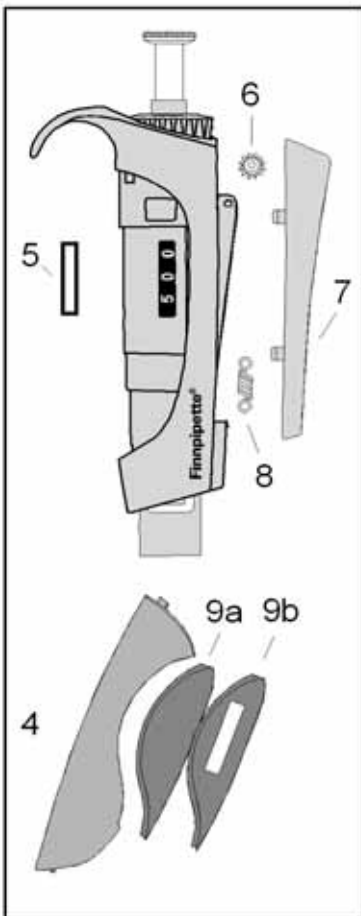
24

Finnpipette MCP Spare Parts 1.Jan.2010

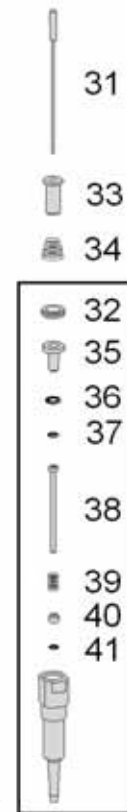
Finnpipette Focus MCP+ 16-ch

| Reference | Part name |
|----------------|---|
| 4610170 | Finnpipette FOCUS MCP+ 16ch 5-50ul micro |
| 10593480 | 1. Service Tool Digital |
| 1060240 | 2. Cap, turquoise Focus |
| 2209310 | 3. Handle 5-50ul MCP+ Focus |
| 1060400 | 6. Cogwheel Focus |
| 1060396 | 7. Tip ejector pusher 5-50ul Focus |
| 1132360 | 8. Tip ejector pusher spring 0,4x4x15 |
| 1132450 | 13. Holder spring 0,6x6,5x160 |
| 1062470 | 14. MCP steering plate Novus |
| 1062460 | 15. MCP color ring Novus |
| 1062450 | 16. Piston bar 8ch Novus |
| 1062380 | 17. Cover A 8ch Novus |
| 1062390 | 18. Cover B 8ch Novus |
| 1132470 | 19. Tip ejector spring 0,75x20x24 |
| 0202040 | 21. Screw PT 2,2x12 WN 1442 |
| 1132490 | 22. Fastening Spring 8ch Novus |
| 1062401 | 23. Tip ejector 16ch Novus |
| 10593800 | 24. Tip Ejector Plate MCP 16ch |
| 11072010 | 31. Piston 50ul 16ch Novus |
| 10593840 | 32. Tip Cone Cover 16ch |
| 1132130 | 33. Piston Spring 0,25x3,6x11,5 |
| 1132150 | 34. Piston Spring 0,5x8x7,5 |
| 10593500 | 35. Spring support 50ul |
| 1030170 | 36. O-ring 1,6x1,0 EPDM 70S |
| 10593870 | 37. Piston head 16ch |
| 2207950 | (8pcs) 42. Tip cone assy 16ch 50ul, 8pcs |
| 2209290 | Module 5-50ul 16ch, MCP+ Focus |

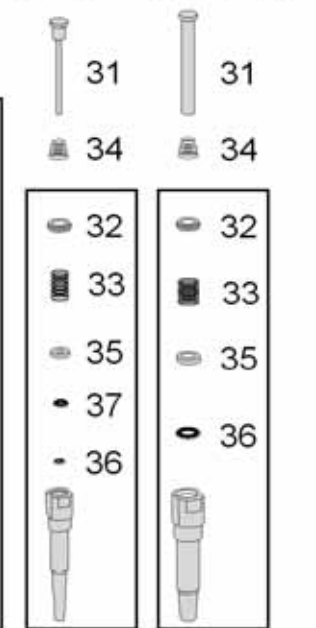
FP FOCUS MCP 8-ch



1-10µl



5-50µl 30-300µl

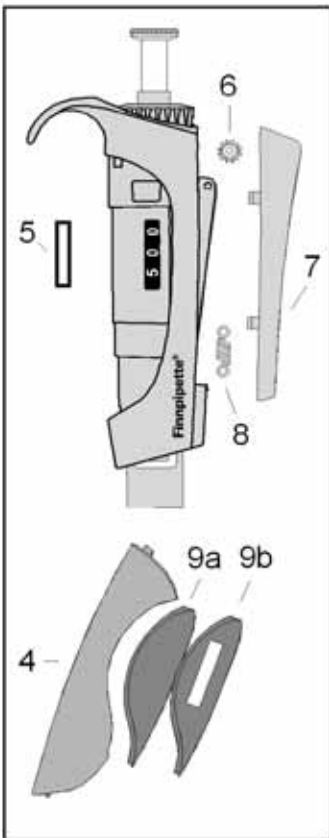


Finnpipette MCP Spare Parts 1.Jan.2010

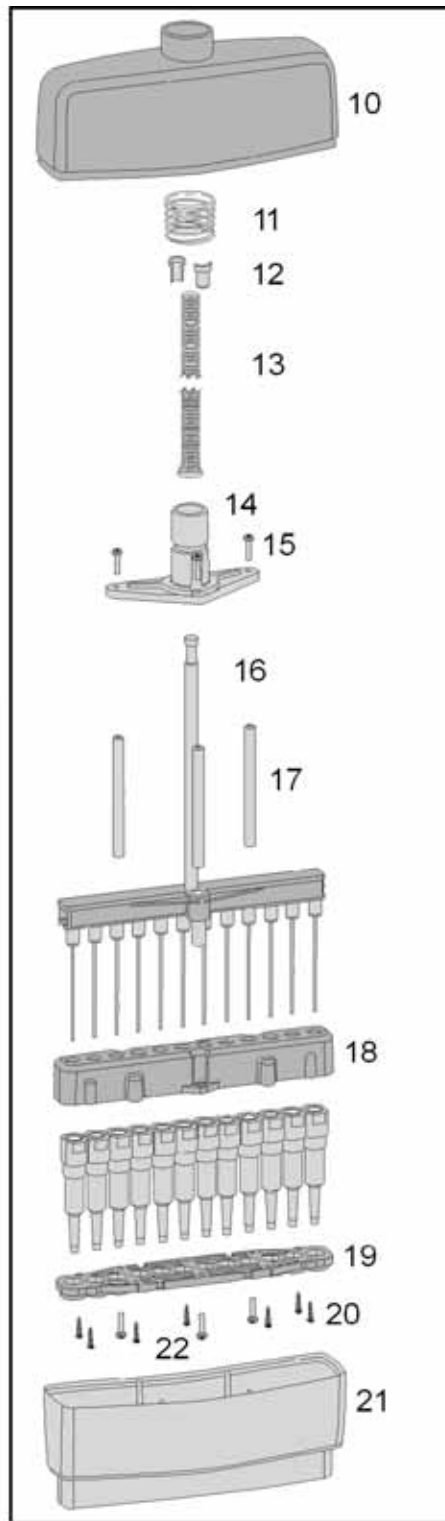
Finnpipette FOCUS MCP 8-ch

| Reference | Part name |
|--------------------|--|
| On all 8-Ch Models | |
| 10593480 | 1. Service Tool Digital |
| 1060430 | 4. Snap-on handle piece, medium, turquoise |
| 1060840 | 5. Window frame Focus |
| 1060400 | 6. Cogwheel Focus |
| 1132360 | 8. Tip ejector pusher spring 0,4x4x15 |
| 1061080 | 9a. Solid window left Focus |
| 1061200 | 10. Tip ejector top Focus 8ch |
| 1132390 | 11. Tip ejector spring 0,8x18,5x26 |
| 2208840 | 12. Locking pieces (2pcs) MCP, Focus |
| 1061230 | 14. Bushing Focus 8ch |
| 0210099 | 15. Screw M2,5x6 DIN 7985 A2 PZ |
| 2208760 | 16. Piston holder 8ch MCP, Focus |
| 11071940 | 17. Guide bar MCP, Focus |
| 1061170 | 18. Tip cone holder top Focus 8ch |
| 1061180 | 19. Tip cone holder bottom Focus 8ch |
| 0202040 | 20. Screw PT 2,2x12 WN 1442 |
| 0210098 | 22. Screw M2,5x8 DIN 7985 A2 |
| 1061020 | 32. Tip cone cover, grey |
| 1131790 | 34. Piston Spring 0,5x8x4,5 |
| 4610000 | Finnpipette FOCUS MCP 8ch 1-10ul micro |
| 1060210 | 2. Cap, pink Focus |
| 2208660 | 3. Handle 10ul MCP, Focus |
| 1060398 | 7. Tip ejector pusher 1-10ul Focus |
| 1060423 | 9b. Display window 3ul, 5ul, 10ul, 5ml, 10ml Focus |
| 1132450 | 13. Holder spring 0,6x6,5x160 |
| 1061220 | 21. Tip ejector bottom Focus 8ch 10ul |
| 2205860 | 31. Piston assy 10ul MCP, Digital |
| 10593510 | 33. Piston Support MCP 10ul |
| 10593280 | 35. Second Support MCP Digital |
| 1030380 | 36. O-ring 2x1 EPDM 70S |
| 1033160 | 37. O-ring 0,5x1,0 EPDM |
| 10593290 | 38. Sealing Casing |
| 1131900 | 39. Dash Spring 0,25x2,7x15 |
| 10593360 | 40. Spring Support |
| 1030170 | 41. O-ring 1,6x1,0 EPDM 70S |
| 2209110 | (12pcs) 42. Tip cone assy 10ul, 12pcs MCP Focus |
| 2208690 | Module 10ul 8ch MCP, Focus |
| 4610020 | Finnpipette FOCUS MCP 8ch 5-50ul |
| 1060170 | 2. Cap, yellow Focus |
| 2208670 | 3. Handle 50ul MCP, Focus |
| 1060396 | 7. Tip ejector pusher 5-50ul Focus |
| 1060422 | 9b. Display window 30ul, 50ul, 100ul Focus |
| 1061210 | 21. Tip ejector bottom Focus 8ch 50/300ul |
| 1132450 | 13. Holder spring 0,6x6,5x160 |
| 2208880 | 31. Piston assy 5-50ul MCP, Focus |
| 1131400 | 33. O-Ring Spring 0,5x7,7x14 |
| 10589500 | 35. Support ring 50ul |
| 1030480 | 36. O-ring 1,78x1,78 EPDM 70S |
| 1030160 | 37. O-ring 3.68x1.78 EPDM 70S |
| 2209090 | (12pcs) 42. Tip cone assy 50ul, 12pcs MCP Focus |
| 2208710 | Module 50ul 8ch MCP, Focus |
| 4610040 | Finnpipette FOCUS MCP 8ch 30-300ul |
| 1060160 | 2. Cap, orange Focus |
| 2208680 | 3. Handle 300ul MCP, Focus |
| 1060394 | 7. Tip ejector pusher 30-300ul Focus |
| 1060421 | 9b. Display window 300ul, 1000ul Focus |
| 1132440 | 13. Holder spring 0,63x6,5x160 |
| 1061210 | 21. Tip ejector bottom Focus 8ch 50/300ul |
| 2205960 | 31. Piston assy 300ul MCP, Digital |
| 1131400 | 33. O-Ring Spring 0,5x7,7x14 |
| 10589510 | 35. Support ring 300ul |
| 1030140 | 36. O-ring 4,5x1,5 EPDM 70S |
| 2208940 | (12pcs) 42. Tip cone assy 300ul, 12pcs MCP Focus |
| 2208730 | Module 300ul 8ch MCP, Focus |

FP FOCUS MCP 12-ch



3.Handle



Module

1-10µl



31

5-50µl



33



34



32



35



36



37



38



39



40



41



42

30-300µl



31



34



32



33



35



37



36



42



31



34



32



33



35



36



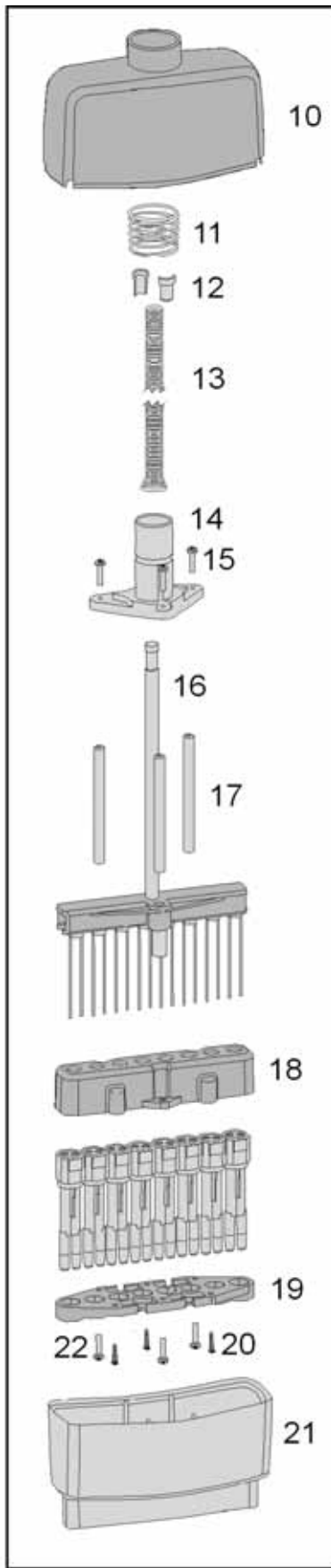
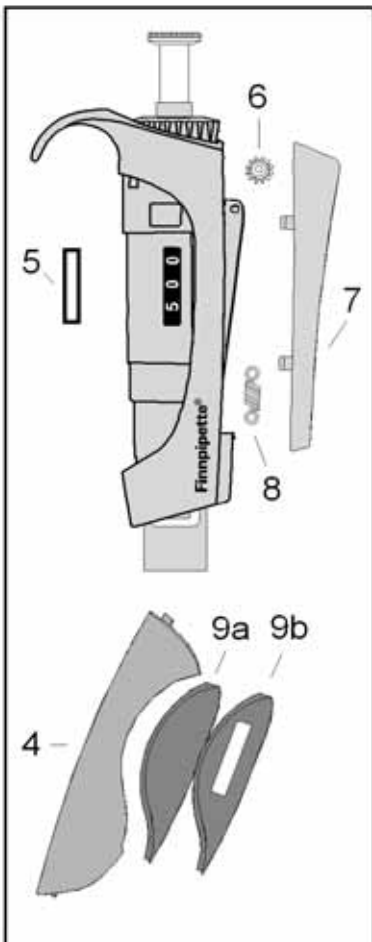
42

Finnpipette MCP Spare Parts 1.Jan.2010

Finnpipette FOCUS MCP 12-ch

| Reference | Part name |
|---------------------|--|
| On all 12-Ch Models | |
| 10593480 | 1. Service Tool Digital |
| 1060430 | 4. Snap-on handle piece, medium, turquoise |
| 1060840 | 5. Window frame Focus |
| 1060400 | 6. Cogwheel Focus |
| 1132360 | 8. Tip ejector pusher spring 0,4x4x15 |
| 1061080 | 9a. Solid window left Focus |
| 1061140 | 10. Tip ejector top, Focus 12ch |
| 1132390 | 11. Tip ejector spring 0,8x18,5x26 |
| 2208840 | 12. Locking pieces (2pcs) MCP, Focus |
| 1061120 | 14. Bushing Focus 12ch |
| 0210099 | 15. Screw M2,5x6 DIN 7985 A2 PZ |
| 2208770 | 16. Piston holder 12ch MCP, Focus |
| 11071940 | 17. Guide bar MCP, Focus |
| 1061100 | 18. Tip cone holder top Focus 12ch |
| 1061110 | 19. Tip cone holder bottom Focus 12ch |
| 0202040 | 20. Screw PT 2,2x12 WN 1442 |
| 0210098 | 22. Screw M2,5x8 DIN 7985 A2 |
| 1061020 | 32. Tip cone cover, grey |
| 1131790 | 34. Piston Spring 0,5x8x4,5 |
| 4610010 | Finnpipette FOCUS MCP 12ch 1-10ul micro |
| 1060210 | 2. Cap, pink Focus |
| 2208660 | 3. Handle 10ul MCP, Focus |
| 1060398 | 7. Tip ejector pusher 1-10ul Focus |
| 1060423 | 9b. Display window 3ul, 5ul, 10ul, 5ml, 10ml Focus |
| 1132450 | 13. Holder spring 0,6x6,5x160 |
| 1061160 | 21. Tip ejector bottom Focus 12ch 10ul |
| 2205860 | 31. Piston assy 10ul MCP, Digital |
| 10593510 | 33. Piston Support MCP 10ul |
| 10593280 | 35. Second Support MCP Digital |
| 1030380 | 36. O-ring 2x1 EPDM 70S |
| 1033160 | 37. O-ring 0,5x1,0 EPDM |
| 10593290 | 38. Sealing Casing |
| 1131900 | 39. Dash Spring 0,25x2,7x15 |
| 10593360 | 40. Spring Support |
| 1030170 | 41. O-ring 1,6x1,0 EPDM 70S |
| 2209110 | (12pcs) 42. Tip cone assy 10ul, 12pcs MCP Focus |
| 2208700 | Module 10ul 12ch MCP, Focus |
| 4610030 | Finnpipette FOCUS MCP 12ch 5-50ul |
| 1060170 | 2. Cap, yellow Focus |
| 2208670 | 3. Handle 50ul MCP, Focus |
| 1060396 | 7. Tip ejector pusher 5-50ul Focus |
| 1060422 | 9b. Display window 30ul, 50ul, 100ul Focus |
| 1132440 | 13. Holder spring 0,63x6,5x160 |
| 1061150 | 21. Tip ejector bottom Focus 12ch 50/300ul |
| 2208880 | 31. Piston assy 5-50ul MCP, Focus |
| 1131400 | 33. O-Ring Spring 0,5x7,7x14 |
| 10589500 | 35. Support ring 50ul |
| 1030480 | 36. O-ring 1,78x1,78 EPDM 70S |
| 1030160 | 37. O-ring 3.68x1.78 EPDM 70S |
| 2209090 | (12pcs) 42. Tip cone assy 50ul, 12pcs MCP Focus |
| 2208720 | Module 50ul 12ch MCP, Focus |
| 4610050 | Finnpipette FOCUS MCP 12ch 30-300ul |
| 1060160 | 2. Cap, orange Focus |
| 2208680 | 3. Handle 300ul MCP, Focus |
| 1060394 | 7. Tip ejector pusher 30-300ul Focus |
| 1060421 | 9b. Display window 300ul, 1000ul Focus |
| 1061150 | 21. Tip ejector bottom Focus 12ch 50/300ul |
| 1132430 | 13. Holder spring 0,7x6,5x160 |
| 2205960 | 31. Piston assy 300ul MCP, Digital |
| 1131400 | 33. O-Ring Spring 0,5x7,7x14 |
| 10589510 | 35. Support ring 300ul |
| 1030140 | 36. O-ring 4,5x1,5 EPDM 70S |
| 2208940 | (12pcs) 42. Tip cone assy 300ul, 12pcs MCP Focus |
| 2208740 | Module 300ul 12ch MCP, Focus |

FP FOCUS MCP 16-ch



**5-50µl
(16ch)**



Module

42

Finnpipette MCP Spare Parts 1.Jan.2010

Finnpipette FOCUS MCP 16-ch

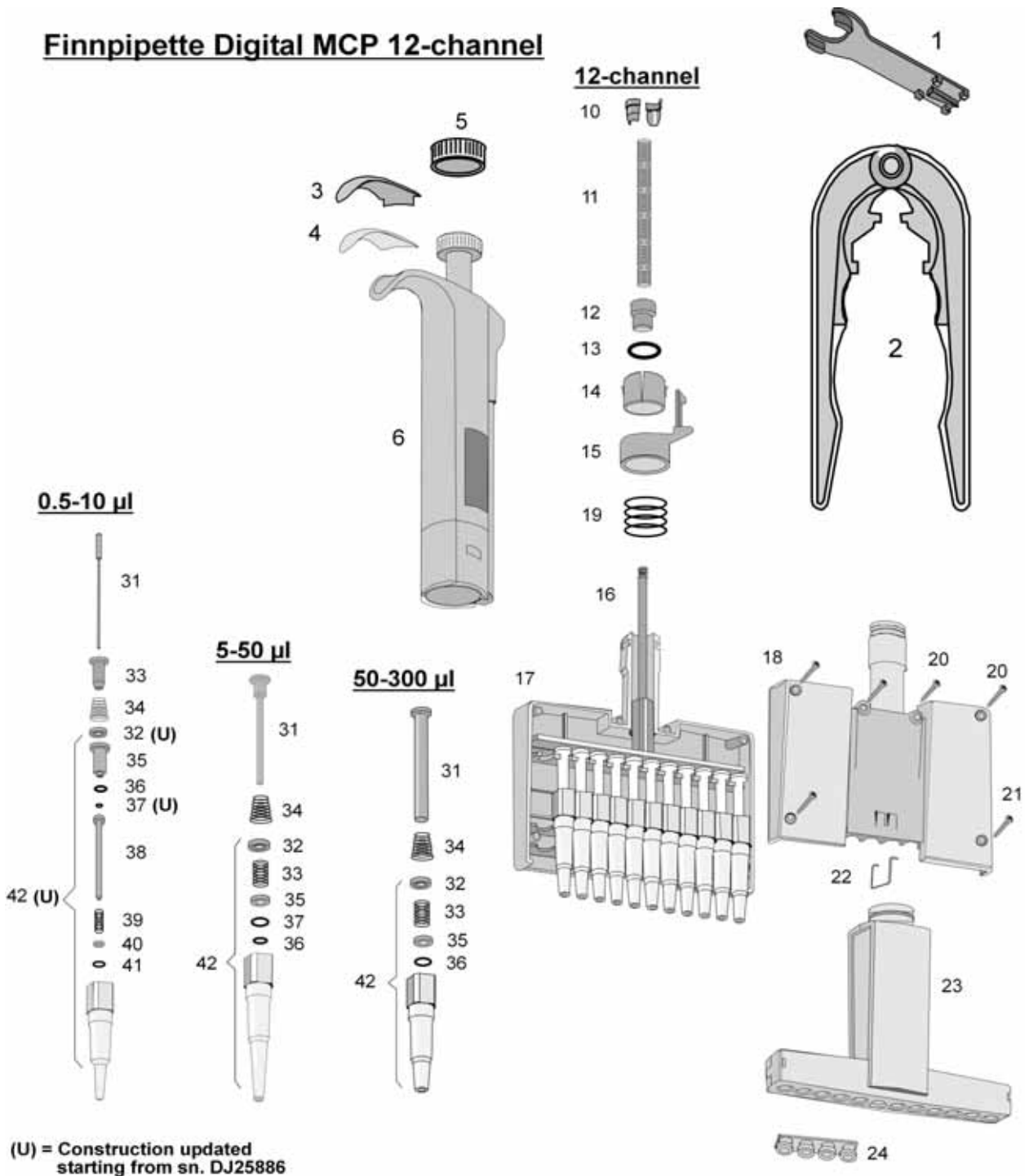
| Reference | Part name |
|----------------|--|
| 4610070 | Finnpipette FOCUS MCP 16ch 5-50ul micro |
| 10593480 | 1. Service Tool Digital |
| 1060240 | 2. Cap, turquoise Focus |
| 2208670 | 3. Handle 50ul MCP, Focus |
| 1060430 | 4. Snap-on handle piece, medium, turquoise |
| 1060840 | 5. Window frame Focus |
| 1060400 | 6. Cogwheel Focus |
| 1060396 | 7. Tip ejector pusher 5-50ul Focus |
| 1132360 | 8. Tip ejector pusher spring 0,4x4x15 |
| 1061080 | 9a. Solid window left Focus |
| 1060422 | 9b. Display window 30ul, 50ul, 100ul Focus |
| 1061200 | 10. Tip ejector top Focus 8ch |
| 1132390 | 11. Tip ejector spring 0,8x18,5x26 |
| 2208840 | 12. Locking pieces (2pcs) MCP, Focus |
| 1132440 | 13. Holder spring 0,63x6,5x160 |
| 1061230 | 14. Bushing Focus 8ch |
| 0210099 | 15. Screw M2,5x6 DIN 7985 A2 PZ |
| 2208760 | 16. Piston holder 8ch MCP, Focus |
| 11071940 | 17. Guide bar MCP, Focus |
| 1061170 | 18. Tip cone holder top Focus 8ch |
| 1061180 | 19. Tip cone holder bottom Focus 8ch |
| 0202040 | 20. Screw PT 2,2x12 WN 1442 |
| 1061260 | 21. Tip ejector bottom Focus 16ch 50ul |
| 0210098 | 22. Screw M2,5x8 DIN 7985 A2 |
| 11072010 | 31. Piston 50ul 16ch Novus |
| 10593840 | 32. Tip Cone Cover 16ch |
| 1132130 | 33. Piston Spring 0,25x3,6x11,5 |
| 1132150 | 34. Piston Spring 0,5x8x7,5 |
| 10593500 | 35. Spring support 50ul |
| 1030170 | 36. O-ring 1,6x1,0 EPDM 70S |
| 10593870 | 37. Piston head 16ch |
| 2207950 | (8pcs) 42. Tip cone assy 16ch 50ul, 8pcs |
| 2208750 | Module 50ul 16ch MCP, Focus |

Finnpipette MCP Spare Parts 1.Jan.2010

Finnpipette Digital MCP 8-ch

| Reference | Part name |
|-------------------|---|
| On all 8ch Models | |
| 10593480 | 1. Service Tool Digital |
| 2900510 | 2. Maintenance Pliers, Digital |
| 10593050 | 3. Label Window Digital |
| 1527200 | 4. Safety label silver Digital |
| 2207890 | 10. Locking pieces (2pcs) |
| 10593260 | 12. Spring Support MCP Digital |
| 1030590 | 13. O-ring 9,19x2,62 EPDM 70S |
| 10593220 | 14. Adapter MCP Digital |
| 10593210 | 15. Tip Ejector Ring Digital |
| 2205970 | 16. Piston Holder 8ch, Digital |
| 10589270 | 17. Body cover B 8-ch Digital |
| 10589260 | 18. Body cover A 8ch, Digital |
| 1131430 | 19. Module spring 0,7x16,5x23 |
| 0202040 | 20. Screw PT 2,2x12 WN 1442 |
| 0202020 | 21. Screw PT 2,2x8 WN 1442 |
| 1131930 | 22. Fastening Spring |
| 10589280 | 23. Tip Ejector 8-ch Digital |
| 1131790 | 34. Piston Spring 0,5x8x4,5 |
| 4510000 | Finnpipette Digital MCP 8ch 0.5-10ul micro |
| 1057480 | 5. Cap, grey Digital |
| 10592500 | 5. Soft cap, grey Digital |
| 2205810 | 6. Handle 10ul MCP, Digital |
| 1131890 | 11. Piston Spring 0,75x8,1x75 |
| 10593230 | 24. Tip Ejector Plate |
| 2205860 | 31. Piston assy 10ul MCP, Digital |
| 10589490 | 32. Tip Cone Cover, yellow |
| 1061020 | (U)32. Tip cone cover, grey |
| 10593510 | 33. Piston Support MCP 10ul |
| 10593280 | 35. Second Support MCP Digital |
| 1030380 | 36. O-ring 2x1 EPDM 70S |
| 1030060 | 37. O-ring 0,78x1,02 EPDM 70S |
| 1033160 | (U)37. O-ring 0,5x1,0 EPDM |
| 10593290 | 38. Sealing Casing |
| 1131900 | 39. Dash Spring 0,25x2,7x15 |
| 10593360 | 40. Spring Support |
| 1030170 | 41. O-ring 1,6x1,0 EPDM 70S |
| 2209110 | (U)(12) 42. Tip cone assy 10ul, 12pcs MCP Focus |
| 2205900 | Module 10ul 8ch, Digital |
| 4510020 | Finnpipette Digital MCP 8ch 5-50ul |
| 1057490 | 5. Cap, orange Digital |
| 10592510 | 5. Soft cap, orange Digital |
| 2205820 | 6. Handle 50ul MCP, Digital |
| 1131890 | 11. Piston Spring 0,75x8,1x75 |
| 2205950 | 31. Piston assy 50ul MCP, Digital |
| 1061020 | 32. Tip cone cover, grey |
| 1131400 | 33. O-Ring Spring 0,5x7,7x14 |
| 10589500 | 35. Support ring 50ul |
| 1030480 | 36. O-ring 1,78x1,78 EPDM 70S |
| 1030160 | 37. O-ring 3.68x1.78 EPDM 70S |
| 2209090 | (12pcs) 42. Tip cone assy 50ul, 12pcs MCP Focus |
| 2205910 | Module 50ul 8ch, Digital |
| 4510030 | Finnpipette Digital MCP 8ch 50-300ul |
| 1057500 | 5. Cap, yellow Digital |
| 10592520 | 5. Soft cap, yellow Digital |
| 2205830 | 6. Handle 300ul MCP, Digital |
| 1130720 | 11. Holder Spring 0,8x6,4x90 |
| 2205960 | 31. Piston assy 300ul MCP, Digital |
| 10589490 | 32. Tip Cone Cover, yellow |
| 1131400 | 33. O-Ring Spring 0,5x7,7x14 |
| 10589510 | 35. Support ring 300ul |
| 1030140 | 36. O-ring 4,5x1,5 EPDM 70S |
| 2207090 | (12pcs) 42. Tip cone assy 300ul, 12pcs Digital |
| 2205920 | Module 300ul 8ch, Digital |

Finnpipette Digital MCP 12-channel



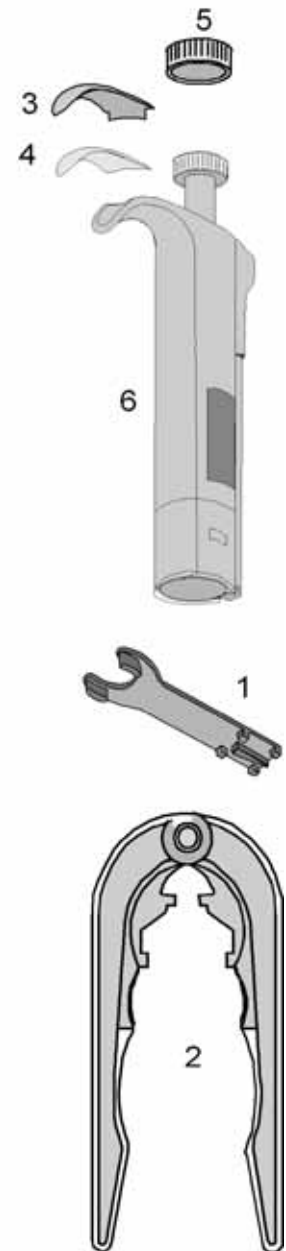
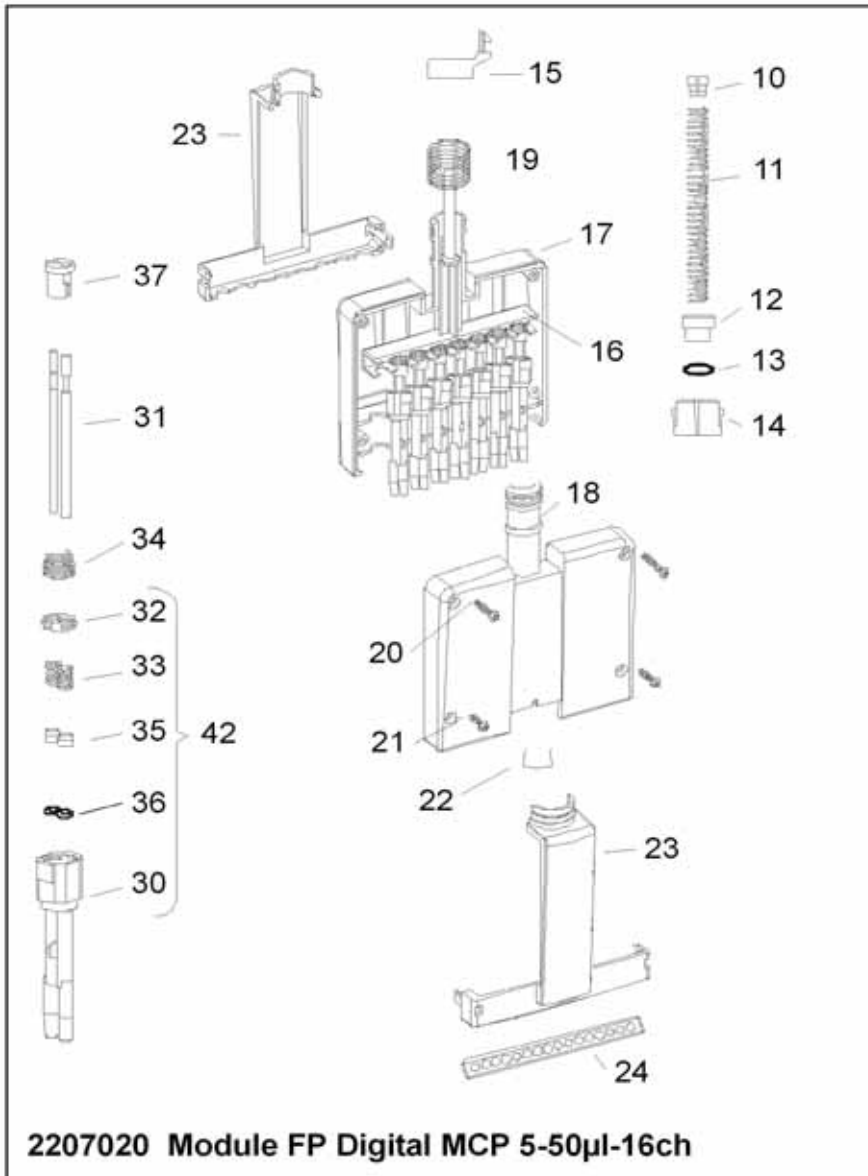
(U) = Construction updated starting from sn. DJ25886

Finnpipette MCP Spare Parts 1.Jan.2010

Finnpipette Digital MCP 12-ch

| Reference | Part name |
|--------------------|---|
| On all 12ch Models | |
| 10593480 | 1. Service Tool Digital |
| 2900510 | 2. Maintenance Pliers, Digital |
| 10593050 | 3. Label Window Digital |
| 1527200 | 4. Safety label silver Digital |
| 2207890 | 10. Locking pieces (2pcs) |
| 10593260 | 12. Spring Support MCP Digital |
| 1030590 | 13. O-ring 9,19x2,62 EPDM 70S |
| 10593220 | 14. Adapter MCP Digital |
| 10593210 | 15. Tip Ejector Ring Digital |
| 2205980 | 16. Piston Holder 12ch, Digital |
| 10590100 | 17. Body Cover B Digital |
| 10590090 | 18. Body Cover A Digital |
| 1131430 | 19. Module spring 0,7x16,5x23 |
| 0202040 | 20. Screw PT 2,2x12 WN 1442 |
| 0202020 | 21. Screw PT 2,2x8 WN 1442 |
| 1131930 | 22. Fastening Spring |
| 10590110 | 23. Tip Ejector 12-ch Digital |
| 1131790 | 34. Piston Spring 0,5x8x4,5 |
| 4510010 | Finnpipette Digital MCP 12ch 0.5-10ul micro |
| 1057480 | 5. Cap, grey Digital |
| 10592500 | 5. Soft cap, grey Digital |
| 2205810 | 6. Handle 10ul MCP, Digital |
| 1131890 | 11. Piston Spring 0,75x8,1x75 |
| 10593230 | 24. Tip Ejector Plate |
| 2205860 | 31. Piston assy 10ul MCP, Digital |
| 10589490 | 32. Tip Cone Cover, yellow |
| 1061020 | (U)32. Tip Cone Cover, grey |
| 10593510 | 33. Piston Support MCP 10ul |
| 10593280 | 35. Second Support MCP Digital |
| 1030380 | 36. O-ring 2x1 EPDM 70S |
| 1030060 | 37. O-ring 0,78x1,02 EPDM 70S |
| 1033160 | (U)37. O-ring 0.5 x 1.0 EPDM |
| 10593290 | 38. Sealing Casing |
| 1131900 | 39. Dash Spring 0,25x2,7x15 |
| 10593360 | 40. Spring Support |
| 1030170 | 41. O-ring 1,6x1,0 EPDM 70S |
| 2209110 | (U)(12) 42. FP-FOCUS MCP Tip cone assy 10µl, 12pcs |
| 2206910 | Module 10ul 12ch, Digital |
| 4510040 | Finnpipette Digital MCP 12ch 5-50ul |
| 1057490 | 5. Cap, orange Digital |
| 10592510 | 5. Soft cap, orange Digital |
| 2205820 | 6. Handle 50ul MCP, Digital |
| 1130680 | 11. Holder Spring 0,8x6,4x80 |
| 2205950 | 31. Piston assy 50ul MCP, Digital |
| 1061020 | 32. Tip cone cover, grey |
| 1131400 | 33. O-Ring Spring 0,5x7,7x14 |
| 10589500 | 35. Support ring 50ul |
| 1030480 | 36. O-ring 1,78x1,78 EPDM 70S |
| 1030160 | 37. O-ring 3.68x1.78 EPDM 70S |
| 2209090 | (12pcs) 42. Tip cone assy 50ul, 12pcs MCP Focus |
| 2205930 | Module 50ul 12ch, Digital |
| 4510050 | Finnpipette Digital MCP 12ch 50-300ul |
| 1057500 | 5. Cap, yellow Digital |
| 10592520 | 5. Soft cap, yellow Digital |
| 2205830 | 6. Handle 300ul MCP, Digital |
| 1130720 | 11. Holder Spring 0,8x6,4x90 |
| 2205960 | 31. Piston assy 300ul MCP, Digital |
| 10589490 | 32. Tip Cone Cover, yellow |
| 1131400 | 33. O-Ring Spring 0,5x7,7x14 |
| 10589510 | 35. Support ring 300ul |
| 1030140 | 36. O-ring 4,5x1,5 EPDM 70S |
| 2207090 | (12pcs) 42. Tip cone assy 300ul, 12pcs Digital |
| 2205940 | Module 300ul 12ch, Digital |

Finnpipette Digital MCP 16-channel

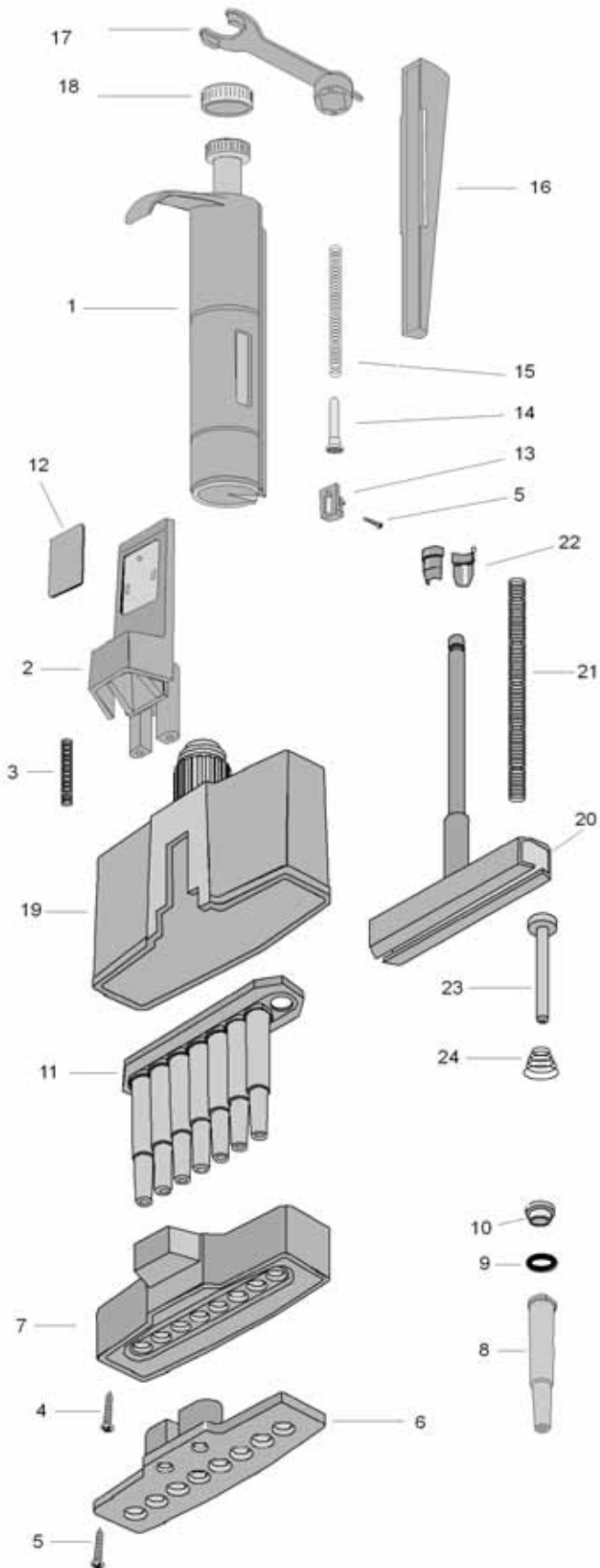


Finnpipette MCP Spare Parts 1.Jan.2010

FP Digital MCP 5 - 50µl 16-ch

| Reference | Part name |
|----------------|--|
| 4510070 | Finnpipette Digital MCP 16ch 5-50ul micro |
| 10593480 | 1. Service Tool Digital |
| 2900510 | 2. Maintenance Pliers, Digital |
| 10593050 | 3. Label Window Digital |
| 1527200 | 4. Safety label silver Digital |
| 10589830 | 5. Cap turquoise, Digital |
| 10592610 | 5. Soft cap turquoise, Digital |
| 2205820 | 6. Handle 50ul MCP, Digital |
| 2207890 | 10. Locking pieces (2pcs) |
| 1131890 | 11. Piston Spring 0,75x8,1x75 |
| 10593260 | 12. Spring Support MCP Digital |
| 1030590 | 13. O-ring 9,19x2,62 EPDM 70S |
| 10593220 | 14. Adapter MCP Digital |
| 10593210 | 15. Tip Ejector Ring Digital |
| 2205970 | 16. Piston Holder 8ch, Digital |
| 10589270 | 17. Body cover B 8-ch Digital |
| 10589260 | 18. Body cover A 8ch, Digital |
| 1131430 | 19. Module spring 0,7x16,5x23 |
| 0202040 | 20. Screw PT 2,2x12 WN 1442 |
| 0202020 | 21. Screw PT 2,2x8 WN 1442 |
| 1131930 | 22. Fastening Spring |
| 10589285 | 23. Tip Ejector 16-ch Digital |
| 10593800 | 24. Tip Ejector Plate MCP 16ch |
| 11071320 | 31. Piston 50ul 16ch Digital |
| 10593840 | 32. Tip Cone Cover 16ch |
| 1132130 | 33. Piston Spring 0,25x3,6x11,5 |
| 1131790 | 34. Piston Spring 0,5x8x4,5 |
| 10593500 | 35. Spring support 50ul |
| 1030170 | 36. O-ring 1,6x1,0 EPDM 70S |
| 10593870 | 37. Piston head 16ch |
| 2207950 | (8pcs) 42. Tip cone assy 16ch 50ul, 8pcs |
| 2207020 | Module 50ul 16ch, Digital |

Finnpipette Colour MCP 4 and 8-ch

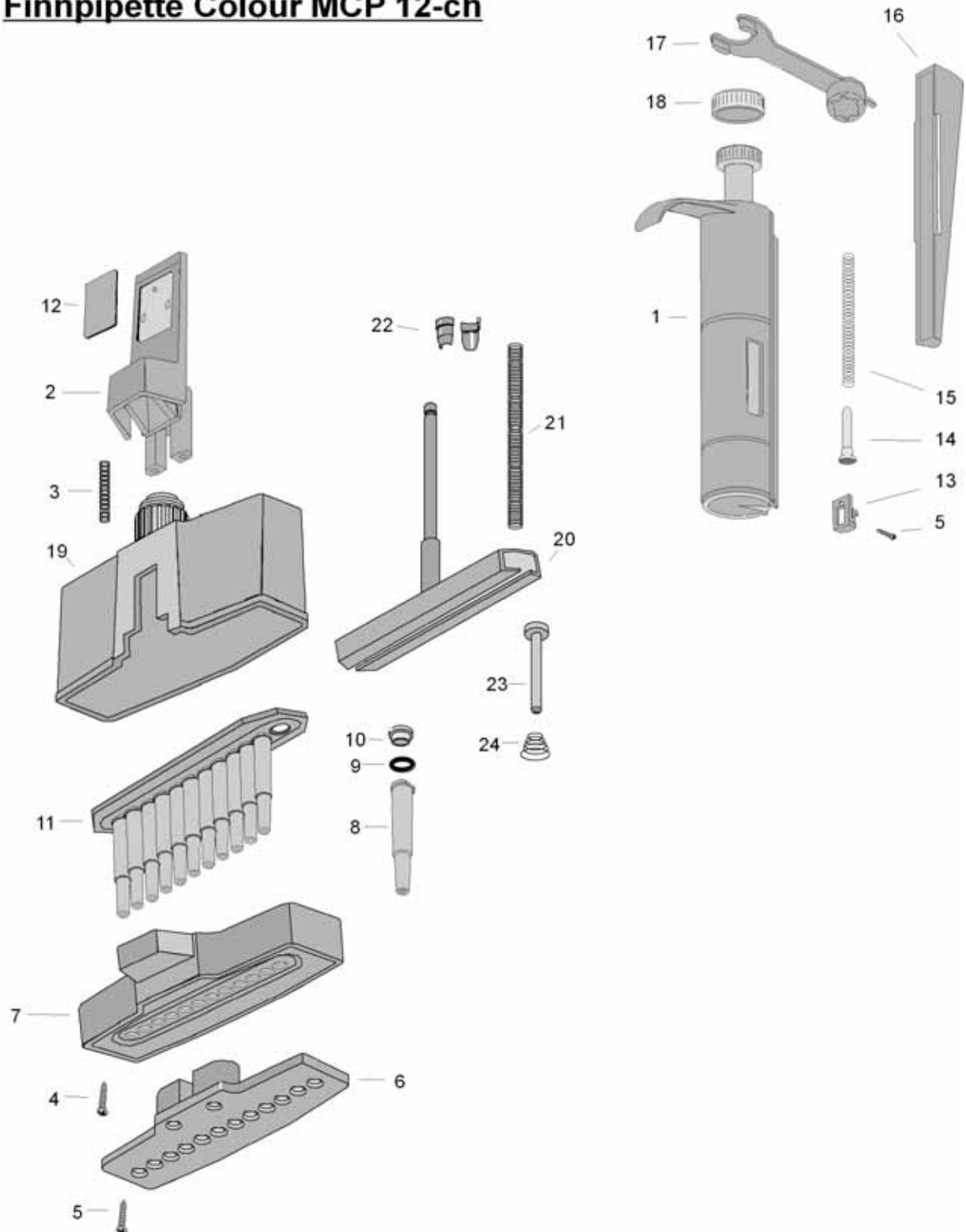


Finnpipette MCP Spare Parts 1.Jan.2010

FP Colour MCP 4 and 8-ch

| Reference | Part name |
|------------------------------|---|
| On all Models (4 and 8-ch) | |
| 1130111 | 3. Tip ejector spring 0,5x4,7x31 |
| 0202061 | 4. Screw RX PT 2-28x16 M DIN 1442 |
| 0202021 | 5. Screw RX PT 2-28x 8 M DIN 1442 |
| 1527110 | 12. Label MCP Colour |
| 1054820 | 13. Tip Ejector Pusher Holder |
| 1056630 | 14. Spring support |
| 1130570 | 15. Tip Ejector Pusher Spring 0,5x4,6x58 |
| 10589070 | 17. Service tool, Colour |
| 10588850 | 18. Cap, white Digital |
| 1130680 | 21. Holder Spring 0,8x6,4x80 |
| 2207890 | 22. Locking pieces (2pcs) |
| 1131630 | 24. Piston Spring 0,6x7,4x8 |
| 2207130 | (12pcs) 10. Collar 5-50ul MCP, 12pcs Colour |
| 2207140 | (12pcs) 10. Collar 50-300ul MCP, 12pcs Colour |
| 4173180 | Finnpipette Colour MCP 4ch 5-50ul |
| 2205130 | 1. Handle 50ul, MCP Colour |
| 10590140 | 2. Tip Ejector 5-50ul Colour |
| 10590280 | 6. Tip ejector plate 4ch 50ul, Colour |
| 10590220 | 7. Body cover 4ch 50ul, Colour |
| 10590340 | 8. Tip Cone 5-50ul MCP Colour |
| 1030480 | 9. O-ring 1,78x1,78 EPDM 70S |
| 1056030 | 10. Collar MCP 50ul |
| 1056080 | 11. Tip Cone Holder 4ch 50 ul |
| 10588776 | 16. Tip Ejector Pusher MCP 5-50ul |
| 2205070 | 19. Body 50ul, 4ch Colour |
| 1054523 | 20. Piston holder 4ch, Colour |
| 2201240 | 23. Piston assy 50ul, MCP Colour |
| 4173190 | Finnpipette Colour MCP 4ch 50-300ul |
| 2205140 | 1. Handle 300ul, MCP Colour |
| 10590150 | 2. Tip Ejector 50-300ul Colour |
| 10590290 | 6. Tip ejector plate 4ch 300ul, Colour |
| 10590230 | 7. Body cover 4ch 300ul, Colour |
| 10590350 | 8. Tip Cone 50-300ul MCP Colour |
| 1030260 | 9. O-ring 5x1,5 EPDM 70S |
| 1056040 | 10. Collar MCP 300ul |
| 1056110 | 11. Tip Cone Holder 4ch 300 ul |
| 10588786 | 16. Tip Ejector Pusher MCP 50-300ul |
| 2205080 | 19. Body 300ul, 4ch Colour |
| 1054523 | 20. Piston holder 4ch, Colour |
| 2202940 | 23. Piston assy 300ul, MCP Colour |
| 4173200 | Finnpipette Colour MCP 8ch 5-50ul |
| 2205130 | 1. Handle 50ul, MCP Colour |
| 10590140 | 2. Tip Ejector 5-50ul Colour |
| 10590300 | 6. Tip Ejector Plate 8-channel 5-50ul |
| 10590240 | 7. Body Cover 8-ch 5-50ul |
| 10590340 | 8. Tip Cone 5-50ul MCP Colour |
| 1030480 | 9. O-ring 1,78x1,78 EPDM 70S |
| 1056030 | 10. Collar MCP 50ul |
| 1056090 | 11. Tip Cone Holder 8ch 50 ul |
| 10588776 | 16. Tip Ejector Pusher MCP 5-50ul |
| 2205090 | 19. Body 50ul, 8ch Colour |
| 10590770 | 20. Piston Holder 8-ch Colour |
| 2201240 | 23. Piston assy 50ul, MCP Colour |
| 4173210 | Finnpipette Colour MCP 8ch 50-300ul |
| 2205140 | 1. Handle 300ul, MCP Colour |
| 10590150 | 2. Tip Ejector 50-300ul Colour |
| 10590310 | 6. Tip Ejector Plate 8-channel 50-300ul |
| 10590250 | 7. Body Cover 8-ch 50-300ul |
| 10590350 | 8. Tip Cone 50-300ul MCP Colour |
| 1030260 | 9. O-ring 5x1,5 EPDM 70S |
| 1056040 | 10. Collar MCP 300ul |
| 1056120 | 11. Tip Cone Holder 8-ch 300 ul |
| 10588786 | 16. Tip Ejector Pusher MCP 50-300ul |
| 2205100 | 19. Body 300ul, 8ch Colour |
| 10590770 | 20. Piston Holder 8-ch Colour |
| 2202940 | 23. Piston assy 300ul, MCP Colour |

Finnpipette Colour MCP 12-ch



Finnpipette MCP Spare Parts 1.Jan.2010

FP Colour MCP 12-ch

| Reference | Part name |
|-------------------------|---|
| On all Models (12-ch) | |
| 1130111 | 3. Tip ejector spring 0,5x4,7x31 |
| 0202061 | 4. Screw RX PT 2-28x16 M DIN 1442 |
| 0202021 | 5. Screw RX PT 2-28x 8 M DIN 1442 |
| 1527110 | 12. Label MCP Colour |
| 1054820 | 13. Tip Ejector Pusher Holder |
| 1056630 | 14. Spring support |
| 1130570 | 15. Tip Ejector Pusher Spring 0,5x4,6x58 |
| 10589070 | 17. Service tool, Colour |
| 10588850 | 18. Cap, white Digital |
| 10590810 | 20. Piston Holder 12-ch Colour |
| 1130720 | 21. Holder Spring 0,8x6,4x90 |
| 2207890 | 22. Locking pieces (2pcs) |
| 1131630 | 24. Piston Spring 0,6x7,4x8 |
| 2207130 | (12pcs) 10. Collar 5-50ul MCP, 12pcs Colour |
| 2207140 | (12pcs) 10. Collar 50-300ul MCP, 12pcs Colour |

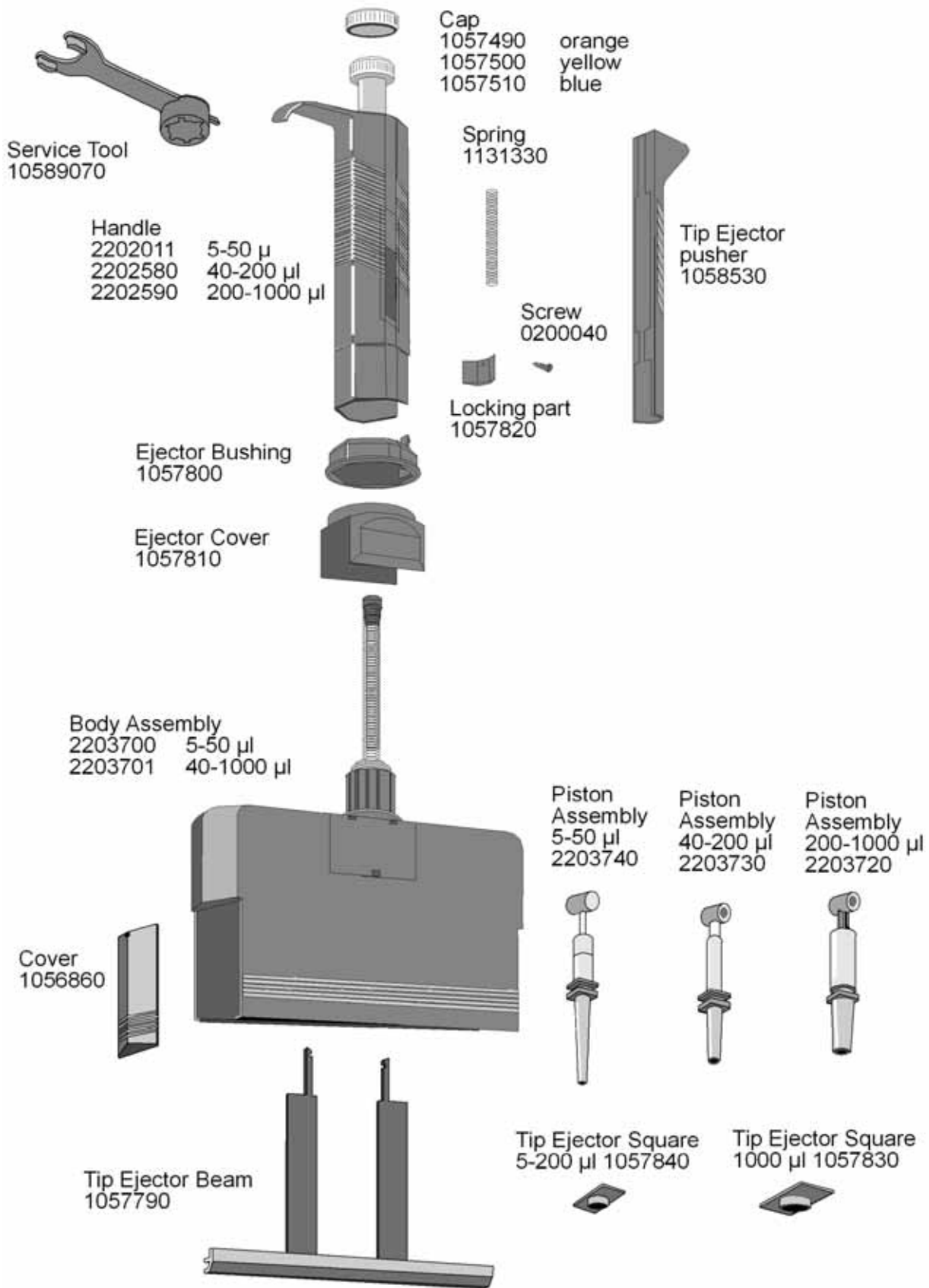
4173220 Finnpiquette Colour MCP 12ch 5-50ul

| | |
|----------|--|
| 2205130 | 1. Handle 50ul, MCP Colour |
| 10590140 | 2. Tip Ejector 5-50ul Colour |
| 10590320 | 6. Tip ejector plate 12ch 50ul, Colour |
| 10590260 | 7. Body cover 12ch 50ul, Colour |
| 10590340 | 8. Tip Cone 5-50ul MCP Colour |
| 1030480 | 9. O-ring 1,78x1,78 EPDM 70S |
| 1056030 | 10. Collar MCP 50ul |
| 1056100 | 11. Tip Cone Holder 12ch 50 ul |
| 10588776 | 16. Tip Ejector Pusher MCP 5-50ul |
| 2205110 | 19. Body 50ul, 12ch Colour |
| 2201240 | 23. Piston assy 50ul, MCP Colour |

4173230 Finnpiquette Colour MCP 12ch 50-300ul

| | |
|----------|--|
| 2205140 | 1. Handle 300ul, MCP Colour |
| 10590150 | 2. Tip Ejector 50-300ul Colour |
| 10590330 | 6. Tip Ejector Plate 12-channel 50-300ul |
| 10590270 | 7. Body Cover 12-ch 50-300ul |
| 10590350 | 8. Tip Cone 50-300ul MCP Colour |
| 1030260 | 9. O-ring 5x1,5 EPDM 70S |
| 1056040 | 10. Collar MCP 300ul |
| 1056130 | 11. Tip Cone Holder 12-ch 300 ul |
| 10588786 | 16. Tip Ejector Pusher MCP 50-300ul |
| 2205120 | 19. Body 300ul, 12ch Colour |
| 2202940 | 23. Piston assy 300ul, MCP Colour |

Finnpipette Varichannel

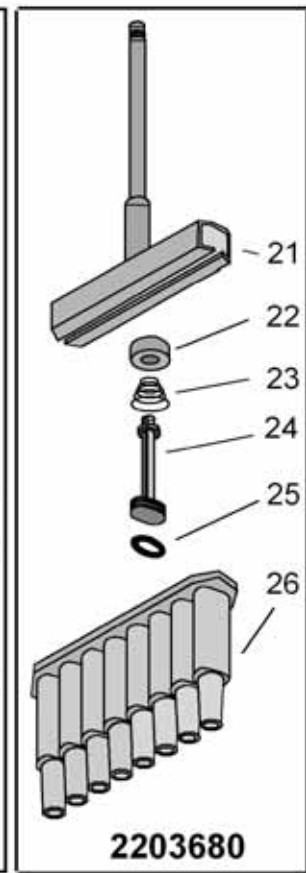
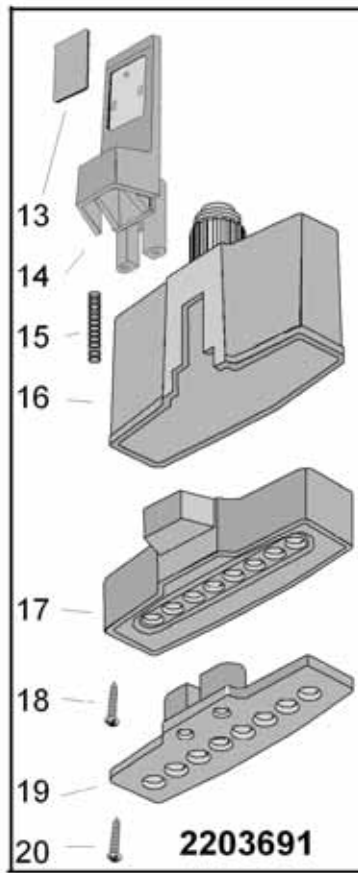
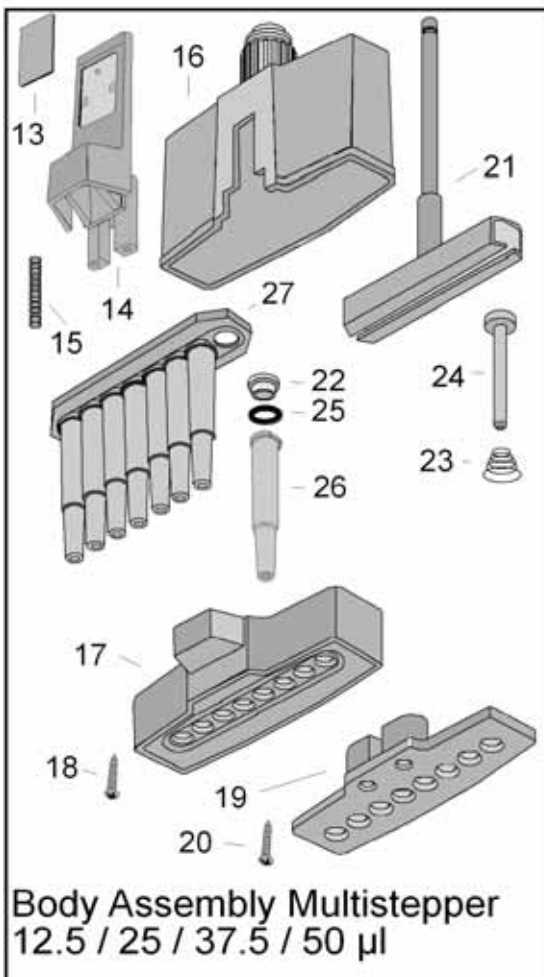
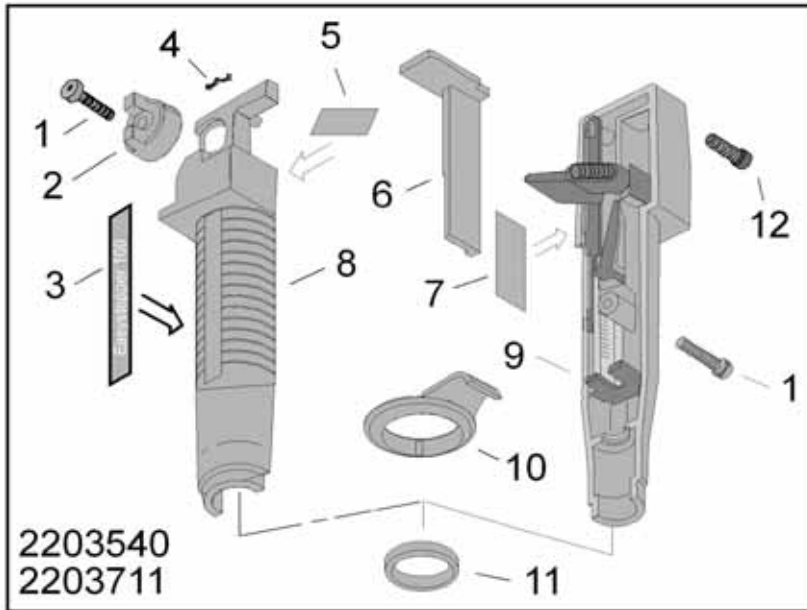


Finnpipette MCP Spare Parts 1.Jan.2010

Finnpipette Varichannel

| Reference | Part name |
|------------------|--|
| 4347010 | Finnpipette Varichannel 12ch 5-50ul |
| 1057490 | Cap, orange Digital |
| 1131330 | Spring 0,4x3x25 |
| 2202011 | Handle 50ul, Varichannel |
| 0200040 | Screw 2,2x4,5 DIN 7981 Z |
| 1058530 | Tip ejector pusher, Varichannel |
| 1057820 | Locking part, Varichannel |
| 1057800 | Ejector bushing, Varichannel |
| 1057810 | Ejector cover Varichannel |
| 2203700 | Body 50ul, Varichannel |
| 1056860 | Cover Varichannel |
| 1057790 | Tip ejector beam Varichannel |
| 2203740 | Piston assy 50ul, Varichannel |
| 1057840 | Tip Ejector Square 200ul Varichannel |
| 10589070 | Service tool, Colour |
| 4347020 | Finnpipette Varichannel 12ch 40-200ul |
| 1057500 | Cap, yellow Digital |
| 1131330 | Spring 0,4x3x25 |
| 2202580 | Handle 200ul, Varichannel |
| 0200040 | Screw 2,2x4,5 DIN 7981 Z |
| 1058530 | Tip ejector pusher, Varichannel |
| 1057820 | Locking part, Varichannel |
| 1057800 | Ejector bushing, Varichannel |
| 1057810 | Ejector cover Varichannel |
| 2203701 | Body 1000ul, Varichannel |
| 1056860 | Cover Varichannel |
| 1057790 | Tip ejector beam Varichannel |
| 2203730 | Piston assy 200ul, Varichannel |
| 1057840 | Tip Ejector Square 200ul Varichannel |
| 10589070 | Service tool, Colour |
| 4347030 | Finnpipette Varichannel 10ch 200-1000ul |
| 1057510 | Cap, blue Digital |
| 1131330 | Spring 0,4x3x25 |
| 2202590 | Handle 1000ul, Varichannel |
| 0200040 | Screw 2,2x4,5 DIN 7981 Z |
| 1058530 | Tip ejector pusher, Varichannel |
| 1057820 | Locking part, Varichannel |
| 1057800 | Ejector bushing, Varichannel |
| 1057810 | Ejector cover Varichannel |
| 2203701 | Body 1000ul, Varichannel |
| 1056860 | Cover Varichannel |
| 1057790 | Tip ejector beam Varichannel |
| 2203720 | Piston assy 1000ul, Varichannel |
| 1057830 | Tip Ejector Square 1000ul Varichannel |
| 10589070 | Service tool, Colour |

Finnpipette Multistepper



Body Assembly Multistepper
12.5 / 25 / 37.5 / 50 µl

Finnpipette MCP Spare Parts 1.Jan.2010

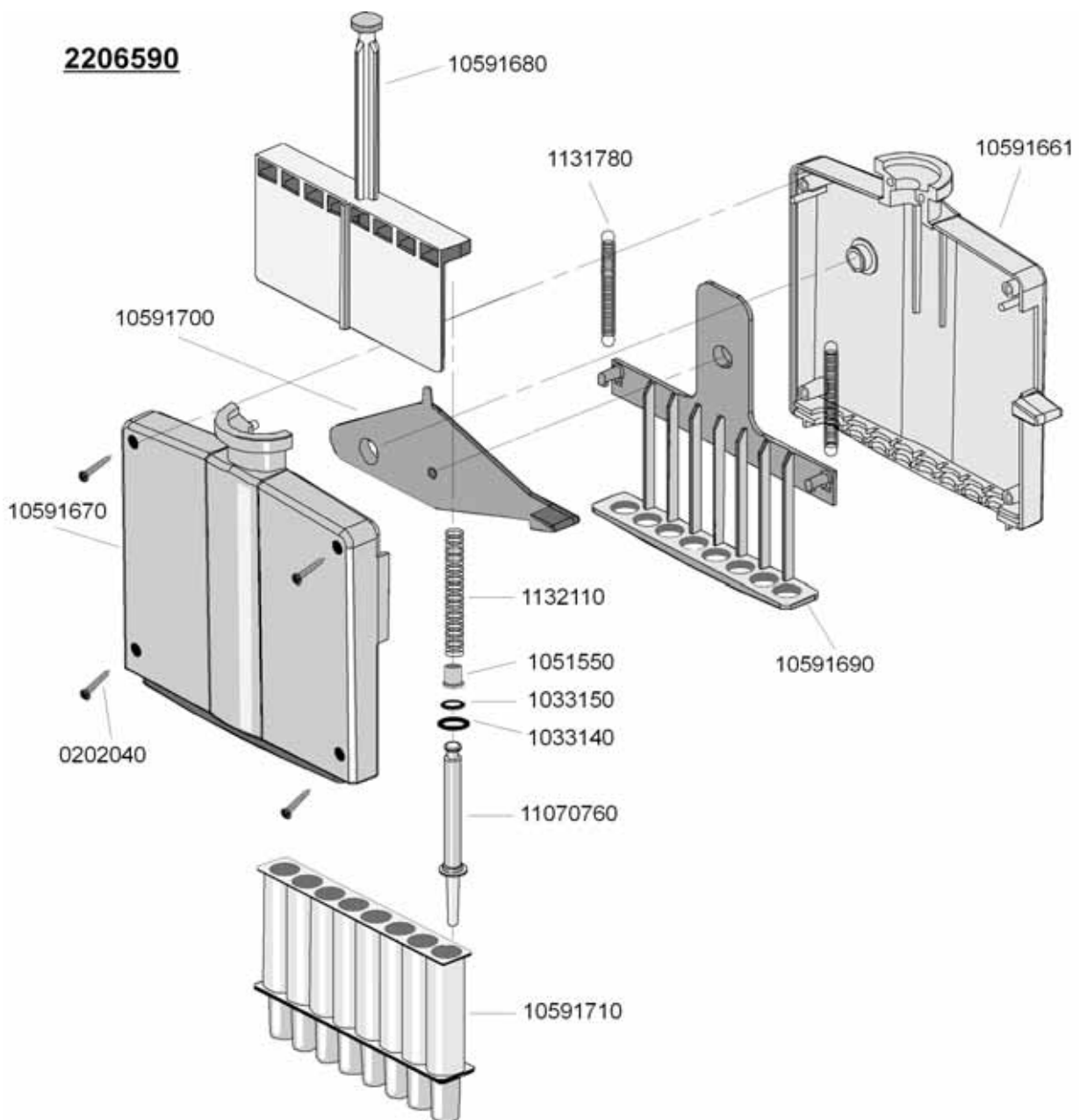
Finnpipette Multistepper

| Reference | Part name |
|----------------|--|
| 4407950 | Finnpipette Multistepper 12.5 /25 /37.5 /50ul |
| 2203540 | Handle assy 50ul, Multistepper |
| 0212281 | 1. Screw M3 x 18 DIN 912 ZM |
| | 2. Volume Selector |
| | 3. Name Label |
| 1131670 | 4. Snap spring, Multistepper |
| | 5. Storage Label |
| 1053440 | 6. Loading lever, Multistepper |
| | 7. Volume Label |
| | 8. Handle, front part |
| | 9. Handle, rear part & mechanism |
| 1058350 | 10. Grippy, Multistepper |
| 1057000 | 11. Locking ring, Multistepper |
| 0212181 | 12. Screw M3 x 10 DIN 912 ZM |
| | Body Assembly Multist. 12.5/25/37.5/50µl |
| | 13. Label |
| 1058550 | 14. Tip ejector, upper part |
| 1130111 | 15. Tip ejector spring 0,5x4,7x31 |
| 1058540 | 16. Body upper part, Multistepper |
| 1055970 | 17. Body cover 50ul, Multistepper |
| 0202061 | 18. Screw RX PT 2-28x16 M DIN 1442 |
| 1056000 | 19. Tip ejector plate 50 ul, Multistepper |
| 0202021 | 20. Screw RX PT 2-28x 8 M DIN 1442 |
| 10590790 | 21. Piston Holder, Multistepper |
| 1056040 | 22. Collar MCP 300ul |
| 1131630 | 23. Piston Spring 0,6x7,4x8 |
| 2204880 | 24. Pistons |
| 1030260 | 25. O-ring 5x1,5 EPDM 70S |
| 1056060 | 26. Tip cone 50 ul, Multistepper |
| 1056120 | 27. Tip Cone Holder 8-ch 300 ul |
| 4407927 | Finnpipette Multistepper 50/100/150/200ul |
| 2203711 | Handle, Multistepper |
| 0212281 | 1. Screw M3 x 18 DIN 912 ZM |
| | 2. Volume Selector |
| | 3. Name Label |
| 1131670 | 4. Snap spring, Multistepper |
| | 5. Storage Label |
| 1053440 | 6. Loading lever, Multistepper |
| | 7. Volume Label |
| | 8. Handle, front part |
| | 9. Handle, rear part & mechanism |
| 1058350 | 10. Grippy, Multistepper |
| 1057000 | 11. Locking ring, Multistepper |
| 0212181 | 12. Screw M3 x 10 DIN 912 ZM |
| 2203691 | Body assy 200ul, Multistepper |
| | 13. Label |
| 1058550 | 14. Tip ejector, upper part |
| 1130111 | 15. Tip ejector spring 0,5x4,7x31 |
| 1058540 | 16. Body upper part, Multistepper |
| 1055860 | 17. Body cover 200ul, Multistepper |
| 0202061 | 18. Screw RX PT 2-28x16 M DIN 1442 |
| 1055870 | 19. Tip ejector plate 200 ul, Multistepper |
| 0202021 | 20. Screw RX PT 2-28x 8 M DIN 1442 |
| 2203680 | Cylinder-Piston assy 200ul Multistepper |
| 10590790 | 21. Piston Holder, Multistepper |
| 1030880 | 25. O-ring 6,75x1,78 EPDM 70S |
| 2203090 | (22-25) Piston assy 200ul, Multistepper |
| 1058580 | 26. Cylinder block, Multistepper |

Finnpipette MCP Spare Parts 1.Jan.2010

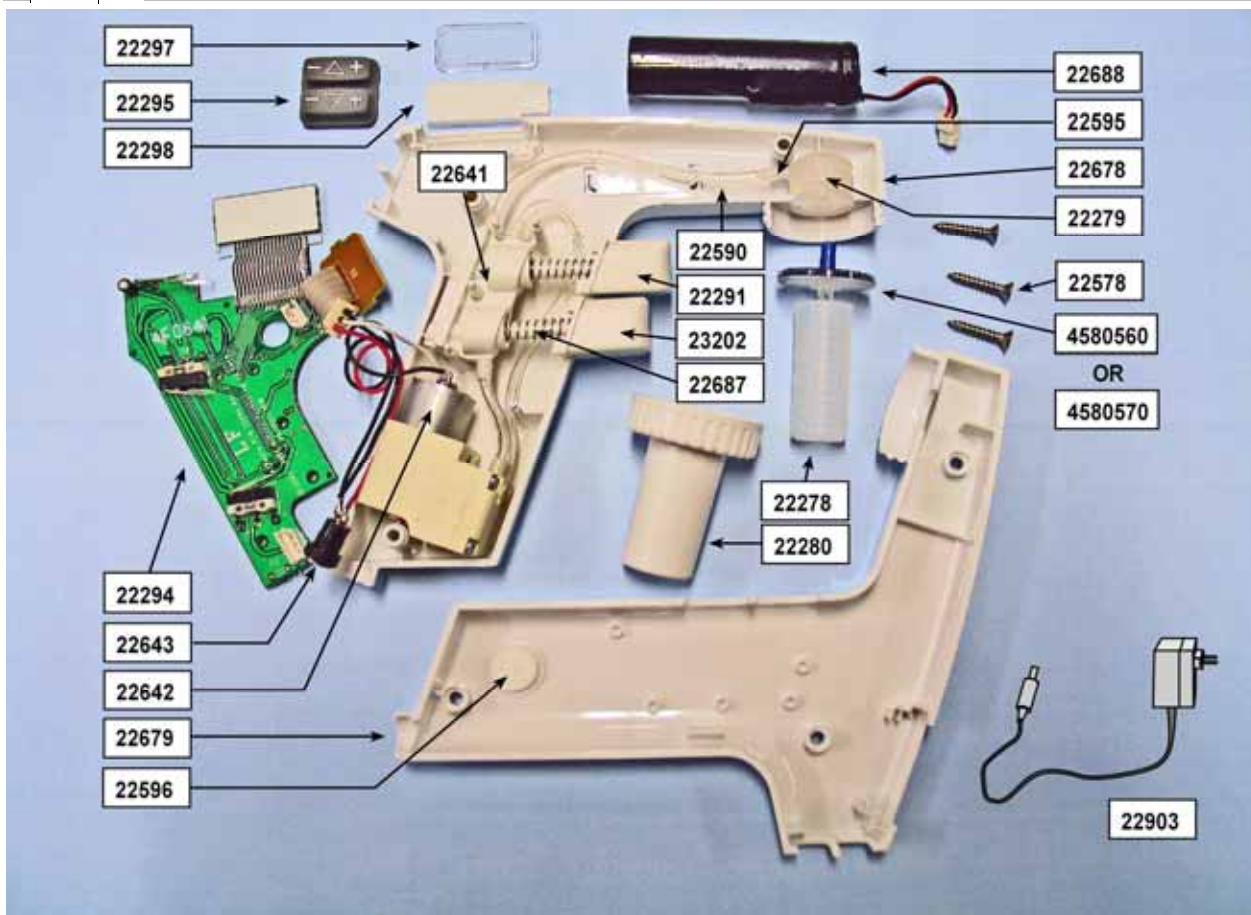
Finnpipette Multistepper Module

| Reference | Part name |
|----------------|---|
| 2206590 | Finnpipette Multistepper Module 50-250ul |
| 10591680 | Piston Holder MCP Stepper |
| 1131780 | Pullback Spring 0,4x4x21 |
| 10591661 | Body Cover 1 MCP Stepper printed |
| 10591690 | Tip Ejector MCP Stepper |
| 1132110 | Spring 0,5x5,7x46 |
| 1051550 | O-ring Cap |
| 1033140 | O-ring 4.6x1.6 EPDM |
| 1033150 | O-ring 4x1 EPDM |
| 11070760 | Piston Multistepper |
| 10591710 | Cylinder block, Multistepper |
| 0202040 | Screw PT 2,2x12 WN 1442 |
| 10591670 | Body Cover 2 MCP Stepper |
| 10591700 | Tip ejector pusher, Multistepper |



Finnpipette C1 Spare Parts 1.Jan.2010

EUR ▼

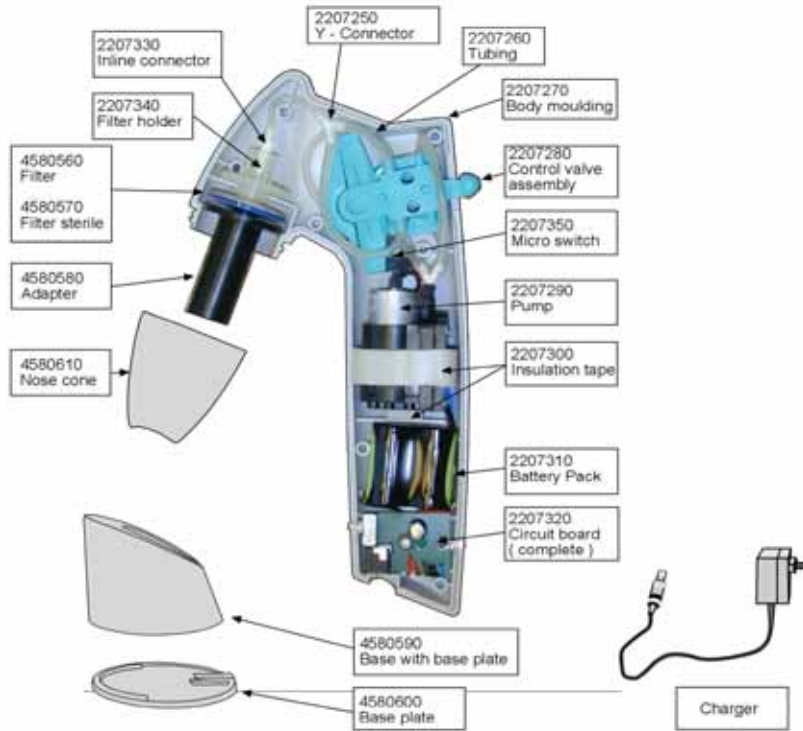


Finnpipette C1

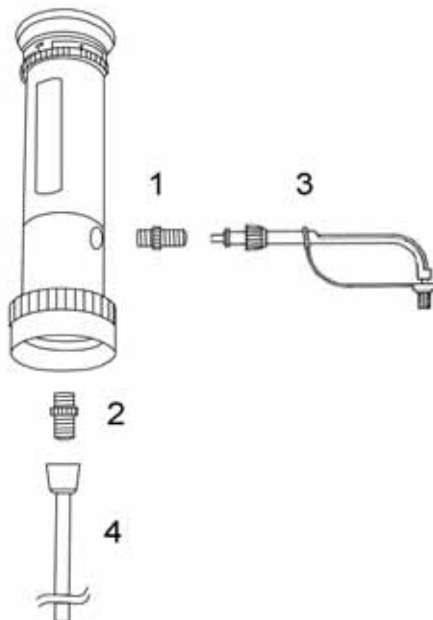
| Reference | Part name |
|-----------|-------------------------------------|
| 22278 | Gripper, pipette |
| 22279 | Retainer, filter |
| 22280 | Pipette gripper housing |
| 22291 | Trigger, Fill, Cellmate II |
| 22294 | PCB, main CellMate II |
| 22295 | Keypad, rubber CellMate II |
| 22297 | Lens, CellMate II |
| 22298 | Backlight, CellMate II |
| 22590 | Tubing, pvc Cellmate |
| 22595 | Connector, tube 1/16" |
| 22596 | Pad, felt adhesive back |
| 22641 | Assy, valve/trigger |
| 22642 | Assy, motor/pump |
| 22643 | Cable, motor assy CellMate II |
| 22678 | Housing, CellMate II left white |
| 22679 | Housing, CellMate II right white |
| 22687 | Spring, Cellmate II |
| 22688 | Battery, lithium ion w/conn |
| 22903 | Power supply, universal CellMat |
| 23202 | Trigger, Dispense, Cellmate II |
| 4580560 | Filter, Finnpipette C1, non sterile |
| 4580570 | Filter, Finnpipette C1, sterile |

BioMate, Dispenser, Pipette Accessories and Digital Additions

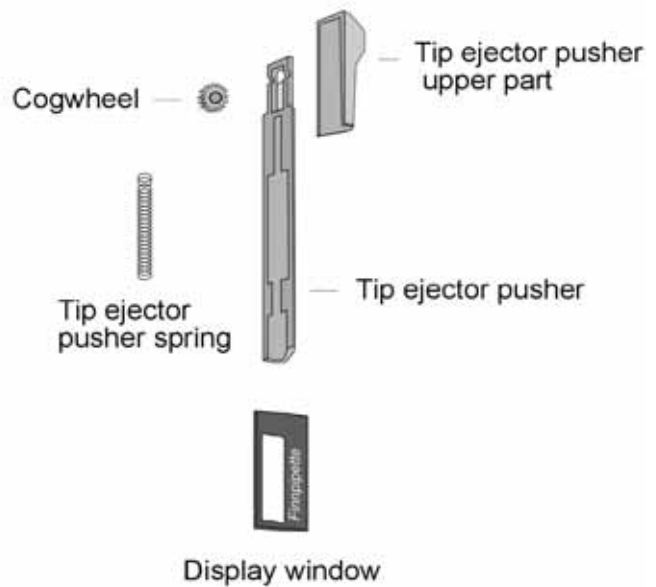
Finnpipette BioMate spare parts



Finnpipette Dispenser



Finnpipette Digital Additions



BioMate, Dispenser, Pipette Accessories and Digital Additions

Finnpipette BioMate

| Reference | Part name |
|-----------|-------------------------------------|
| 2207250 | Y-connector, BioMate |
| 2207260 | Tubing, BioMate |
| 2207270 | Body moulding, BioMate |
| 2207280 | Control valve assy, BioMate |
| 2207290 | Pump, BioMate |
| 2207300 | Insulation tape, BioMate |
| 2207310 | Battery pack, BioMate |
| 2207320 | PCB assy, BioMate |
| 2207330 | Inline connector, BioMate |
| 2207340 | Filter holder, BioMate |
| 2207350 | Micro switch, BioMate |
| 4580580 | Silicone pipette adapter, BioMate |
| 4580590 | Base with base plate, BioMate |
| 4580600 | Base Plate, BioMate |
| 4580610 | Nose cone, BioMate |
| 4580660 | Charger EUR, BioMate |
| 4580670 | Charger UK, BioMate |
| 4580680 | Charger USA, BioMate |
| 4580690 | Charger Japan, BioMate |
| 4580700 | Charger Australia, BioMate |
| 4580560 | Filter, Finnpipette C1, non sterile |
| 4580570 | Filter, Finnpipette C1, sterile |

Finnpipette Dispenser

| | |
|----------------|--------------------------------------|
| 4421120 | Finnpipette Dispenser 0,2-1ml |
| 4421180 | 1. Discharge valve 0,2-10ml |
| 4421190 | 2. Suction valve 0,2-10ml |
| 4421200 | 3. Discharge tube 0,2-10ml |
| 4421210 | 4. Suction tube 0,2-10ml |
| 4421130 | Finnpipette Dispenser 0,4-2ml |
| 4421180 | 1. Discharge valve 0,2-10ml |
| 4421190 | 2. Suction valve 0,2-10ml |
| 4421200 | 3. Discharge tube 0,2-10ml |
| 4421210 | 4. Suction tube 0,2-10ml |
| 4421140 | Finnpipette Dispenser 1-5ml |
| 4421180 | 1. Discharge valve 0,2-10ml |
| 4421190 | 2. Suction valve 0,2-10ml |
| 4421200 | 3. Discharge tube 0,2-10ml |
| 4421210 | 4. Suction tube 0,2-10ml |
| 4421150 | Finnpipette Dispenser 2-10ml |
| 4421180 | 1. Discharge valve 0,2-10ml |
| 4421190 | 2. Suction valve 0,2-10ml |
| 4421200 | 3. Discharge tube 0,2-10ml |
| 4421210 | 4. Suction tube 0,2-10ml |
| 4421160 | Finnpipette Dispenser 5-30ml |
| 4421220 | 3. Discharge tube 30&60ml |
| 4421230 | 4. Suction tube 30&60ml |
| 4421240 | 1. Discharge valve 30&60ml |
| 4421250 | 2. Suction valve 30&60ml |
| 4421170 | Finnpipette Dispenser 10-60ml |
| 4421220 | 3. Discharge tube 30&60ml |
| 4421230 | 4. Suction tube 30&60ml |
| 4421240 | 1. Discharge valve 30&60ml |
| 4421250 | 2. Suction valve 30&60ml |

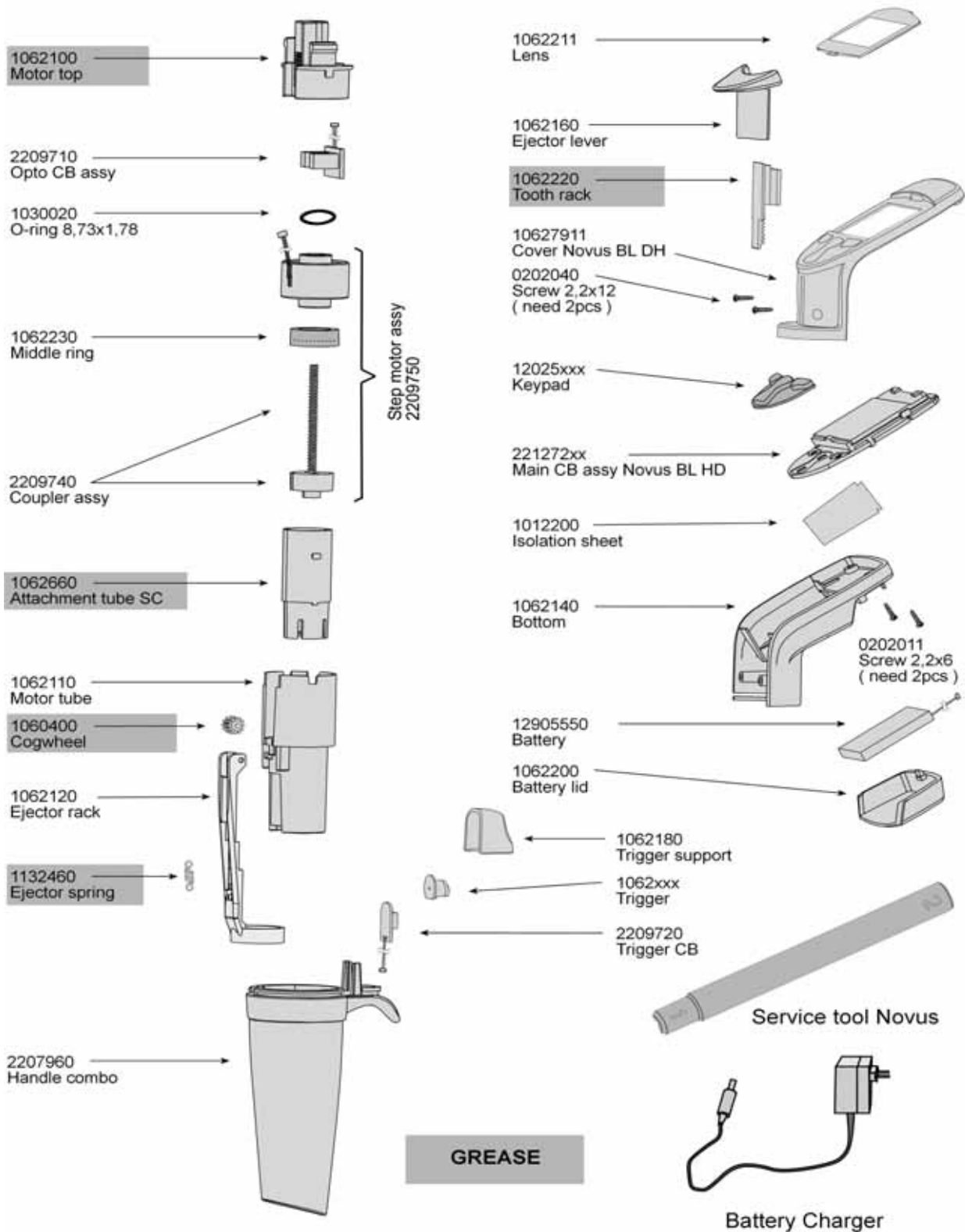
Pipette Accessories

| Reference | Part name |
|-----------|-------------------|
| 2203130 | Grease tube, 2g |
| 3300060 | Grease tube, 100g |

Finnpipette Digital Additions

| Reference | Part name |
|-----------|---|
| 10593041 | Window 200/1000/300ul Digital |
| 10593042 | Window 10/40/50ul/10ml Digital |
| 10593043 | Window 2ul/5ml Digital |
| 10593000 | Tip Ejector Upper Part Digital |
| 10593060 | Cogwheel Digital |
| 1131820 | Tip ejector spring 0,5x3,6x25 |
| 10593011 | Tip ejector lower part 0,2-2ul Digital |
| 10593012 | Tip ejector lower part 0,5-10ul Digital |
| 10593013 | Tip ejector lower part 5-40ul Digital |
| 10593014 | Tip ejector lower part 40-200ul, Digital |
| 10593015 | Tip ejector lower part 200-1000ul Digital |
| 10593016 | Tip ejector lower part 1-5ml Digital |
| 10593017 | Tip ejector lower part 2-10ml Digital |
| 10593018 | Tip ejector lower part 2-20ul Digital |
| 10593019 | Tip ejector lower part 20-200ul Digital |
| 105930101 | Tip ejector lower part 5-50ul Digital |
| 105930102 | Tip ejector lower part 50-300ul Digital |
| 105930120 | Tip ejector lower part 10-100ul Digital |
| 105930121 | Tip ejector lower part 100-1000ul Digital |

Finnpipette Novus Backlight HD (high density) SCP handle



Finnpipette Novus Spare Parts 1.Jan.2010

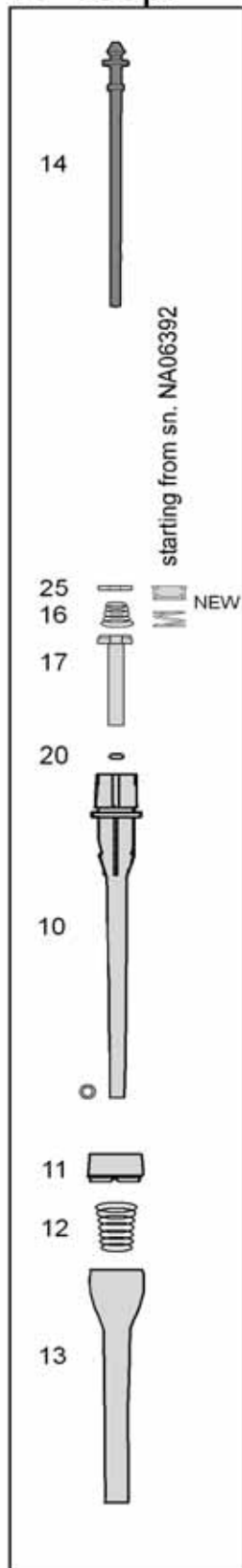
Finnpipette Novus Backlight HD (high density) SCP Handle

On all FP-Novus SCP Backlight models: (1-10µl Micro, 1-10µl, 5-50µl Micro, 5-50µl, 10-100µl, 30-300µl, 100-1000µl, 0.5-5ml, 1-10ml)

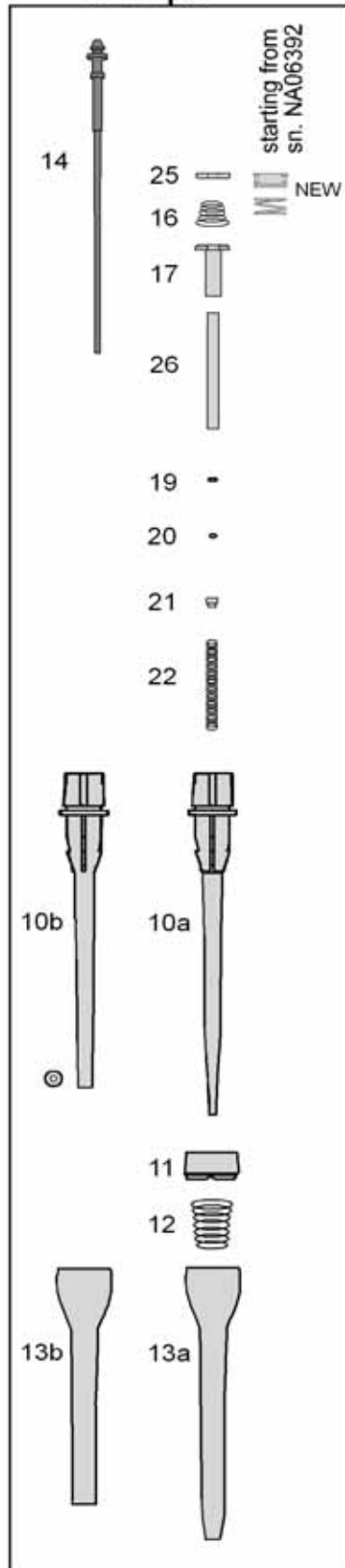
| Reference | Part name |
|---|--|
| 1062100 | Motor top Novus |
| 2209710 | Opto CB assy, Novus |
| 1030020 | O-ring 8,73x1,78 EPDM 70S |
| 2209750 | Step motor assy, Novus |
| 2209740 | Coupler assy, Novus |
| 1062660 | Attachment tube SCP |
| 1062110 | Motor tube Novus |
| 1060400 | Cogwheel Focus |
| 1062120 | Ejector rack Novus |
| 1132460 | Tip ejector pusher spring 0,4x4,1x17,5 |
| 2207960 | Handle combo, Novus |
| 1062211 | Lens Novus Finnpipette |
| 1062160 | Ejector lever Novus |
| 1062220 | Tooth rack Novus |
| 10627911 | Cover, Novus BL HD |
| 0202040 | Screw PT 2,2x12 WN 1442 |
| 2212720 | Main CB, Novus BL HD (no SW) |
| 1012200 | Isolation sheet Novus |
| 1062140 | Bottom Novus |
| 0202011 | Screw PT 2,2x6 WN 1442 FeZn |
| 12905550 | Battery Lithium Novus |
| 1062200 | Battery lid blank Novus |
| 1062201 | Battery lid printed Novus |
| 1062180 | Trigger support Novus |
| 2209720 | Trigger CB assy, Novus |
| 1062500 | Service tool Novus |
| 12905560 | Charger universal, Novus |
| Handle FP Novus SCP 1-10µl Micro | |
| 22127201 | Main CB 1-10ul Micro, Novus BL HD |
| 1062190 | Trigger, pink Novus |
| 12025050 | Keypad, pink Novus |
| Handle FP Novus SCP 1-10µl | |
| 22127202 | Main CB 1-10ul Novus BL HD |
| 1062340 | Trigger, yellow Novus |
| 12025060 | Keypad, yellow Novus |
| Handle FP Novus SCP 5-50µl Micro | |
| 22127203 | Main CB 5-50ul Micro, Novus BL HD |
| 1062350 | Trigger, turquoise Novus |
| 12025070 | Keypad, turquoise Novus |
| Handle FP Novus SCP 5-50µl | |
| 22127204 | Main CB 5-50ul, Novus BL HD |
| 1062340 | Trigger, yellow Novus |
| 12025060 | Keypad, yellow Novus |
| Handle FP Novus SCP 10-100µl | |
| 22127205 | Main CB 10-100ul, Novus BL HD |
| 1062340 | Trigger, yellow Novus |
| 12025060 | Keypad, yellow Novus |
| Handle FP Novus SCP 30-300µl | |
| 22127206 | Main CB 30-300ul, Novus BL HD |
| 1062520 | Trigger, orange Novus |
| 12025080 | Keypad, orange Novus |
| Handle FP Novus SCP 100-1000µl | |
| 22127207 | Main CB 100-1000ul, Novus BL HD |
| 1062530 | Trigger, blue Novus |
| 12025090 | Keypad, blue Novus |
| Handle FP Novus SCP 0.5-5ml | |
| 22127208 | Main CB 0.5-5ml, Novus BL HD |
| 1062540 | Trigger, green Novus |
| 12025100 | Keypad, green Novus |
| Handle FP Novus SCP 1-10ml | |
| 22127209 | Main CB 1-10ml, Novus BL HD |
| 1062550 | Trigger, red Novus |
| 12025110 | Keypad, red Novus |

Finnpipette Novus SCP Modules

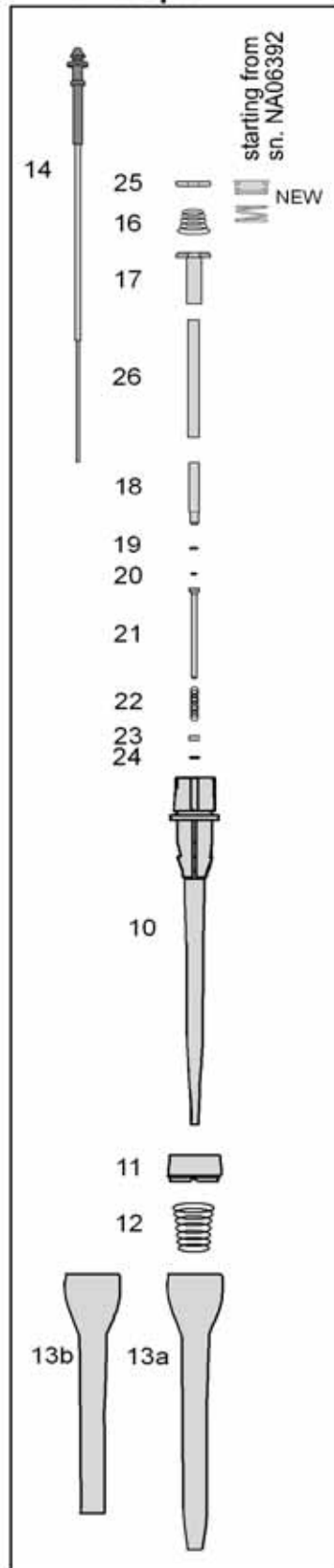
10-100µl



5-50µl



1-10µl



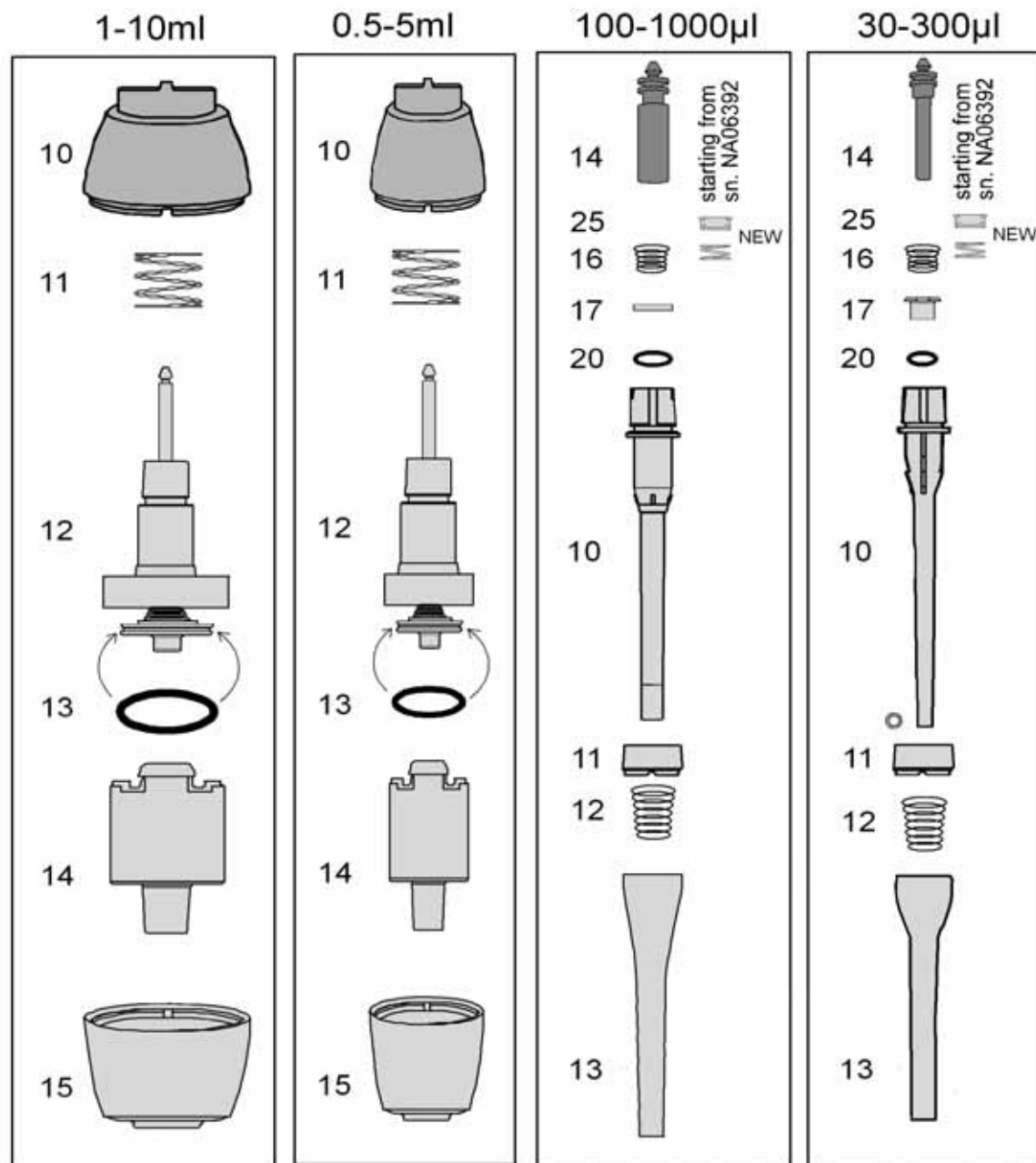
Finnpipette Novus Spare Parts 1.Jan.2010

Finnpipette Novus SCP Modules

On all FP Novus SCP modules: (1-10µl Micro, 1-10µl, 5-50µl Micro, 5-50µl, 10-100µl)

| Reference | Part name |
|----------------|---|
| 1132180 | 12. Tip ejector spring 0,75x15,4x25 |
| 1132190 | 16. Cover spring 0,7x11,8x12 |
| 1132620 | NEW 16. Cover spring 0,7x11,7x6,5 |
| 2209500 | Module 1-10ul Micro, Novus |
| 2209510 | Module 1-10ul, Novus |
| 1062000 | 10. Tip cone 10ul STD |
| 1062560 | Micro 11. Tip ejector upper part, pink Novus |
| 1062570 | Univ. 11. Tip ejector upper part, yellow Novus |
| 1062040 | Micro 13a. Tip ejector 10ul STD |
| 1062050 | Univ. 13b. Tip ejector 100ul STD |
| 2207990 | 14. Piston assy 10ul, Novus |
| 1060600 | 17. Spring base 10/50ul Focus |
| 1060740 | 18. O-ring tube 10ul Focus |
| 1030380 | 19. O-ring 2x1 EPDM 70S |
| 1030060 | 20. O-ring 0,78x1,02 EPDM 70S |
| 10593290 | 21. Sealing Casing |
| 1131800 | 22. Dash Spring 0,3x2,7x12 |
| 10593360 | 23. Spring Support |
| 1030170 | 24. O-ring 1,6x1,0 EPDM 70S |
| 1060910 | 25. Cover pink 10ul |
| 1061390 | NEW 25. Cover new pink 10ul |
| 1060040 | 26. Tube |
| 2209520 | Module 5-50ul Micro, Novus |
| 2209530 | Module 5-50ul, Novus |
| 1062000 | Micro 10a. Tip cone 10ul STD |
| 1062010 | Univ. 10b. Tip cone 50ul STD |
| 1062580 | Micro 11. Tip ejector upper part, turquoise Novus |
| 1062570 | Univ. 11. Tip ejector upper part, yellow Novus |
| 1062040 | Micro 13a. Tip ejector 10ul STD |
| 1062050 | Univ. 13b. Tip ejector 100ul STD |
| 1062310 | 14. Piston 50ul Novus |
| 1060600 | 17. Spring base 10/50ul Focus |
| 1030500 | 19. O-ring 2,3x1,0 EPDM 70S |
| 1033060 | 20. O-ring 1,78x1,02 EPDM 70S |
| 10593500 | 21. Spring support 50ul |
| 1132340 | Micro 22. Dash Spring 0,3x3,6x45 |
| 1132000 | Univ. 22. Spring 0,3x3,6x20 |
| 1060890 | 25. Cover turquoise 50ul |
| 1061410 | NEW 25. Cover new turquoise 50ul |
| 1060040 | 26. Tube |
| 2209540 | Module 10-100ul, Novus |
| 1062020 | 10. Tip cone 100ul STD |
| 1062570 | 11. Tip ejector upper part, yellow Novus |
| 1062050 | 13. Tip ejector 100ul STD |
| 1062260 | 14. Piston 100ul Novus |
| 1060610 | 17. Spring base 100ul Focus |
| 1030510 | 20. O-ring 2,6x1,3 EPDM 70S |
| 1060880 | 25. Cover yellow 100ul |
| 1061420 | NEW 25. Cover new yellow 100ul |

Finnpipette Novus SCP Modules

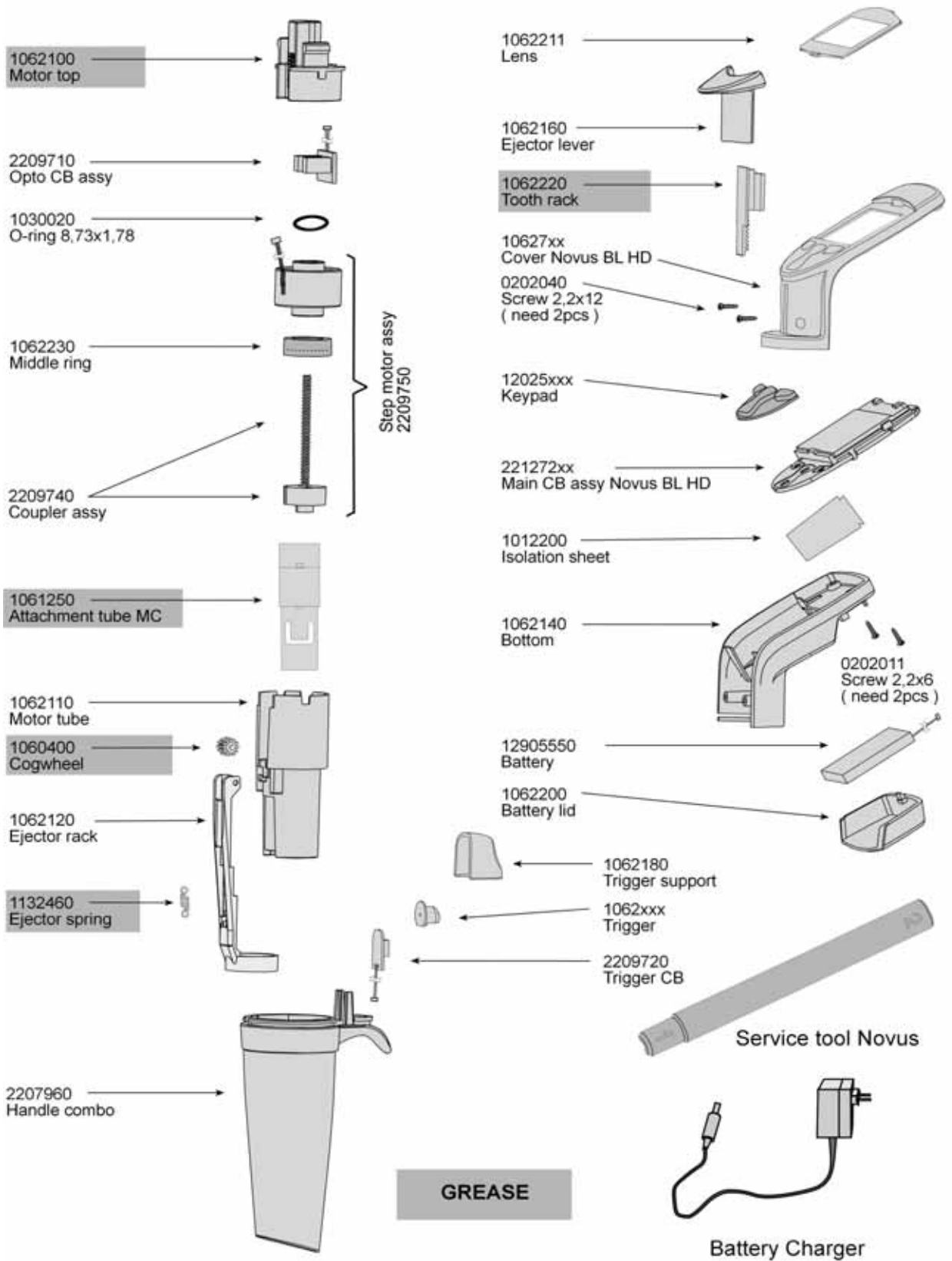


Finnpipette Novus Spare Parts 1.Jan.2010

Finnpipette Novus SCP Modules

| Reference | Part name |
|----------------|--|
| 2209550 | Module 30-300ul, Novus |
| 1062020 | 10. Tip cone 100ul STD |
| 1062590 | 11. Tip ejector upper part, orange Novus |
| 1132180 | 12. Tip ejector spring 0,75x15,4x25 |
| 1062050 | 13. Tip ejector 100ul STD |
| 1062250 | 14. Piston 300ul Novus |
| 1132400 | 16. Cover spring 0,7x12,1x17 |
| 1132620 | NEW 16. Cover spring 0,7x11,7x6,5 |
| 1060620 | 17. Spring base 300ul Focus |
| 1033180 | 20. O-ring 4,48x1,78 EPDM |
| 1061430 | NEW 25. Cover new orange 300ul |
| 2209560 | Module 100-1000ul, Novus |
| 1062030 | 10. Tip cone 1000ul STD |
| 1062600 | 11. Tip ejector upper part, blue Novus |
| 1132180 | 12. Tip ejector spring 0,75x15,4x25 |
| 1062060 | 13. Tip ejector 1000ul STD |
| 1062360 | 14. Piston 1000ul Novus |
| 1132400 | 16. Cover spring 0,7x12,1x17 |
| 1132620 | NEW 16. Cover spring 0,7x11,7x6,5 |
| 1060630 | 17. Spring base 1000ul Focus |
| 1030020 | 20. O-ring 8,73x1,78 EPDM 70S |
| 1061350 | NEW 25. Cover new blue 1000ul |
| 2209570 | Module 0.5-5ml, Novus |
| 1062610 | 10. Tip ejector upper part, 5ml Novus |
| 1132390 | 11. Tip ejector spring 0,8x18,5x26 |
| 2209590 | 12. Piston assy 5ml, Novus |
| 1030230 | 13. O-ring 16x2,0 EPDM 70S |
| 1060790 | 14. Cylinder 5ml Focus |
| 1060810 | 15. Tip ejector lower part 5ml Focus |
| 2209580 | Module 1-10ml, Novus |
| 1062620 | 10. Tip ejector upper part, 10ml Novus |
| 1132390 | 11. Tip ejector spring 0,8x18,5x26 |
| 2209600 | 12. Piston assy 10ml, Novus |
| 1033050 | 13. O-ring 23,47x2,62 EPDM 70S |
| 1060510 | 14. Cylinder 10ml Focus |
| 1060530 | 15. Tip ejector lower part 10ml Focus |

Finnpipette Novus Backlight HD (high density) MCP handle



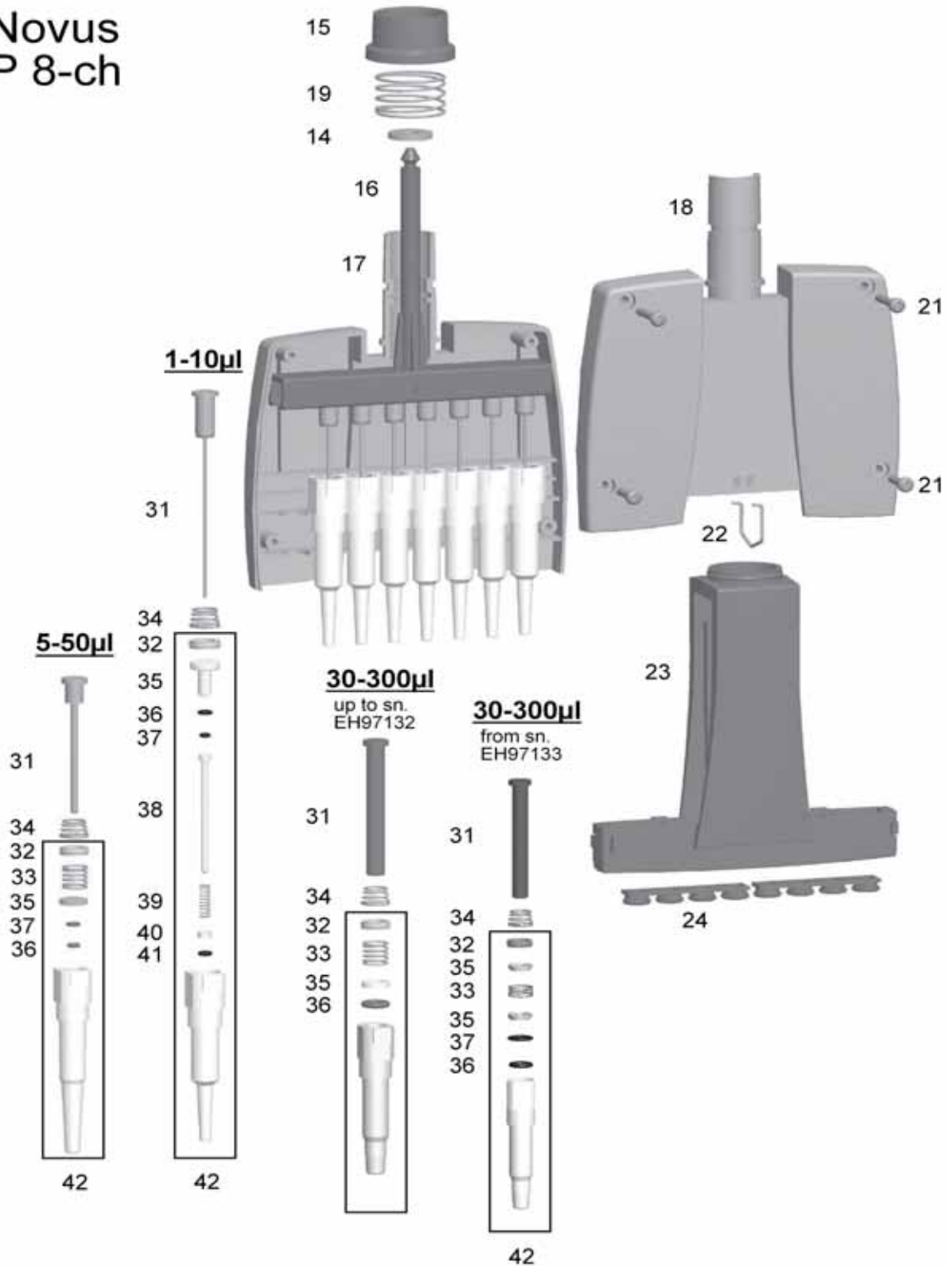
Finnpipette Novus Spare Parts 1.Jan.2010

Finnpipette Novus Backlight HD (high density) MCP Handle

On all FP-Novus Backlight MCP models: (1-10µl 8/12ch, 5-50µl 8/12ch, 5-50µl 16ch, 30-300µl 8/12ch ,1200µl 8ch)

| Reference | Part name |
|--|--|
| 1062100 | Motor top Novus |
| 2209710 | Opto CB assy, Novus |
| 1030020 | O-ring 8,73x1,78 EPDM 70S |
| 2209750 | Step motor assy, Novus |
| 2209740 | Coupler assy, Novus |
| 1061250 | Attachment tube MCP |
| 1062110 | Motor tube Novus |
| 1060400 | Cogwheel Focus |
| 1062120 | Ejector rack Novus |
| 1132460 | Tip ejector pusher spring 0,4x4,1x17,5 |
| 2209960 | Handle combo, Novus |
| 1062211 | Lens Novus FinnpiPETTE |
| 1062160 | Ejector lever Novus |
| 1062220 | Tooth rack Novus |
| 10627911 | Cover, Novus BL HD |
| 0202040 | Screw PT 2,2x12 WN 1442 |
| 2209950 | Main CB assy, Novus BL (no SW) |
| 1012200 | Isolation sheet Novus |
| 1062140 | Bottom Novus |
| 0202011 | Screw PT 2,2x6 WN 1442 FeZn |
| 12905550 | Battery Lithium Novus |
| 1062200 | Battery lid blank Novus |
| 1062201 | Battery lid printed Novus |
| 2209720 | Trigger CB assy, Novus |
| 1062500 | Service tool Novus |
| 12905560 | Charger universal, Novus |
| Handle FP Novus MCP 1-10µl Micro | |
| 22127211 | Main CB 1-10ul 8ch, Novus BL HD |
| 22127212 | Main CB 1-10ul 12ch, Novus BL HD |
| 1062190 | Trigger, pink Novus |
| 12025050 | Keypad, pink Novus |
| Handle FP Novus MCP 5-50µl | |
| 22127213 | Main CB 5-50ul 8ch, Novus BL HD |
| 22127214 | Main CB 5-50ul 8ch, Novus BL HD |
| 1062340 | Trigger, yellow Novus |
| 12025060 | Keypad, yellow Novus |
| Handle FP Novus MCP 30-300µl | |
| 22127215 | Main CB 30-300ul 8ch, Novus BL HD |
| 22127216 | Main CB 30-300ul 12ch, Novus BL HD |
| 1062520 | Trigger, orange Novus |
| 12025080 | Keypad, orange Novus |
| Handle FP Novus MCP 5-50µl (16ch) | |
| 22127217 | Main CB 5-50ul 16ch, Novus BL HD |
| 1062350 | Trigger, turquoise Novus |
| 12025070 | Keypad, turquoise Novus |
| Handle FP Novus MCP 1200µl | |
| 22127218 | Main CB 1200ul 8ch, Novus BL HD |
| 1062350 | Trigger, turquoise Novus |
| 12025070 | Keypad, turquoise Novus |

FP Novus
MCP 8-ch



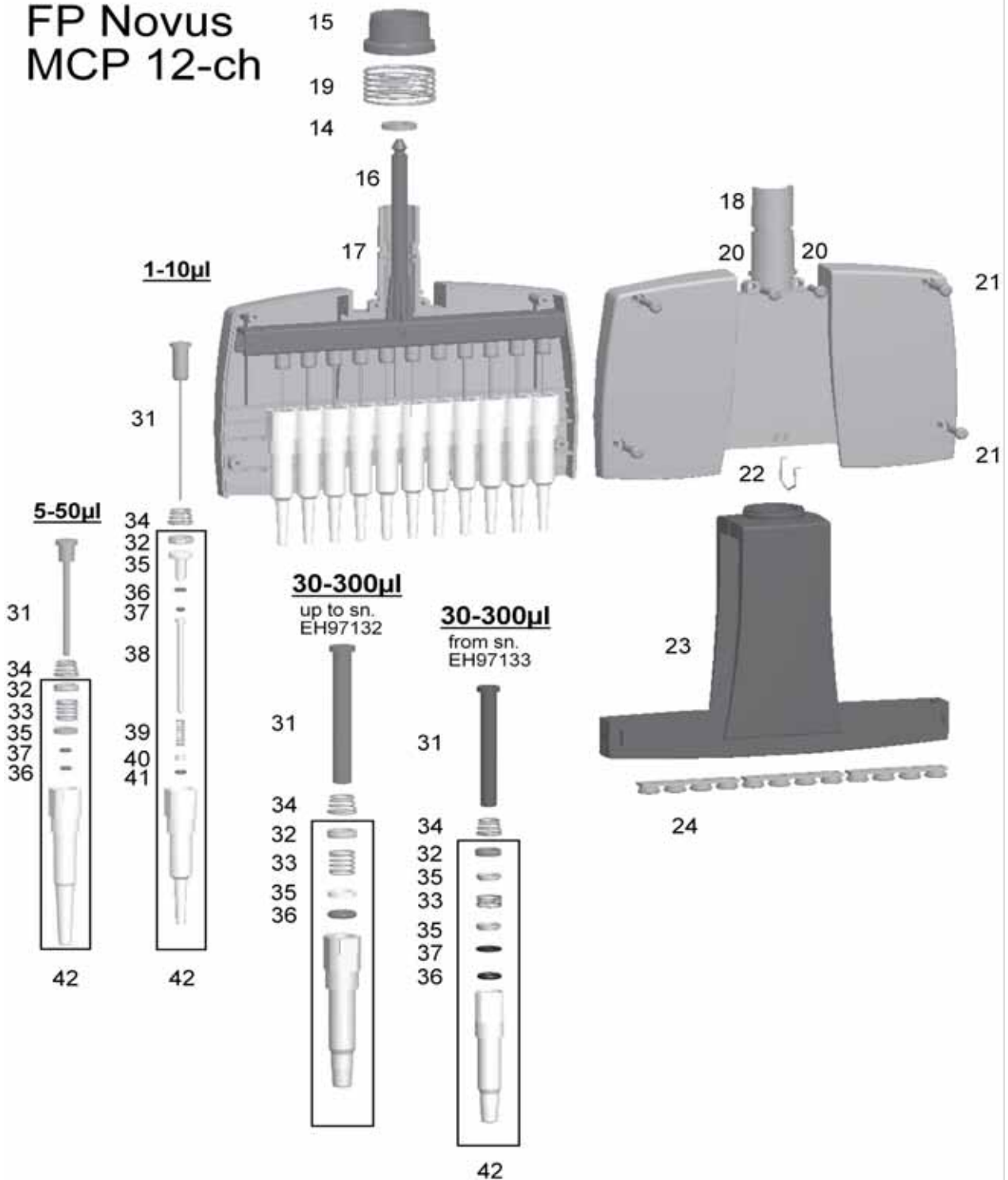
Finnpipette Novus Spare Parts 1.Jan.2010

Finnpipette Novus MCP 8-ch

On all FP-Novus MCP-8ch Models

| Reference | Part name |
|----------------|---|
| 1062470 | 14. MCP steering plate Novus |
| 1062460 | 15. MCP color ring Novus |
| 1062450 | 16. Piston bar 8ch Novus |
| 1062380 | 17. Cover A 8ch Novus |
| 1062390 | 18. Cover B 8ch Novus |
| 1132470 | 19. Tip ejector spring 0,75x20x24 |
| 0202040 | 21. Screw PT 2,2x12 WN 1442 |
| 1132490 | 22. Fastening Spring 8ch Novus |
| 1062400 | 23. Tip ejector 8ch Novus |
| 2209800 | Module 1-10ul 8ch, Novus |
| 1061300 | 24. Tip ejector plate 10ul |
| 2209870 | 31. Piston assy 10ul MCP, Novus |
| 1061020 | 32. Tip cone cover, grey |
| 1131630 | 34. Piston Spring 0,6x7,4x8 |
| 10593280 | 35. Second Support MCP Digital |
| 1030380 | 36. O-ring 2x1 EPDM 70S |
| 1033160 | 37. O-ring 0,5x1,0 EPDM |
| 10593290 | 38. Sealing Casing |
| 1131900 | 39. Dash Spring 0,25x2,7x15 |
| 10593360 | 40. Spring Support |
| 1030170 | 41. O-ring 1,6x1,0 EPDM 70S |
| 2209110 | (12pcs) 42. Tip cone assy 10ul, 12pcs MCP Focus |
| 2209820 | Module 5-50ul 8ch, Novus |
| 2208880 | 31. Piston assy 5-50ul MCP, Focus |
| 1061020 | 32. Tip cone cover, grey |
| 1131400 | 33. O-Ring Spring 0,5x7,7x14 |
| 1131630 | 34. Piston Spring 0,6x7,4x8 |
| 10589500 | 35. Support ring 50ul |
| 1030480 | 36. O-ring 1,78x1,78 EPDM 70S |
| 1030160 | 37. O-ring 3.68x1.78 EPDM 70S |
| 2209090 | (12pcs) 42. Tip cone assy 50ul, 12pcs MCP Focus |
| 2209840 | Module 30-300ul 8ch, Novus |
| 10589170 | 31. Piston 300ul, Novus |
| 1061020 | 32. Tip cone cover, grey |
| 1131400 | "OLD" 33. O-Ring Spring 0,5x7,7x14 |
| 1132810 | NEW 33. O-Ring spring 0.4x7.8x14 |
| 1131630 | 34. Piston Spring 0,6x7,4x8 |
| 10589510 | "OLD" 35. Support ring 300ul |
| 1061980 | NEW 35. Support ring 300ul Novus |
| 1033330 | 36. O-ring 4.70x1,42 EPDM 70S |
| 1030550 | 37. O-ring 6x1 EPDM 70S |
| 2212700 | (12pcs) 42. Tip cone assy 300ul, 12pcs Novus |

FP Novus
MCP 12-ch

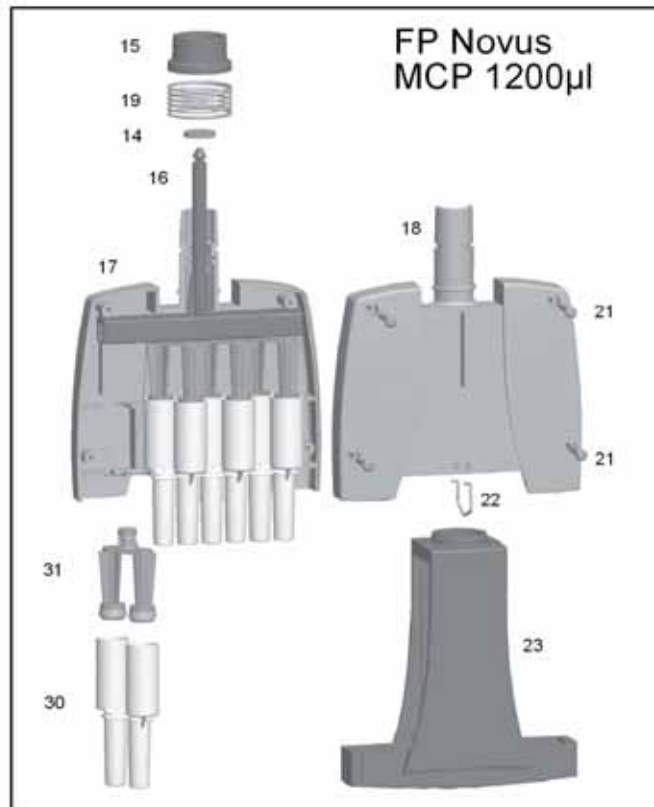
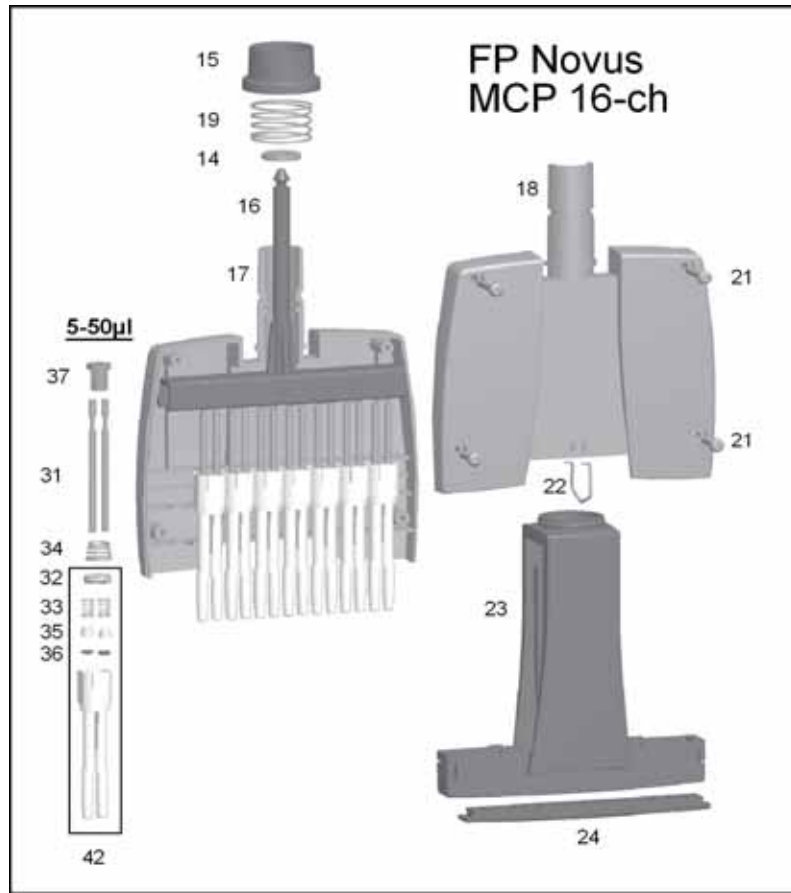


Finnpipette Novus Spare Parts 1.Jan.2010

Finnpipette Novus MCP 12-ch

On all FP-Novus MCP-12ch Models

| Reference | Part name |
|----------------|---|
| 1062470 | 14. MCP steering plate Novus |
| 1062460 | 15. MCP color ring Novus |
| 1062440 | 16. Piston bar 12ch Novus |
| 1062420 | 17. Cover A 12ch Novus |
| 1062410 | 18. Cover B 12ch Novus |
| 1132480 | 19. Tip ejector spring 0,9x24x25 |
| 0202020 | 20. Screw PT 2,2x8 WN 1442 |
| 0202040 | 21. Screw PT 2,2x12 WN 1442 |
| 1132500 | 22. Fastening Spring 12ch Novus |
| 1062430 | 23. Tip ejector 12ch Novus |
| 2209810 | Module 1-10ul 12ch, Novus |
| 1061300 | 24. Tip ejector plate 10ul |
| 2209870 | 31. Piston assy 10ul MCP, Novus |
| 1061020 | 32. Tip cone cover, grey |
| 1131630 | 34. Piston Spring 0,6x7,4x8 |
| 10593280 | 35. Second Support MCP Digital |
| 1030380 | 36. O-ring 2x1 EPDM 70S |
| 1033160 | 37. O-ring 0,5x1,0 EPDM |
| 10593290 | 38. Sealing Casing |
| 1131900 | 39. Dash Spring 0,25x2,7x15 |
| 10593360 | 40. Spring Support |
| 1030170 | 41. O-ring 1,6x1,0 EPDM 70S |
| 2209110 | (12pcs) 42. Tip cone assy 10ul, 12pcs MCP Focus |
| 2209830 | Module 5-50ul 12ch, Novus |
| 2208880 | 31. Piston assy 5-50ul MCP, Focus |
| 1061020 | 32. Tip cone cover, grey |
| 1131400 | 33. O-Ring Spring 0,5x7,7x14 |
| 1131630 | 34. Piston Spring 0,6x7,4x8 |
| 10589500 | 35. Support ring 50ul |
| 1030480 | 36. O-ring 1,78x1,78 EPDM 70S |
| 1030160 | 37. O-ring 3.68x1.78 EPDM 70S |
| 2209090 | (12pcs) 42. Tip cone assy 50ul, 12pcs MCP Focus |
| 2209850 | Module 30-300ul 12ch, Novus |
| 10589170 | 31. Piston 300ul, Novus |
| 1061020 | 32. Tip cone cover, grey |
| 1131400 | "OLD" 33. O-Ring Spring 0,5x7,7x14 |
| 1132810 | NEW 33. O-Ring spring 0.4x7.8x14 |
| 1131630 | 34. Piston Spring 0,6x7,4x8 |
| 10589510 | "OLD" 35. Support ring 300ul |
| 1061980 | NEW 35. Support ring 300ul Novus |
| 1033330 | 36. O-ring 4.70x1,42 EPDM 70S |
| 1030550 | 37. O-ring 6x1 EPDM 70S |
| 2212700 | (12pcs) 42. Tip cone assy 300ul, 12pcs Novus |

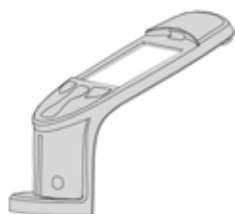


Finnpipette Novus Spare Parts 1.Jan.2010

Finnpipette Novus MCP 16-ch/50µl and 8-ch/1200µl

| Reference | Part name |
|----------------|--|
| 2209860 | Module 5-50ul 16ch, Novus |
| 1062470 | 14. MCP steering plate Novus |
| 1062460 | 15. MCP color ring Novus |
| 1062450 | 16. Piston bar 8ch Novus |
| 1062380 | 17. Cover A 8ch Novus |
| 1062390 | 18. Cover B 8ch Novus |
| 1132470 | 19. Tip ejector spring 0,75x20x24 |
| 0202040 | 21. Screw PT 2,2x12 WN 1442 |
| 1132490 | 22. Fastening Spring 8ch Novus |
| 1062401 | 23. Tip ejector 16ch Novus |
| 10593800 | 24. Tip Ejector Plate MCP 16ch |
| 11072010 | 31. Piston 50ul 16ch Novus |
| 10593840 | 32. Tip Cone Cover 16ch |
| 1132130 | 33. Piston Spring 0,25x3,6x11,5 |
| 1132150 | 34. Piston Spring 0,5x8x7,5 |
| 10593500 | 35. Spring support 50ul |
| 1030170 | 36. O-ring 1,6x1,0 EPDM 70S |
| 10593870 | 37. Piston head 16ch |
| 2207950 | (8pcs) 42. Tip cone assy 16ch 50ul, 8pcs |
| 2209930 | Module 1200ul 8ch, Novus |
| 1062470 | 14. MCP steering plate Novus |
| 1062460 | 15. MCP color ring Novus |
| 1062780 | 16. Piston bar 1200ul Novus |
| 1062750 | 17. Cover A 1200ul Novus |
| 1062740 | 18. Cover B 1200ul Novus |
| 1132480 | 19. Tip ejector spring 0,9x24x25 |
| 0202050 | 21. Screw PT 2,2x16 WN 1442 |
| 1132630 | 22. Fastening Spring 1200ul |
| 1062760 | 23. Ejector 1200ul Novus |
| 1062720 | 30. Cylinder 1200ul Novus |
| 2209920 | 31. Piston assy 1200ul MCP, Novus |

FP Novus Handle differences



| Part name | NO BL | WITH BL | BL HD |
|------------------|---------|---------|----------|
| Cover 1-10µl | 1062131 | 1062791 | 10627911 |
| Cover 5-50µl | 1062132 | 1062792 | 10627911 |
| Cover 10-100µl | 1062133 | 1062793 | 10627911 |
| Cover 30-300µl | 1062134 | 1062794 | 10627911 |
| Cover 100-1000µl | 1062135 | 1062795 | 10627911 |
| Cover 0.5-5ml | 1062136 | 1062796 | 10627911 |
| Cover 1-10ml | 1062137 | 1062797 | 10627911 |
| Cover 1200µl | 1062138 | 1062798 | 10627911 |



| Part name | NO BL | WITH BL |
|--------------------------------------|----------|----------|
| Main CB assy (software not included) | 2209610 | 2209950 |
| Main CB assy Novus SCP 1-10µl Micro | 22096101 | 22099501 |
| Main CB assy Novus SCP 1-10µl | 22096102 | 22099502 |
| Main CB assy Novus SCP 5-50µl Micro | 22096103 | 22099503 |
| Main CB assy Novus SCP 5-50µl | 22096104 | 22099504 |
| Main CB assy Novus SCP 10-100µl | 22096105 | 22099505 |
| Main CB assy Novus SCP 30-300µl | 22096106 | 22099506 |
| Main CB assy Novus SCP 100-1000µl | 22096107 | 22099507 |
| Main CB assy Novus SCP 0.5-5ml | 22096108 | 22099508 |
| Main CB assy Novus SCP 1-10ml | 22096109 | 22099509 |
| Main CB assy Novus MCP8 1-10µl | 22096111 | 22099511 |
| Main CB assy Novus MCP12 1-10µl | 22096112 | 22099512 |
| Main CB assy Novus MCP8 5-50µl | 22096113 | 22099513 |
| Main CB assy Novus MCP12 5-50µl | 22096114 | 22099514 |
| Main CB assy Novus MCP8 30-300µl | 22096115 | 22099515 |
| Main CB assy Novus MCP12 30-300µl | 22096116 | 22099516 |
| Main CB assy Novus MCP16 5-50µl | 22096117 | 22099517 |
| Main CB assy Novus MCP8 1200µl | 22096118 | 22099518 |

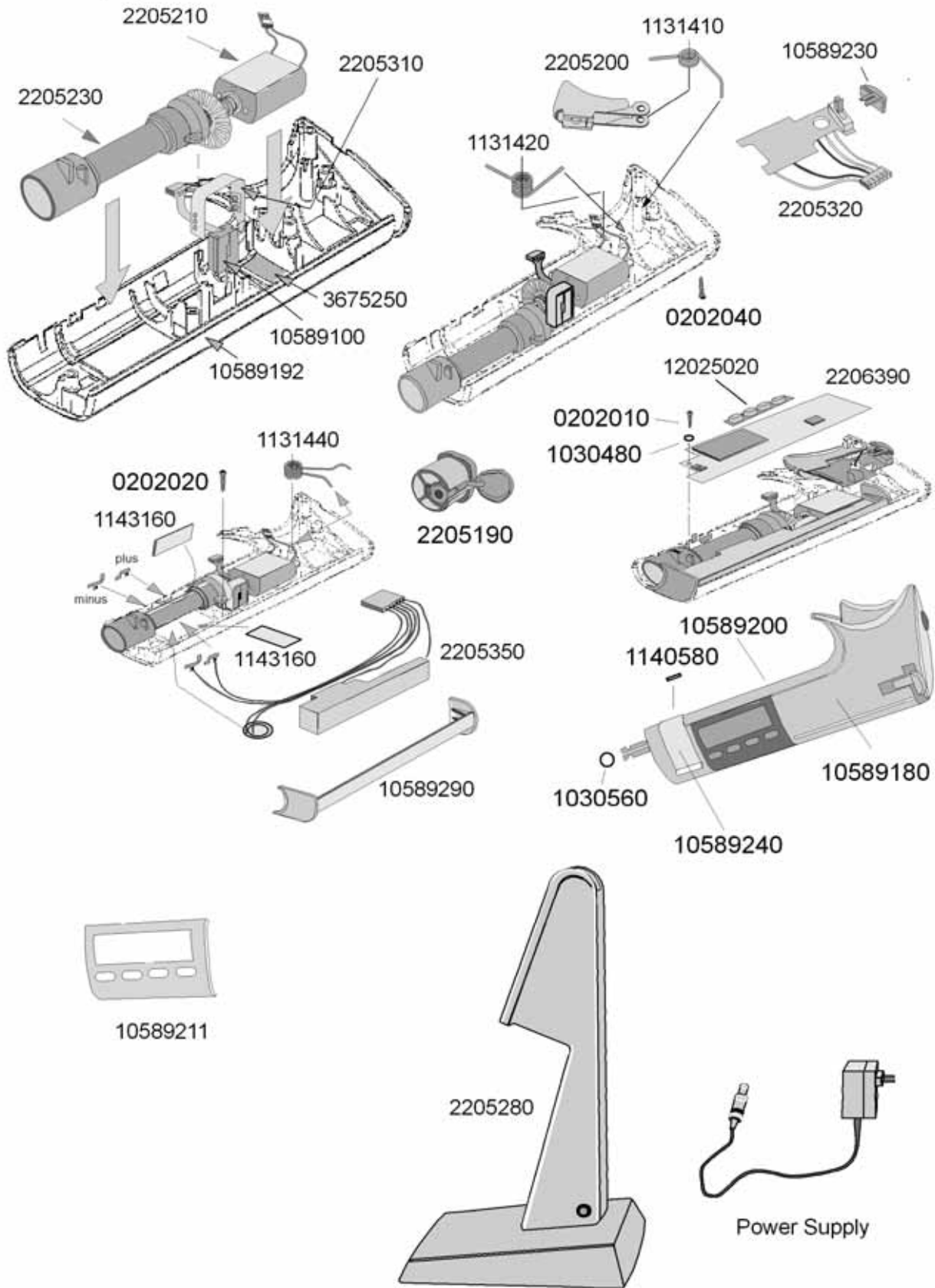


| Part name | BL, HD display |
|---|----------------|
| Main CB assy BL HD (software not included) (starting from sn. EH72650) | 2212720 |
| Main CB assy Novus SCP 1-10µl Micro BL HD | 22127201 |
| Main CB assy Novus SCP 1-10µl BL HD | 22127202 |
| Main CB assy Novus SCP 5-50µl Micro BL HD | 22127203 |
| Main CB assy Novus SCP 5-50µl BL HD | 22127204 |
| Main CB assy Novus SCP 10-100µl BL HD | 22127205 |
| Main CB assy Novus SCP 30-300µl BL HD | 22127206 |
| Main CB assy Novus SCP 100-1000µl BL HD | 22127207 |
| Main CB assy Novus SCP 0.5-5ml BL HD | 22127208 |
| Main CB assy Novus SCP 1-10ml BL HD | 22127209 |
| Main CB assy Novus MCP8 1-10µl BL HD | 22127211 |
| Main CB assy Novus MCP12 1-10µl BL HD | 22127212 |
| Main CB assy Novus MCP8 5-50µl BL HD | 22127213 |
| Main CB assy Novus MCP12 5-50µl BL HD | 22127214 |
| Main CB assy Novus MCP8 30-300µl BL HD | 22127215 |
| Main CB assy Novus MCP12 30-300µl BL HD | 22127216 |
| Main CB assy Novus MCP16 5-50µl BL HD | 22127217 |
| Main CB assy Novus MCP8 1200µl BL HD | 22127218 |

(BL HD software contains European and Japanese languages)

BL = backlight **HD** = high density display

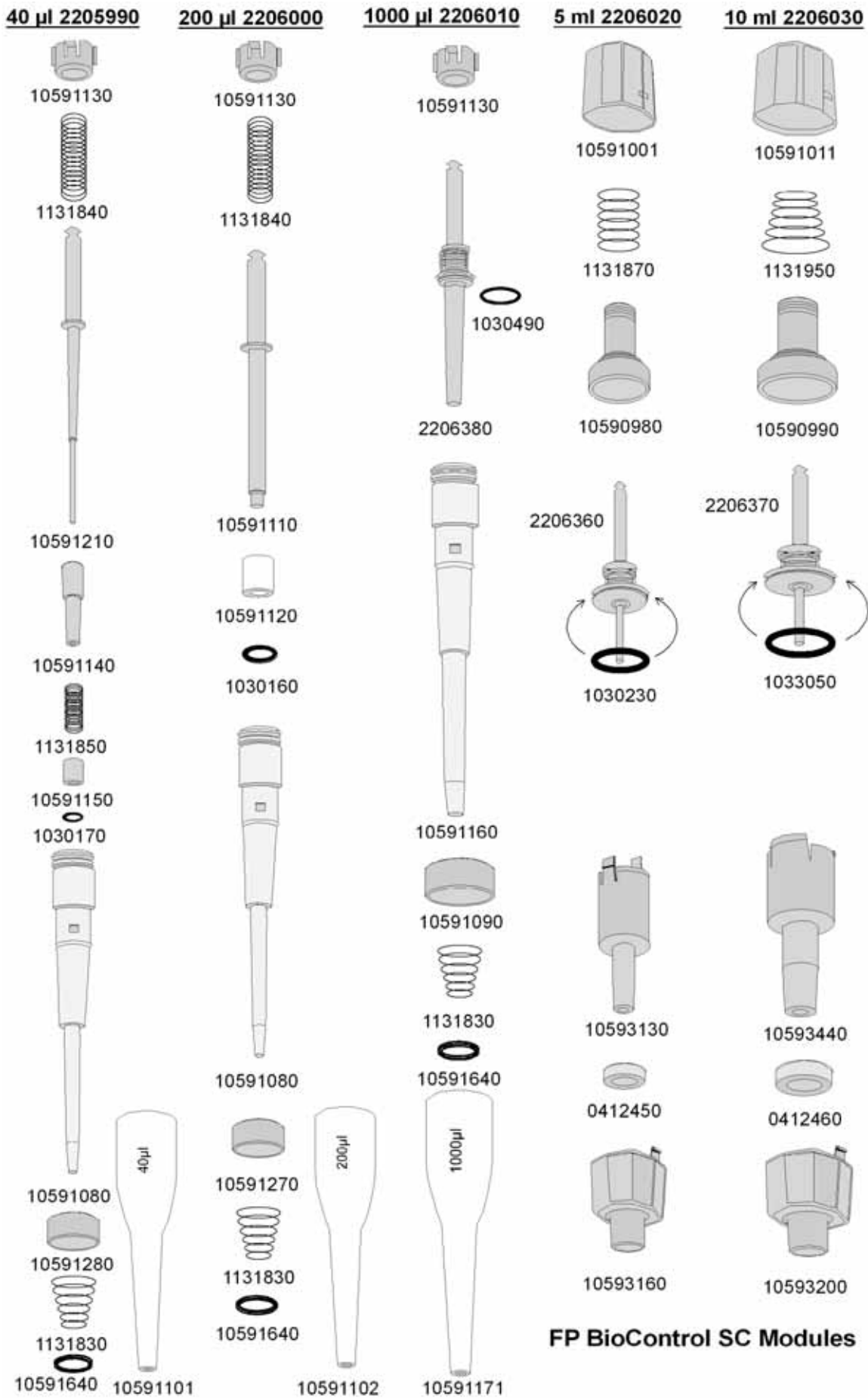
Finnpipette BioControl



Finnpipette BioControl Handle (and accessories)

| Reference | Part name |
|------------------|------------------------------|
| 2206400 | Handle, BioC |
| 2205280 | Stand, BioC |
| 5186860 | Calibration SW PC, BioC |
| 5186861 | Calibration SW Mac, BioC |
| 12905130 | Power supply Europe, BioC |
| 12905140 | Power supply USA, BioC |
| 12905150 | Power supply Japan, BioC |
| 12905160 | Power supply UK, BioC |
| 12905170 | Power supply Australia, BioC |
| 0202010 | Screw PT 2-28x6 FeZn |
| 0202020 | Screw PT 2,2x8 WN 1442 |
| 0202040 | Screw PT 2,2x12 WN 1442 |
| 1030480 | O-ring 1,78x1,78 EPDM 70S |
| 1030560 | O-ring 3x1,5 Nitrile |
| 1131410 | Primary spring, BioC |
| 1131420 | Secondary spring, BioC |
| 1131440 | Ejector spring, BioC |
| 1140580 | Pin 1.5x6.8, BioC |
| 1143160 | Tape double coated 10x20mm |
| 2205190 | Tip ejector lever assy, BioC |
| 2205200 | Trigger, BioC |
| 2205210 | Motor assy, BioC |
| 2205230 | Bushing assy, BioC |
| 2205310 | Flexible CB, BioC |
| 2205320 | Trigger CB, BioC |
| 2205350 | Battery assy, BioC |
| 2206390 | Main CB, BioC |
| 3675250 | Sticker, BioC |
| 10589100 | Encoder body, BioC |
| 10589180 | Handle Cover A, BioC |
| 10589192 | Handle Cover B, BioC |
| 10589200 | Cover, BioC |
| 10589211 | Display lens, BioC |
| 10589230 | Speed button, BioC |
| 10589240 | Latch, BioC |
| 10589290 | Ejector bar, BioC |
| 12025020 | Keyboard, BioC |

Finnpipette BioControl Spare Parts 1.Jan.2010



FP BioControl SC Modules

Finnpipette BioControl SC Modules

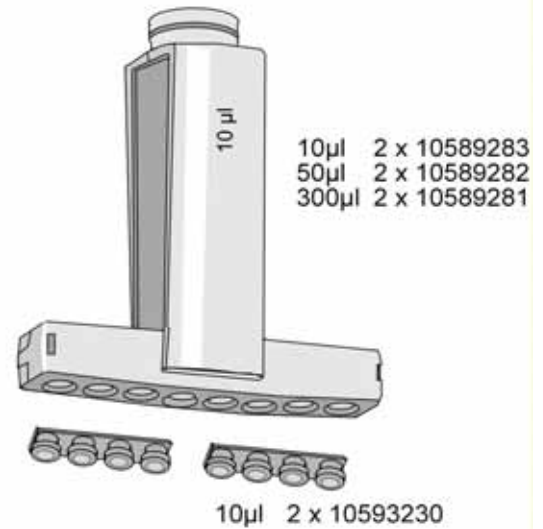
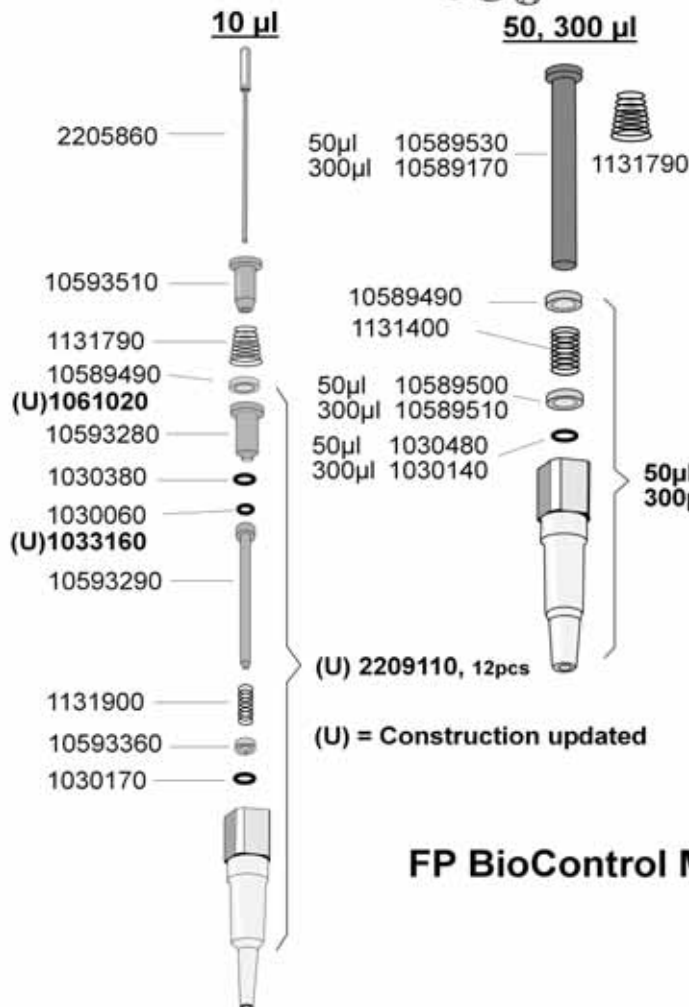
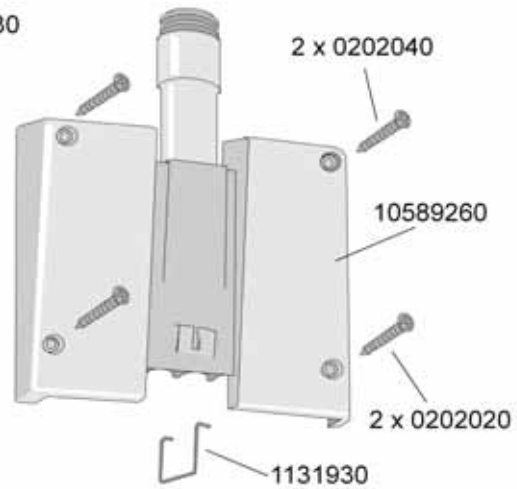
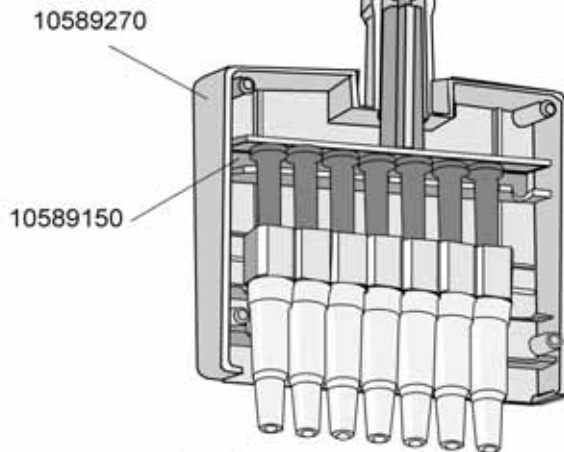
| Reference | Part name |
|----------------|--|
| 2205990 | Finnpipette BioControl SC Module 40ul |
| 10591130 | Lock Ring |
| 1131840 | Piston Spring 0,5x8,5x35 |
| 10591210 | Piston 40ul, BioC |
| 10591140 | Sleeve 40ul |
| 1131850 | Piston Spring 0,3x4,3x25 |
| 10591150 | Support Ring 40ul |
| 1030170 | O-ring 1,6x1,0 EPDM 70S |
| 10591080 | Tip Cone 40&200ul |
| 10591280 | Ejector cap orange, BioC |
| 1131830 | Tip ejector spring, BioC |
| 10591640 | Limiter Ring BioControl |
| 10591101 | Tip ejector 40ul, BioC |
| 2206000 | Finnpipette BioControl SC Module 200ul |
| 10591130 | Lock Ring |
| 1131840 | Piston Spring 0,5x8,5x35 |
| 10591110 | Piston 200ul, BioC |
| 10591120 | Support Ring 200ul |
| 1030160 | O-ring 3.68x1.78 EPDM 70S |
| 10591080 | Tip Cone 40&200ul |
| 10591270 | Ejector cap yellow, BioC |
| 1131830 | Tip ejector spring, BioC |
| 10591640 | Limiter Ring BioControl |
| 10591102 | Tip ejector 200ul, BioC |
| 2206010 | Finnpipette BioControl SC Module 1000ul |
| 10591130 | Lock Ring |
| 1030490 | O-ring 6.10x1,60 EPDM 70S |
| 2206380 | Piston assy 1000ul, BioC |
| 10591160 | Tip cone 1000ul, BioC |
| 10591090 | Ejector cap, BioC |
| 1131830 | Tip ejector spring, BioC |
| 10591640 | Limiter Ring BioControl |
| 10591171 | Tip ejector 1000ul, BioC |
| 2206020 | Finnpipette BioControl SC Module 5 ml |
| 10591001 | Tip ejector upper part 5ml, BioC |
| 1131870 | Tip Ejector Spring 0,7x18x22 |
| 10590980 | Cylinder upper part 5ml, BioC |
| 1030230 | O-ring 16x2,0 EPDM 70S |
| 2206360 | Piston assy 5ml, BioC |
| 10593130 | Cylinder 5ml Digital |
| 0412450 | Limiter ring 5ml BioC |
| 10593160 | Tip Ejector, lower part 5ml Digital |
| 2206030 | Finnpipette BioControl SC Module 10 ml |
| 10591011 | Tip ejector upper part 10ml, BioC |
| 1131950 | Tip Ejector Spring 0,7x28x57 |
| 10590990 | Cylinder upper part 10ml, BioC |
| 1033050 | O-ring 23,47x2,62 EPDM 70S |
| 2206370 | Piston assy 10ml, BioC |
| 10593440 | Cylinder 10ml Digital |
| 0412460 | Limiter ring 10ml BioC |
| 10593200 | Tip Ejector, lower part 10ml Digital |

Finnpipette BioControl Spare Parts 1.Jan.2010

8-channel 10µl 2206050
8-channel 50µl 2205240
8-channel 300µl 2205250

10µl 10591650
 50µl 10590360
 300µl 10589300

1131430



10µl 2 x 10589283
 50µl 2 x 10589282
 300µl 2 x 10589281

10µl 2 x 10593230

50µl 2207940, 12pcs
 300µl 2207090, 12pcs

(U) 2209110, 12pcs

(U) = Construction updated

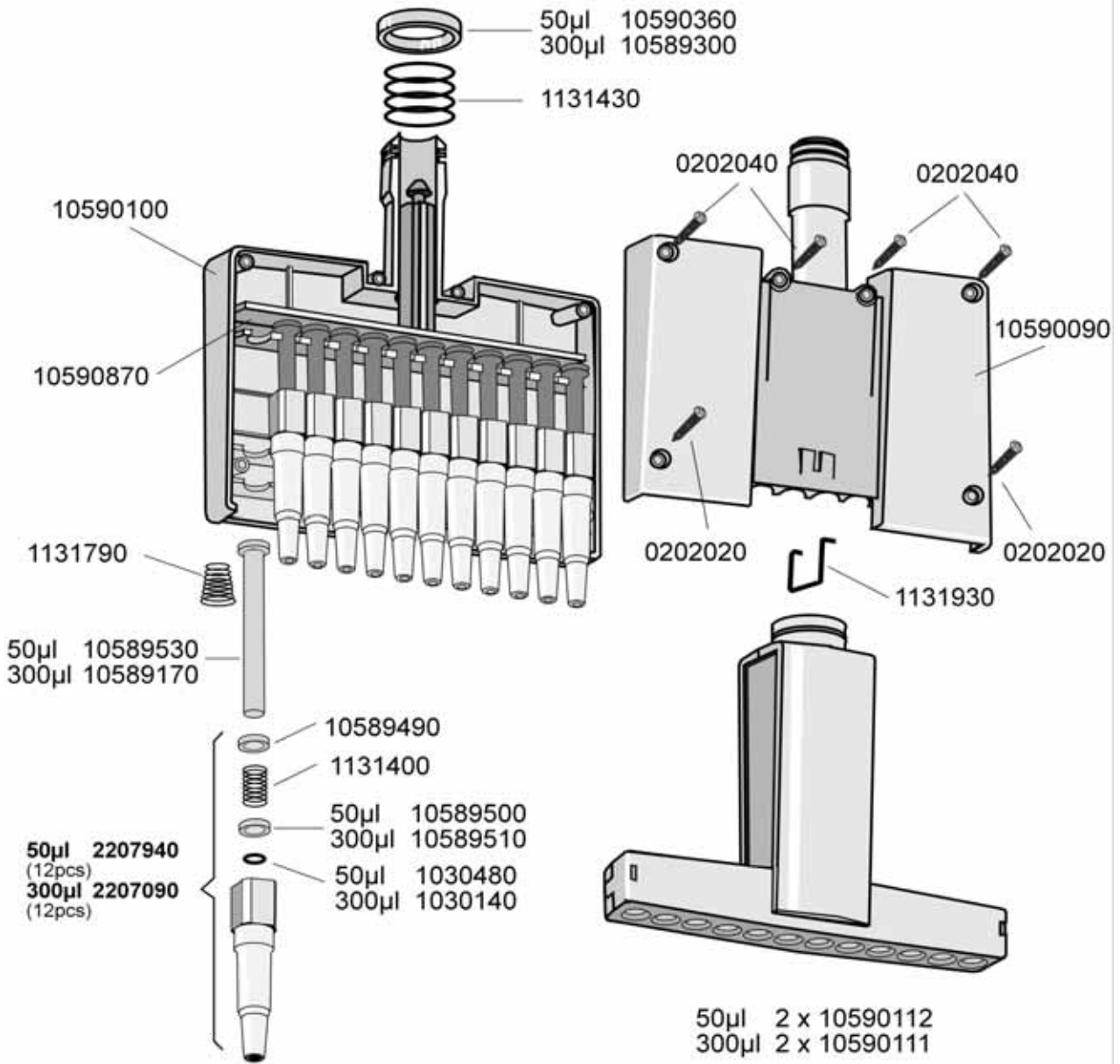
FP BioControl Multichannel Modules

Finnpipette BioControl 8-ch 10µl, 50µl and 300µl Modules

| Reference | Part name |
|----------------|--|
| 2206050 | Finnpipette BioControl Module 8ch 0.5-10ul |
| 10591650 | Colour ring grey, BioC |
| 1131430 | Module spring 0,7x16,5x23 |
| 10589270 | Body cover B 8-ch Digital |
| 10589150 | Piston holder, BioC |
| 2205860 | Piston assy 10ul MCP, Digital |
| 10593510 | Piston Support MCP 10ul |
| 1131790 | Piston Spring 0,5x8x4,5 |
| 10589490 | Tip Cone Cover, yellow |
| 1061020 | (U) Tip cone cover, grey |
| 10593280 | Second Support MCP Digital |
| 1030380 | O-ring 2x1 EPDM 70S |
| 1030060 | O-ring 0,78x1,02 EPDM 70S |
| 1033160 | (U) O-ring 0,5x1,0 EPDM |
| 10593290 | Sealing Casing |
| 1131900 | Dash Spring 0,25x2,7x15 |
| 10593360 | Spring Support |
| 1030170 | O-ring 1,6x1,0 EPDM 70S |
| 2209110 | (U)(12) Tip cone assy 10ul, 12pcs MCP Focus |
| 0202040 | Screw PT 2,2x12 WN 1442 |
| 10589260 | Body cover A 8ch, Digital |
| 0202020 | Screw PT 2,2x8 WN 1442 |
| 1131930 | Fastening Spring |
| 10589283 | Tip Ejector 10ul 8ch, BioC |
| 10593230 | Tip Ejector Plate |
| | |
| 2205240 | Finnpipette BioControl Module 8ch 5-50ul |
| 10590360 | Colour ring orange, BioC |
| 1131430 | Module spring 0,7x16,5x23 |
| 10589270 | Body cover B 8-ch Digital |
| 10589150 | Piston holder, BioC |
| 10589530 | Piston 50ul MCP, BioC |
| 1131790 | Piston Spring 0,5x8x4,5 |
| 10589490 | Tip Cone Cover, yellow |
| 1131400 | O-Ring Spring 0,5x7,7x14 |
| 10589500 | Support ring 50ul |
| 1030480 | O-ring 1,78x1,78 EPDM 70S |
| 2207940 | (12pcs) Tip cone assy 50ul, 12pcs BioC |
| 0202040 | Screw PT 2,2x12 WN 1442 |
| 10589260 | Body cover A 8ch, Digital |
| 0202020 | Screw PT 2,2x8 WN 1442 |
| 1131930 | Fastening Spring |
| 10589282 | Tip Ejector 50ul 8ch, BioC |
| | |
| 2205250 | Finnpipette BioControl Module 8ch 50-300ul |
| 10589300 | Colour ring yellow, BioC |
| 1131430 | Module spring 0,7x16,5x23 |
| 10589270 | Body cover B 8-ch Digital |
| 10589150 | Piston holder, BioC |
| 10589170 | Piston 300µl, Novus |
| 1131790 | Piston Spring 0,5x8x4,5 |
| 10589490 | Tip Cone Cover, yellow |
| 1131400 | O-Ring Spring 0,5x7,7x14 |
| 10589510 | Support ring 300ul |
| 1030140 | O-ring 4,5x1,5 EPDM 70S |
| 2207090 | (12pcs) Tip cone assy 300ul, 12pcs Digital |
| 0202040 | Screw PT 2,2x12 WN 1442 |
| 10589260 | Body cover A 8ch, Digital |
| 0202020 | Screw PT 2,2x8 WN 1442 |
| 1131930 | Fastening Spring |
| 10589281 | Tip Ejector 300ul 8ch, BioC |

12-channel 50µl 2205680

12-channel 300µl 2205690

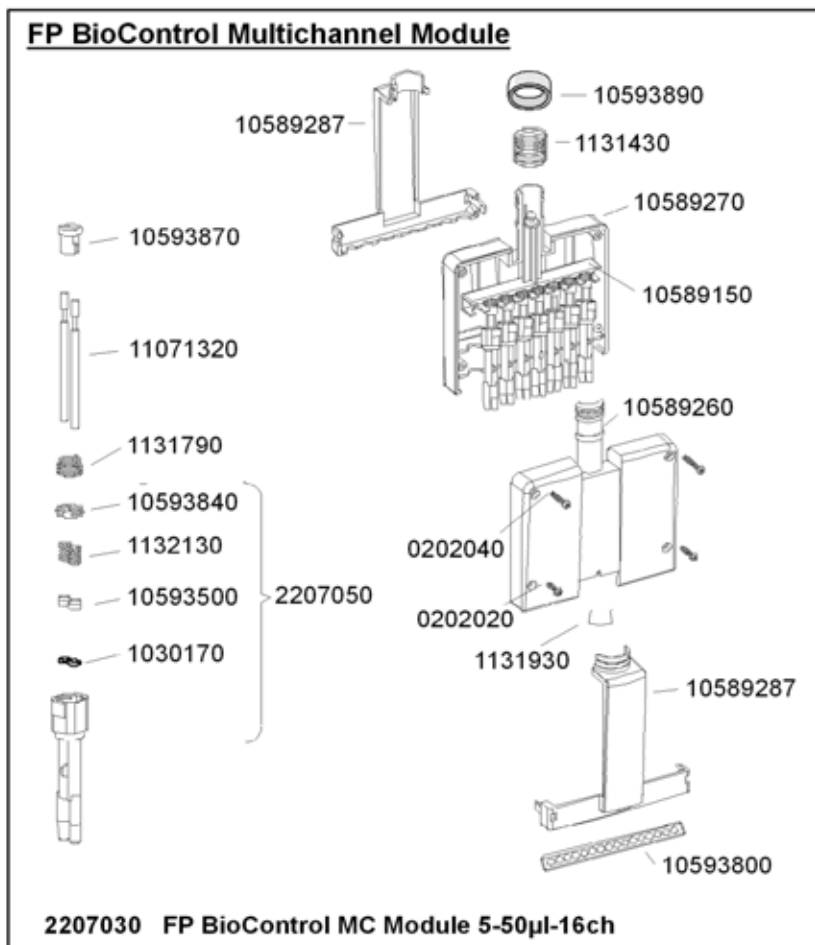
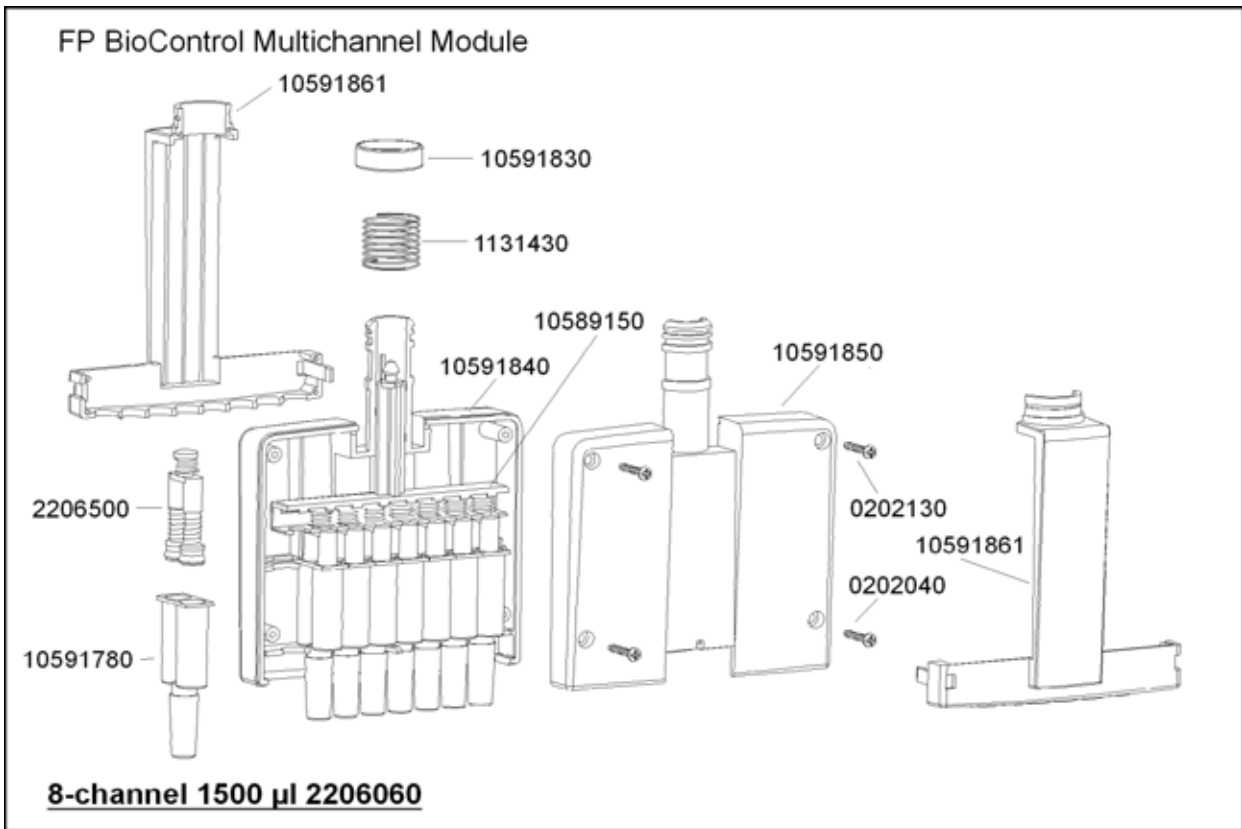


FP BioControl Multichannel Modules

Finnpipette BioControl Spare Parts 1.Jan.2010

Finnpipette BioControl 12-ch Modules

| Reference | Part name |
|------------------|--|
| 2205680 | Finnpipette BioControl Module 12ch 5-50ul |
| 10590360 | Colour ring orange, BioC |
| 1131430 | Module spring 0,7x16,5x23 |
| 10590100 | Body Cover B Digital |
| 10590870 | Piston Holder 12ch, BioC |
| 1131790 | Piston Spring 0,5x8x4,5 |
| 10589530 | Piston 50ul MCP, BioC |
| 2207940 | (12pcs) Tip cone assy 50ul, 12pcs BioC |
| 10589490 | Tip Cone Cover, yellow |
| 1131400 | O-Ring Spring 0,5x7,7x14 |
| 10589500 | Support ring 50ul |
| 1030480 | O-ring 1,78x1,78 EPDM 70S |
| 0202040 | Screw PT 2,2x12 WN 1442 |
| 10590090 | Body Cover A Digital |
| 0202020 | Screw PT 2,2x8 WN 1442 |
| 1131930 | Fastening Spring |
| 10590112 | Tip ejector 50ul 12ch, BioC |
| 2205690 | Finnpipette BioControl Module 12ch 50-300ul |
| 10589300 | Colour ring yellow, BioC |
| 1131430 | Module spring 0,7x16,5x23 |
| 10590100 | Body Cover B Digital |
| 10590870 | Piston Holder 12ch, BioC |
| 1131790 | Piston Spring 0,5x8x4,5 |
| 10589170 | Piston 300ul, Novus |
| 2207090 | (12pcs) Tip cone assy 300ul, 12pcs Digital |
| 10589490 | Tip Cone Cover, yellow |
| 1131400 | O-Ring Spring 0,5x7,7x14 |
| 10589510 | Support ring 300ul |
| 1030140 | O-ring 4,5x1,5 EPDM 70S |
| 0202040 | Screw PT 2,2x12 WN 1442 |
| 10590090 | Body Cover A Digital |
| 0202020 | Screw PT 2,2x8 WN 1442 |
| 1131930 | Fastening Spring |
| 10590111 | Tip ejector 300ul 12ch, BioC |



Finnpipette BioControl Spare Parts 1.Jan.2010

Finnpipette BioControl 8-ch 1500µl and 16-ch 50µl Module

| Reference | Part name |
|----------------|--|
| 2206060 | Finnpipette BioControl Module 8ch 50-1500ul |
| 10591861 | Tip ejector 1500ul, BioC |
| 2206500 | Piston 1500ul, BioC |
| 10591780 | Tip cone 1500ul, BioC |
| 10591830 | Colour ring green, BioC |
| 1131430 | Module spring 0,7x16,5x23 |
| 10591840 | Body cover A 1500ul, BioC |
| 10589150 | Piston holder, BioC |
| 10591850 | Body cover B 1500ul, BioC |
| 0202130 | Screw PT 2,2x16 WN 1442 ZN |
| 0202040 | Screw PT 2,2x12 WN 1442 |
| 10591861 | Tip ejector 1500ul, BioC |
| 2207030 | Finnpipette BioControl Module 16ch 5-50ul micro |
| 10589287 | Tip Ejector 50ul 16ch, BioC |
| 10593870 | Piston head 16ch |
| 11071320 | Piston 50ul 16ch Digital |
| 1131790 | Piston Spring 0,5x8x4,5 |
| 10593840 | Tip Cone Cover 16ch |
| 1132130 | Piston Spring 0,25x3,6x11,5 |
| 10593500 | Spring support 50ul |
| 1030170 | O-ring 1,6x1,0 EPDM 70S |
| 2207950 | (8pcs) Tip cone assy 16ch 50ul, 8pcs |
| 10593890 | Colour ring turquoise, BioC |
| 1131430 | Module spring 0,7x16,5x23 |
| 10589270 | Body cover B 8-ch Digital |
| 10589150 | Piston holder, BioC |
| 10589260 | Body cover A 8ch, Digital |
| 0202040 | Screw PT 2,2x12 WN 1442 |
| 0202020 | Screw PT 2,2x8 WN 1442 |
| 1131930 | Fastening Spring |
| 10589287 | Tip Ejector 50ul 16ch, BioC |
| 10593800 | Tip Ejector Plate MCP 16ch |

Finnpipette Spare Parts in Order of Code Number

| Reference | Part name |
|-----------|--|
| 0200040 | Screw 2,2x4,5 DIN 7981 Z |
| 0202010 | Screw PT 2-28x6 FeZn |
| 0202011 | Screw PT 2,2x6 WN 1442 FeZn |
| 0202020 | Screw PT 2,2x8 WN 1442 |
| 0202021 | Screw RX PT 2-28x 8 M DIN 1442 |
| 0202040 | Screw PT 2,2x12 WN 1442 |
| 0202041 | Screw RX PT 2-28x12 M DIN 1442 |
| 0202050 | Screw PT 2,2x16 WN 1442 |
| 0202061 | Screw RX PT 2-28x16 M DIN 1442 |
| 0202130 | Screw PT 2,2x16 WN 1442 ZN |
| 0210098 | Screw M2,5x8 DIN 7985 A2 |
| 0210099 | Screw M2,5x6 DIN 7985 A2 PZ |
| 0212181 | Screw M3 x 10 DIN 912 ZM |
| 0212281 | Screw M3 x 18 DIN 912 ZM |
| 0412450 | Limiter ring 5ml BioC |
| 0412460 | Limiter ring 10ml BioC |
| 1006500 | Ring PDP |
| 1012200 | Isolation sheet Novus |
| 1030020 | O-ring 8,73x1,78 EPDM 70S |
| 1030060 | O-ring 0,78x1,02 EPDM 70S |
| 1030140 | O-ring 4,5x1,5 EPDM 70S |
| 1030160 | O-ring 3,68x1,78 EPDM 70S |
| 1030170 | O-ring 1,6x1,0 EPDM 70S |
| 1030230 | O-ring 16x2,0 EPDM 70S |
| 1030260 | O-ring 5x1,5 EPDM 70S |
| 1030380 | O-ring 2x1 EPDM 70S |
| 1030480 | O-ring 1,78x1,78 EPDM 70S |
| 1030490 | O-ring 6.10x1,60 EPDM 70S |
| 1030500 | O-ring 2,3x1,0 EPDM 70S |
| 1030510 | O-ring 2,6x1,3 EPDM 70S |
| 1030550 | O-ring 6x1 EPDM 70S |
| 1030560 | O-ring 3x1,5 Nitrile |
| 1030570 | Sealing 2x2mm |
| 1030590 | O-ring 9,19x2,62 EPDM 70S |
| 1030880 | O-ring 6,75x1,78 EPDM 70S |
| 1033050 | O-ring 23,47x2,62 EPDM 70S |
| 1033060 | O-ring 1,78x1,02 EPDM 70S |
| 1033110 | O-ring 1.06x1.27 EPDM 70S |
| 1033140 | O-ring 4.6x1.6 EPDM |
| 1033150 | O-ring 4x1 EPDM |
| 1033160 | O-ring 0,5x1,0 EPDM |
| 1033180 | O-ring 4,48x1,78 EPDM |
| 1033190 | O-ring 1,8x1,2 EPDM |
| 1033330 | O-ring 4.70x1,42 EPDM 70S |
| 1051550 | O-ring Cap |
| 1053440 | Loading lever, Multistepper |
| 1053450 | Gear wheel, Stepper |
| 1053840 | Piston 200ul |
| 1053860 | O-ring Cap 200ul |
| 1053870 | O-ring Cap 40ul |
| 1054260 | O-ring Cap 1000ul |
| 1054523 | Piston holder 4ch, Colour |
| 1054820 | Tip Ejector Pusher Holder |
| 1055860 | Body cover 200ul, Multistepper |
| 1055870 | Tip ejector plate 200 ul, Multistepper |
| 1055970 | Body cover 50ul, Multistepper |
| 1056000 | Tip ejector plate 50 ul, Multistepper |
| 1056030 | Collar MCP 50ul |
| 1056040 | Collar MCP 300ul |
| 1056060 | Tip cone 50 ul, Multistepper |
| 1056080 | Tip Cone Holder 4ch 50 ul |
| 1056090 | Tip Cone Holder 8ch 50 ul |
| 1056100 | Tip Cone Holder 12ch 50 ul |
| 1056110 | Tip Cone Holder 4ch 300 ul |
| 1056120 | Tip Cone Holder 8-ch 300 ul |
| 1056130 | Tip Cone Holder 12-ch 300 ul |
| 1056150 | Cap black, Colour |
| 1056630 | Spring support |
| 1056860 | Cover Varichannel |
| 1057000 | Locking ring, Multistepper |
| 1057480 | Cap, grey Digital |
| 1057490 | Cap, orange Digital |
| 1057500 | Cap, yellow Digital |
| 1057510 | Cap, blue Digital |
| 1057520 | Cap, green Digital |
| 1057790 | Tip ejector beam Varichannel |
| 1057800 | Ejector bushing, Varichannel |
| 1057810 | Ejector cover Varichannel |
| 1057820 | Locking part, Varichannel |
| 1057830 | Tip Ejector Square 1000ul Varichannel |
| 1057840 | Tip Ejector Square 200ul Varichannel |
| 1058260 | Cap, red Digital |
| 1058350 | Grippy, Multistepper |
| 1058530 | Tip ejector pusher, Varichannel |
| 1058540 | Body upper part, Multistepper |
| 1058550 | Tip ejector, upper part |
| 1058580 | Cylinder block, Multistepper |

Finnpipette Spare Parts in Order of Code Number

| Reference | Part name |
|-----------|--|
| 1058790 | Tip cone 25ul, PDP |
| 10588000 | Tip cone 200ul PDP |
| 10588011 | Tip cone cover, PDP |
| 10588030 | Handle back, PDP |
| 105883905 | Tip ejector pusher 0.5-10ul, Campus |
| 105883906 | Tip ejector pusher 5-40ul, Campus |
| 105883907 | Tip ejector pusher 40-200ul, Campus |
| 105883908 | Tip ejector pusher 200-1000ul, Campus |
| 105883909 | Tip ejector pusher 1-5ml, Campus |
| 105883916 | Tip ejector pusher 5-50ul, Campus |
| 105883917 | Tip ejector pusher 20-200ul, Campus |
| 105883918 | Tip ejector pusher 100-1000ul, Campus |
| 10588511 | Body, Stepper |
| 10588521 | Cover, Stepper |
| 10588531 | Volume Selector Dial, Stepper |
| 10588540 | Dispensing Lever, Stepper |
| 10588550 | Toothed Rack, Stepper |
| 10588560 | Filling Lever, Stepper |
| 10588570 | Selector Slide, Stepper |
| 10588711 | Handle cover 0.5-10ul, Colour |
| 10588721 | Handle cover 5-40/50ul, Colour |
| 10588731 | Handle cover 20/40-200ul, Colour |
| 10588741 | Handle cover 100/200-1000ul, Colour |
| 10588753 | Tip Ejector Pusher 0.5-10ul |
| 10588755 | Tip Ejector Pusher, 500ul |
| 105887601 | Tip Ejector Pusher 5-50ul |
| 10588763 | Tip ejector pusher 5-40ul, Colour |
| 10588765 | Tip Ejector Pusher, 100ul |
| 105887724 | Tip Ejector Pusher 20-200ul |
| 10588773 | Tip ejector pusher 40-200ul, Colour |
| 10588775 | Tip Ejector Pusher, 50ul |
| 10588776 | Tip Ejector Pusher MCP 5-50ul |
| 105887812 | Tip Ejector Pusher 100-1000ul |
| 10588783 | Tip ejector pusher 200-1000ul, Colour |
| 10588785 | Tip ejector pusher 5ul, Colour |
| 10588786 | Tip Ejector Pusher MCP 50-300ul |
| 10588790 | Lower Tip Cone 0.5-5ul |
| 10588800 | Tip Cone 0.5-40ul |
| 10588810 | Tip Cone 40-200ul |
| 10588820 | Tip Cone 200-1000ul |
| 10588830 | Tip Ejector 0.5-200ul |
| 10588840 | Tip Ejector 200-1000ul |
| 10588850 | Cap, white Digital |
| 10589032 | Tip ejector pusher, 10ul |
| 10589070 | Service tool, Colour |
| 10589100 | Encoder body, BioC |
| 10589150 | Piston holder, BioC |
| 10589170 | Piston 300ul, Novus |
| 10589180 | Handle Cover A, BioC |
| 10589192 | Handle Cover B, BioC |
| 10589200 | Cover, BioC |
| 10589211 | Display lens, BioC |
| 10589230 | Speed button, BioC |
| 10589240 | Latch, BioC |
| 10589260 | Body cover A 8ch, Digital |
| 10589270 | Body cover B 8-ch Digital |
| 10589280 | Tip Ejector 8-ch Digital |
| 10589281 | Tip Ejector 300ul 8ch, BioC |
| 10589282 | Tip Ejector 50ul 8ch, BioC |
| 10589283 | Tip Ejector 10ul 8ch, BioC |
| 10589285 | Tip Ejector 16-ch Digital |
| 10589287 | Tip Ejector 50ul 16ch, BioC |
| 10589290 | Ejector bar, BioC |
| 10589300 | Colour ring yellow, BioC |
| 10589450 | Piston 1000ul |
| 10589479 | Tip Ejector Pusher, 20ul |
| 10589490 | Tip Cone Cover, yellow |
| 10589500 | Support ring 50ul |
| 10589510 | Support ring 300ul |
| 10589530 | Piston 50ul MCP, BioC |
| 10589561 | Tip Ejector Pusher, 1000ul |
| 10589571 | Tip Ejector Pusher, 200ul |
| 10589581 | Tip Ejector Pusher, 250ul |
| 10589591 | Tip Ejector Pusher, 25ul |
| 10589592 | Tip Ejector Pusher, 1-5ml |
| 10589780 | Cap, red Digital |
| 10589790 | Cap yellow, Digital |
| 10589800 | Cap lila, Digital |
| 10589810 | Cap pink, Digital |
| 10589820 | Cap dark green, Digital |
| 10589830 | Cap turquoise, Digital |
| 10589840 | Cap dark grey, Digital |
| 10589940 | Handle Cover Grey |
| 10589941 | Handle cover grey Fixed, use code 10589940 |
| 10590090 | Body Cover A Digital |
| 10590100 | Body Cover B Digital |
| 10590110 | Tip Ejector 12-ch Digital |

Finnpipette Spare Parts in Order of Code Number

| Reference | Part name |
|-----------|---|
| 10590111 | Tip ejector 300ul 12ch, BioC |
| 10590112 | Tip ejector 50ul 12ch, BioC |
| 10590130 | Pecker, Stepper |
| 10590140 | Tip Ejector 5-50ul Colour |
| 10590150 | Tip Ejector 50-300ul Colour |
| 10590220 | Body cover 4ch 50ul, Colour |
| 10590230 | Body cover 4ch 300ul, Colour |
| 10590240 | Body Cover 8-ch 5-50ul |
| 10590250 | Body Cover 8-ch 50-300ul |
| 10590260 | Body cover 12ch 50ul, Colour |
| 10590270 | Body Cover 12-ch 50-300ul |
| 10590280 | Tip ejector plate 4ch 50ul, Colour |
| 10590290 | Tip ejector plate 4ch 300ul, Colour |
| 10590300 | Tip Ejector Plate 8-channel 5-50ul |
| 10590310 | Tip Ejector Plate 8-channel 50-300ul |
| 10590320 | Tip ejector plate 12ch 50ul, Colour |
| 10590330 | Tip Ejector Plate 12-channel 50-300ul |
| 10590340 | Tip Cone 5-50ul MCP Colour |
| 10590350 | Tip Cone 50-300ul MCP Colour |
| 10590360 | Colour ring orange, BioC |
| 10590520 | Cap dark blue, Digital |
| 10590531 | Tip ejector pusher 1-5ml Fixed, Colour |
| 10590540 | Cylinder 1-5ml Colour |
| 10590551 | Handle cover 1-5ml, Colour |
| 10590560 | Handle Cover grey 1-5ml |
| 10590561 | Handle cover 1-5ml Fixed, Colour |
| 10590570 | Cover turquoise 1-5ml |
| 10590580 | Cover grey 1-5ml |
| 10590590 | Tip ejector turquoise 1-5ml |
| 10590600 | Tip ejector gray 1-5ml |
| 10590770 | Piston Holder 8-ch Colour |
| 10590790 | Piston Holder, Multistepper |
| 10590810 | Piston Holder 12-ch Colour |
| 10590870 | Piston Holder 12ch, BioC |
| 10590980 | Cylinder upper part 5ml, BioC |
| 10590990 | Cylinder upper part 10ml, BioC |
| 10591001 | Tip ejector upper part 5ml, BioC |
| 10591011 | Tip ejector upper part 10ml, BioC |
| 10591080 | Tip Cone 40&200ul |
| 10591090 | Ejector cap, BioC |
| 10591101 | Tip ejector 40ul, BioC |
| 10591102 | Tip ejector 200ul, BioC |
| 10591110 | Piston 200ul, BioC |
| 10591120 | Support Ring 200ul |
| 10591130 | Lock Ring |
| 10591140 | Sleeve 40ul |
| 10591150 | Support Ring 40ul |
| 10591160 | Tip cone 1000ul, BioC |
| 10591171 | Tip ejector 1000ul, BioC |
| 10591210 | Piston 40ul, BioC |
| 10591270 | Ejector cap yellow, BioC |
| 10591280 | Ejector cap orange, BioC |
| 10591640 | Limiter Ring BioControl |
| 10591650 | Colour ring grey, BioC |
| 10591661 | Body Cover 1 MCP Stepper printed |
| 10591670 | Body Cover 2 MCP Stepper |
| 10591680 | Piston Holder MCP Stepper |
| 10591690 | Tip Ejector MCP Stepper |
| 10591700 | Tip ejector pusher, Multistepper |
| 10591710 | Cylinder block, Multistepper |
| 10591780 | Tip cone 1500ul, BioC |
| 10591830 | Colour ring green, BioC |
| 10591840 | Body cover A 1500ul, BioC |
| 10591850 | Body cover B 1500ul, BioC |
| 10591861 | Tip ejector 1500ul, BioC |
| 10592500 | Soft cap, grey Digital |
| 10592510 | Soft cap, orange Digital |
| 10592520 | Soft cap, yellow Digital |
| 10592530 | Soft cap, blue Digital |
| 10592540 | Soft cap, green Digital |
| 10592550 | Soft cap red, Digital |
| 10592560 | Soft cap pink, Digital |
| 10592590 | Soft cap, dark blue Digital |
| 10592610 | Soft cap turquoise, Digital |
| 10593000 | Tip Ejector Upper Part Digital |
| 105930101 | Tip ejector lower part 5-50ul Digital |
| 105930102 | Tip ejector lower part 50-300ul Digital |
| 10593011 | Tip ejector lower part 0,2-2ul Digital |
| 10593012 | Tip ejector lower part 0,5-10ul Digital |
| 105930120 | Tip ejector lower part 10-100ul Digital |
| 105930121 | Tip ejector lower part 100-1000ul Digital |
| 10593013 | Tip ejector lower part 5-40ul Digital |
| 10593014 | Tip ejector lower part 40-200ul, Digital |
| 10593015 | Tip ejector lower part 200-1000ul Digital |
| 10593016 | Tip ejector lower part 1-5ml Digital |
| 10593017 | Tip ejector lower part 2-10ml Digital |
| 10593018 | Tip ejector lower part 2-20ul Digital |

Finnpipette Spare Parts in Order of Code Number

| Reference | Part name |
|-----------|--|
| 10593019 | Tip ejector lower part 20-200ul Digital |
| 10593041 | Window 200/1000/300ul Digital |
| 10593042 | Window 10/40/50ul/10ml Digital |
| 10593043 | Window 2ul/5ml Digital |
| 10593050 | Label Window Digital |
| 10593060 | Cogwheel Digital |
| 10593080 | Adapter SCP Digital |
| 10593090 | Tip Cone 20ul |
| 10593100 | Tip Ejector 1000ul |
| 10593110 | Tip Ejector 200ul |
| 10593120 | Tip Ejector 10ul |
| 10593130 | Cylinder 5ml Digital |
| 10593150 | Tip Ejector, upper part 5ml Digital |
| 10593160 | Tip Ejector, lower part 5ml Digital |
| 10593190 | Tip Ejector, upper part 10ml Digital |
| 10593200 | Tip Ejector, lower part 10ml Digital |
| 10593210 | Tip Ejector Ring Digital |
| 10593220 | Adapter MCP Digital |
| 10593230 | Tip Ejector Plate |
| 10593260 | Spring Support MCP Digital |
| 10593280 | Second Support MCP Digital |
| 10593290 | Sealing Casing |
| 10593300 | O-ring tube 2ul |
| 10593310 | O-ring tube 10ul |
| 10593320 | O-ring tube 20ul |
| 10593330 | O-ring tube |
| 10593340 | Spring Support |
| 10593360 | Spring Support |
| 10593410 | Tip Cone 1000ul Digital |
| 10593420 | Tip Cone 200ul Digital |
| 10593430 | Tip Cone 40ul Digital |
| 10593440 | Cylinder 10ml Digital |
| 10593480 | Service Tool Digital |
| 10593500 | Spring support 50ul |
| 10593510 | Piston Support MCP 10ul |
| 10593620 | Tip Cone 100ul Digital |
| 10593800 | Tip Ejector Plate MCP 16ch |
| 10593840 | Tip Cone Cover 16ch |
| 10593850 | O-bushing 10ul/16ch |
| 10593870 | Piston head 16ch |
| 10593890 | Colour ring turquoise, BioC |
| 1060040 | Tube |
| 1060160 | Cap, orange Focus |
| 1060170 | Cap, yellow Focus |
| 1060180 | Cap, blue Focus |
| 1060190 | Cap, green Focus |
| 1060200 | Cap, red Focus |
| 1060210 | Cap, pink Focus |
| 1060220 | Cap, dark blue Focus |
| 1060240 | Cap, turquoise Focus |
| 1060340 | Snap-on handle piece, medium, blue |
| 10603901 | Tip ejector pusher 0.3-3ul Focus |
| 10603903 | Tip ejector pusher 1ul Focus |
| 10603904 | Tip ejector pusher 2ul Focus |
| 10603905 | Tip ejector pusher 5ul Focus |
| 10603906 | Tip ejector pusher 10ul Focus |
| 10603907 | Tip ejector pusher 20ul Focus |
| 10603908 | Tip ejector pusher 25ul Focus |
| 10603909 | Tip ejector pusher 50ul Focus |
| 1060391 | Tip ejector pusher 1-10ml Focus |
| 10603910 | Tip ejector pusher 100ul Focus |
| 10603911 | Tip ejector pusher 200ul Focus |
| 10603912 | Tip ejector pusher 250ul Focus |
| 10603913 | Tip ejector pusher 500ul Focus |
| 10603914 | Tip ejector pusher 1000ul Focus |
| 10603915 | Tip ejector pusher 2ml Focus |
| 10603916 | Tip ejector pusher 3ml Focus |
| 10603917 | Tip ejector pusher 5ml Focus |
| 10603918 | Tip ejector pusher 10ml Focus |
| 1060392 | Tip ejector pusher 0.5-5ml Focus |
| 1060393 | Tip ejector pusher 100-1000ul Focus |
| 1060394 | Tip ejector pusher 30-300ul Focus |
| 1060395 | Tip ejector pusher 10-100ul Focus |
| 1060396 | Tip ejector pusher 5-50ul Focus |
| 1060397 | Tip ejector pusher 3-30ul Focus |
| 1060398 | Tip ejector pusher 1-10ul Focus |
| 1060399 | Tip ejector pusher 0.5-5ul Focus |
| 1060400 | Cogwheel Focus |
| 1060421 | Display window 300ul, 1000ul Focus |
| 1060422 | Display window 30ul, 50ul, 100ul Focus |
| 1060423 | Display window 3ul, 5ul, 10ul, 5ml, 10ml Focus |
| 1060430 | Snap-on handle piece, medium, turquoise |
| 1060510 | Cylinder 10ml Focus |
| 1060520 | Tip ejector upper part 10ml Focus |
| 1060530 | Tip ejector lower part 10ml Focus |
| 1060560 | Tip cone 10ul Focus short |
| 1060570 | Tip cone 50ul Focus short |

Finnpipette Spare Parts in Order of Code Number

| Reference | Part name |
|-----------|---|
| 1060580 | Tip cone 100/300ul Focus short |
| 1060590 | Tip cone 1000ul Focus short |
| 1060600 | Spring base 10/50ul Focus |
| 1060610 | Spring base 100ul Focus |
| 1060620 | Spring base 300ul Focus |
| 1060630 | Spring base 1000ul Focus |
| 1060640 | Tip ejector SCP upper part Focus |
| 1060650 | Tip ejector 10ul Focus short |
| 1060660 | Tip ejector 100ul Focus short |
| 1060670 | Tip ejector 1000ul Focus short |
| 1060690 | Piston 50ul Focus |
| 1060700 | Piston 100ul Focus |
| 1060710 | Piston 1000ul Focus |
| 1060720 | Piston 50ul Micro Focus |
| 1060730 | Support sleeve 50ul Focus short |
| 1060740 | O-ring tube 10ul Focus |
| 1060750 | Piston 300ul Focus short |
| 1060790 | Cylinder 5ml Focus |
| 1060800 | Tip ejector upper part 5ml Focus |
| 1060810 | Tip ejector lower part 5ml Focus |
| 1060840 | Window frame Focus |
| 1060880 | Cover yellow 100ul |
| 1060890 | Cover turquoise 50ul |
| 1060900 | Cover grey 30ul |
| 1060910 | Cover pink 10ul |
| 1060920 | Cover lila 5ul |
| 1060930 | Cover orange 3ul |
| 1061020 | Tip cone cover, grey |
| 1061030 | Snap-on handle piece, medium, dark blue |
| 1061060 | Tip ejector upper part 5ml Focus dark blue |
| 1061070 | Tip ejector upper part 10ml Focus dark blue |
| 1061080 | Solid window left Focus |
| 1061090 | Solid window right Focus |
| 1061100 | Tip cone holder top Focus 12ch |
| 1061110 | Tip cone holder bottom Focus 12ch |
| 1061120 | Bushing Focus 12ch |
| 1061140 | Tip ejector top, Focus 12ch |
| 1061150 | Tip ejector bottom Focus 12ch 50/300ul |
| 1061160 | Tip ejector bottom Focus 12ch 10ul |
| 1061170 | Tip cone holder top Focus 8ch |
| 1061180 | Tip cone holder bottom Focus 8ch |
| 1061200 | Tip ejector top Focus 8ch |
| 1061210 | Tip ejector bottom Focus 8ch 50/300ul |
| 1061220 | Tip ejector bottom Focus 8ch 10ul |
| 1061230 | Bushing Focus 8ch |
| 1061250 | Attachment tube MCP |
| 1061260 | Tip ejector bottom Focus 16ch 50ul |
| 1061280 | Piston 100ul Focus STD |
| 1061290 | Piston 300ul Focus STD |
| 1061300 | Tip ejector plate 10ul |
| 1061350 | Cover new blue 1000ul |
| 1061370 | Cover new natural 3ul |
| 1061380 | Cover new lila 5ul |
| 1061390 | Cover new pink 10ul |
| 1061400 | Cover new grey 30ul |
| 1061410 | Cover new turquoise 50ul |
| 1061420 | Cover new yellow 100ul |
| 1061430 | Cover new orange 300ul |
| 10614701 | Tip ejector pusher 5ul Fixed F3 |
| 10614702 | Tip ejector pusher 10ul Fixed F3 |
| 10614703 | Tip ejector pusher 25ul Fixed F3 |
| 10614704 | Tip ejector pusher 50ul Fixed F3 |
| 10614705 | Tip ejector pusher 100ul Fixed F3 |
| 10614706 | Tip ejector pusher 250ul Fixed F3 |
| 10614707 | Tip ejector pusher 500ul Fixed F3 |
| 10614708 | Tip ejector pusher 1000ul Fixed F3 |
| 1061471 | Tip ejector pusher 1-10ul micro F3 |
| 1061472 | Tip ejector pusher 2-20ul micro F3 |
| 1061473 | Tip ejector pusher 10-100ul F3 |
| 1061474 | Tip ejector pusher 20-200ul F3 |
| 10614742 | Tip ejector pusher 5-50ul F3 |
| 10614743 | Tip ejector pusher 30-300ul F3 |
| 10614744 | Tip ejector pusher 5-50ul micro F3 |
| 1061475 | Tip ejector pusher 100-1000ul F3 |
| 1061476 | Tip ejector pusher 1-10ml F3 |
| 1061477 | Tip ejector pusher 1-10ul F3 |
| 1061478 | Tip ejector pusher 2-20ul F3 |
| 1061479 | Tip ejector pusher 1ul Fixed F3 |
| 1061620 | Tip cone 1000 F3 |
| 1061630 | Tip cone 100&200 F3 |
| 1061640 | Tip Cone 10&20 F2 |
| 1061650 | Tip Ejector 1000 F3 |
| 1061660 | Tip Ejector 100&200 F3 |
| 1061670 | Tip Ejector 10&20 F3 |
| 1061680 | Piston 1000ul F-series |
| 1061690 | Piston 100 F1/F2/F3 |
| 1061760 | Piston 200 F-series |

Finnpipette Spare Parts in Order of Code Number

| Reference | Part name |
|------------------|---|
| 1061770 | Spring Support 200 F-series |
| 1061780 | Spring Support 100 F-series |
| 1061800 | Tip ejector top 10ml F3 |
| 1061810 | Tip ejector bottom 10ml F3 |
| 1061960 | Cylinder 10ml F3 |
| 1061980 | Support ring 300ul Novus |
| 1061990 | MCP Spring Base F-series |
| 1062000 | Tip cone 10ul STD |
| 1062010 | Tip cone 50ul STD |
| 1062020 | Tip cone 100ul STD |
| 1062030 | Tip cone 1000ul STD |
| 1062040 | Tip ejector 10ul STD |
| 1062050 | Tip ejector 100ul STD |
| 1062060 | Tip ejector 1000ul STD |
| 1062070 | Piston 50ul Focus STD |
| 1062100 | Motor top Novus |
| 1062110 | Motor tube Novus |
| 1062120 | Ejector rack Novus |
| 1062131 | Cover 1-10ul Novus |
| 1062132 | Cover 5-50ul Novus |
| 1062133 | Cover 10-100ul Novus |
| 1062134 | Cover 30-300ul Novus |
| 1062135 | Cover 100-1000ul Novus |
| 1062136 | Cover 0.5-5ml Novus |
| 1062137 | Cover 1-10ml Novus |
| 1062138 | Cover 100-1200ul Novus |
| 1062140 | Bottom Novus |
| 1062160 | Ejector lever Novus |
| 1062180 | Trigger support Novus |
| 1062190 | Trigger, pink Novus |
| 1062200 | Battery lid blank Novus |
| 1062201 | Battery lid printed Novus |
| 1062211 | Lens Novus Finnpiquette |
| 1062220 | Tooth rack Novus |
| 1062250 | Piston 300ul Novus |
| 1062260 | Piston 100ul Novus |
| 1062310 | Piston 50ul Novus |
| 1062340 | Trigger, yellow Novus |
| 1062350 | Trigger, turquoise Novus |
| 1062360 | Piston 1000ul Novus |
| 1062380 | Cover A 8ch Novus |
| 1062390 | Cover B 8ch Novus |
| 1062400 | Tip ejector 8ch Novus |
| 1062401 | Tip ejector 16ch Novus |
| 1062410 | Cover B 12ch Novus |
| 1062420 | Cover A 12ch Novus |
| 1062430 | Tip ejector 12ch Novus |
| 1062440 | Piston bar 12ch Novus |
| 1062450 | Piston bar 8ch Novus |
| 1062460 | MCP color ring Novus |
| 1062470 | MCP steering plate Novus |
| 1062480 | Piston bar 12ch Focus |
| 1062490 | Piston bar 8ch Focus |
| 1062500 | Service tool Novus |
| 1062520 | Trigger, orange Novus |
| 1062530 | Trigger, blue Novus |
| 1062540 | Trigger, green Novus |
| 1062550 | Trigger, red Novus |
| 1062560 | Tip ejector upper part, pink Novus |
| 1062570 | Tip ejector upper part, yellow Novus |
| 1062580 | Tip ejector upper part, turquoise Novus |
| 1062590 | Tip ejector upper part, orange Novus |
| 1062600 | Tip ejector upper part, blue Novus |
| 1062610 | Tip ejector upper part, 5ml Novus |
| 1062620 | Tip ejector upper part, 10ml Novus |
| 1062660 | Attachment tube SCP |
| 1062720 | Cylinder 1200ul Novus |
| 1062740 | Cover B 1200ul Novus |
| 1062750 | Cover A 1200ul Novus |
| 1062760 | Ejector 1200ul Novus |
| 1062780 | Piston bar 1200ul Novus |
| 1062791 | Cover 1-10ul, Novus BL |
| 10627911 | Cover, Novus BL HD |
| 1062792 | Cover 5-50ul, Novus BL |
| 1062793 | Cover 10-100ul, Novus BL |
| 1062794 | Cover 30-300ul, Novus BL |
| 1062795 | Cover 100-1000ul, Novus BL |
| 1062796 | Cover 0.5-5ml, Novus BL |
| 1062797 | Cover 1-10ml, Novus BL |
| 1062798 | Cover 1200ul, Novus BL |
| 1062800 | Service Tool, F-series |
| 1062830 | Tip ejector upper part baby blue 5ml Focus |
| 1062840 | Tip ejector upper part baby blue 10ml Focus |
| 1062870 | MCP Color Ring F3 |
| 1062880 | MCP Adapter F-series |
| 1062890 | Claw1 MCP Adapter F-series |
| 1062900 | Claw2 MCP Adapter F-series |

Finnpipette Spare Parts in Order of Code Number

| Reference | Part name |
|-----------|---|
| 1062930 | Service tool MCP, F-series |
| 1062940 | Piston bar 12ch F2 |
| 1062950 | Piston bar 8ch F2 |
| 1063140 | Bottom 8ch F3 |
| 1063150 | Cover 8ch F3 |
| 1063160 | Ejector 8ch F3 |
| 1063170 | Bottom 12ch F3 |
| 1063180 | Cover 12ch F3 |
| 1063190 | Ejector 12ch F3 |
| 10632301 | Tip ejector pusher lower part 2-20ul F1 |
| 10632302 | Tip ejector pusher lower part 30-300ul F1 |
| 10632303 | Tip ejector pusher lower part 0,5-5ml F1 |
| 10632304 | Tip ejector pusher lower part 5-50ul F1 |
| 10632305 | Tip ejector pusher lower part 5-50ul micro F1 |
| 10632306 | Tip ejector pusher lower part 1-10ul 16ch F1 |
| 10632307 | Tip ejector pusher lower part Fixed F1 |
| 1063231 | Tip ejector pusher lower part 0,2-2ul F1 |
| 1063232 | Tip ejector pusher lower part 0,5-5ul F1 |
| 1063233 | Tip ejector pusher lower part 1-10ul micro F1 |
| 1063234 | Tip ejector pusher lower part 2-20ul micro F1 |
| 1063235 | Tip ejector pusher lower part 10-100ul F1 |
| 1063236 | Tip ejector pusher lower part 20-200ul F1 |
| 1063237 | Tip ejector pusher lower part 100-1000ul F1 |
| 1063238 | Tip ejector pusher lower part 1-10ml F1 |
| 1063239 | Tip ejector pusher lower part 1-10ul F1 |
| 1063250 | Label Slider F1 |
| 1063310 | Tip Ejector Top 5ml F1 |
| 1063320 | Tip Ejector Bottom 5ml F1 |
| 1063340 | Cover 8ch pink F2 |
| 1063350 | Bottom 8ch pink F2 |
| 1063360 | Ejector 8ch F2 |
| 1063361 | Tip ejector 16ch F2 |
| 1063370 | Gear Ejector F-series |
| 1063380 | Bottom 8ch F1 |
| 1063390 | Cover 8ch F1 |
| 1063401 | Tip Ejector Bottom 16ch F1 |
| 1063412 | Tip Ejector Top 16ch F1 |
| 1063420 | Bottom 12ch F1 |
| 1063430 | Cover 12ch F1 |
| 1063490 | O-support 10ul/16ch |
| 1063520 | Support Ring MCP 100ul F-series |
| 1063550 | Tip Cone 50 F2 |
| 1063560 | Tip Cone 10&20 F1 |
| 1063570 | Tip Cone 100&200&300 |
| 1063580 | Tip Cone 1000 F1 |
| 1063600 | Tip Ejector 10&20 F2 |
| 10636201 | Tip ejector pusher 2-20ul F2 |
| 10636202 | Tip ejector pusher 30-300ul F2 |
| 10636203 | Tip ejector pusher 0,5-5ml F2 |
| 10636204 | Tip ejector pusher 5-50ul 16ch F2 |
| 10636205 | Tip ejector pusher 1-10ul 16ch F2 |
| 10636206 | Tip ejector pusher 1ul Fixed F2 |
| 10636207 | Tip ejector pusher 5-50ul F2 |
| 10636208 | Tip ejector pusher 5ul Fixed F2 |
| 10636209 | Tip ejector pusher 10ul Fixed F2 |
| 1063621 | Tip ejector pusher 0,2-2ul F2 |
| 10636211 | Tip ejector pusher 25ul Fixed F2 |
| 10636212 | Tip ejector pusher 50ul Fixed F2 |
| 10636213 | Tip ejector pusher 100ul Fixed F2 |
| 10636214 | Tip ejector pusher 250ul Fixed F2 |
| 10636215 | Tip ejector pusher 500ul Fixed F2 |
| 10636216 | Tip ejector pusher 1000ul Fixed F2 |
| 10636217 | Tip ejector pusher 2ml Fixed F2 |
| 10636218 | Tip ejector pusher 3ml Fixed F2 |
| 10636219 | Tip ejector pusher 5ml Fixed F2 |
| 1063622 | Tip ejector pusher 0,5-5ul F2 |
| 10636221 | Tip ejector pusher 10ml Fixed F2 |
| 10636223 | Tip ejector pusher 20ul Fixed F2 |
| 10636224 | Tip ejector pusher 200ul Fixed F2 |
| 1063623 | Tip ejector pusher 1-10ul micro F2 |
| 1063624 | Tip ejector pusher 2-20ul micro F2 |
| 1063625 | Tip ejector pusher 10-100ul F2 |
| 1063626 | Tip ejector pusher 20-200ul F2 |
| 1063627 | Tip ejector pusher 100-1000ul F2 |
| 1063628 | Tip ejector pusher 1-10ml F2 |
| 1063629 | Tip ejector pusher 1-10ul F2 |
| 1063760 | Ejector 1000 F2 |
| 1063770 | Tip Ejector 100&200 F2 |
| 1063800 | Tip ejector top 5ml F2 |
| 1063810 | Tip ejector bottom 5ml F2 |
| 1063820 | Cylinder 5ml F2 |
| 1063830 | Tip ejector top 10ml F2 |
| 1063840 | Tip ejector bottom 10ml F2 |
| 1063860 | Cover 12ch pink F2 |
| 1063870 | Bottom 12ch pink F2 |
| 1063880 | Ejector 12ch F2 |
| 1063890 | MCP Color Ring F2 |

Finnpipette Spare Parts in Order of Code Number

| Reference | Part name |
|-----------|---|
| 1064030 | Tip Cone 50 F1/F3 |
| 1064120 | Piston 300ul F1 |
| 1064140 | Bottom 8ch yellow F2 |
| 1064150 | Bottom 8ch orange F2 |
| 1064160 | Bottom 8ch lila F2 |
| 1064170 | Cover 8ch yellow F2 |
| 1064180 | Cover 8ch orange F2 |
| 1064190 | Cover 8ch lila F2 |
| 1064200 | Bottom 12ch yellow F2 |
| 1064210 | Bottom 12ch orange F2 |
| 1064220 | Cover 12ch yellow F2 |
| 1064230 | Cover 12ch orange F2 |
| 1064290 | Bottom 8ch turquoise F2 |
| 1064300 | Cover 8ch turquoise F2 |
| 1064310 | Tip Ejector Top Fixed 5ml F2 |
| 1064320 | Tip ejector top Fixed 10ml F2 |
| 1064340 | Piston Bar 12ch F1 |
| 1064350 | Piston Bar 8ch F1 |
| 1064360 | Tip Ejector 1000 F1 |
| 1064370 | Tip Ejector 100&200&300 F1 |
| 1064380 | Tip Ejector 10&20 F1 |
| 1064390 | MCP Color Ring F1 |
| 1064400 | Tip Ejector Top 10ml F1 |
| 1064410 | Tip Ejector Bottom 10ml F1 |
| 1064570 | Tip Ejector Plate 16ch F1 |
| 1064610 | Ejector plate 16ch F2 |
| 1064620 | Tip ejector plate 10ul F2 |
| 10647301 | Tip ejector pusher upper part 2-20ul F2 |
| 10647302 | Tip ejector pusher upper part 30-300ul F2 |
| 10647303 | Tip ejector pusher upper part 0,5-5ml F2 |
| 10647304 | Tip ejector pusher upper part 5-50ul 16ch F2 |
| 10647305 | Tip ejector pusher upper part 1-10ul 16ch F2 |
| 10647306 | Tip ejector pusher upper part 5-50ul F2 |
| 10647307 | Tip ejector pusher upper part 1ul Fixed F2 |
| 10647308 | Tip ejector pusher upper part 5ul Fixed F2 |
| 10647309 | Tip ejector pusher upper part 10ul Fixed F2 |
| 1064731 | Tip ejector pusher upper part 0,2-2ul F2 |
| 10647311 | Tip ejector pusher upper part 25ul Fixed F2 |
| 10647312 | Tip ejector pusher upper part 50ul Fixed F2 |
| 10647313 | Tip ejector pusher upper part 100ul Fixed F2 |
| 10647314 | Tip ejector pusher upper part 250ul Fixed F2 |
| 10647315 | Tip ejector pusher upper part 500ul Fixed F2 |
| 10647316 | Tip ejector pusher upper part 1000ul Fixed F2 |
| 10647317 | Tip ejector pusher upper part 2ml Fixed F2 |
| 10647318 | Tip ejector pusher upper part 3ml Fixed F2 |
| 10647319 | Tip ejector pusher upper part 5ml Fixed F2 |
| 1064732 | Tip ejector pusher upper part 0,5-5ul F2 |
| 10647321 | Tip ejector pusher upper part 10ml Fixed F2 |
| 10647322 | Tip ejector pusher upper part 20ul Fixed F2 |
| 10647323 | Tip ejector pusher upper part 200ul Fixed F2 |
| 1064733 | Tip ejector pusher upper part 1-10ul micro F2 |
| 1064734 | Tip ejector pusher upper part 2-20ul micro F2 |
| 1064735 | Tip ejector pusher upper part 10-100ul F2 |
| 1064736 | Tip ejector pusher upper part 20-200ul F2 |
| 1064737 | Tip ejector pusher upper part 100-1000ul F2 |
| 1064738 | Tip ejector pusher upper part 1-10ml F2 |
| 1064739 | Tip ejector pusher upper part 1-10ul F2 |
| 1064740 | Tip ejector pusher lower part F2 |
| 1064760 | Piston 50 F1/F2/F3 |
| 1064770 | O-ring tube F1/F2/F3 |
| 1090610 | Piston tube 40ul |
| 1092990 | Limiter, PDP |
| 1102551 | Pin 2x17.8 |
| 1106230 | Plunger 25ul AISI 316, PDP |
| 1106300 | Plunger 200ul AISI 316, PDP |
| 11070760 | Piston Multistepper |
| 11071320 | Piston 50ul 16ch Digital |
| 11071940 | Guide bar MCP, Focus |
| 11072010 | Piston 50ul 16ch Novus |
| 11072100 | Pin 1.9 x 9.6 mm |
| 1126990 | Large weight, Stepper |
| 11271430 | Small weight, Stepper |
| 1130111 | Tip ejector spring 0,5x4,7x31 |
| 1130510 | Piston Spring 0,6x6,9x65 |
| 1130550 | O-Ring Spring 0,8x13,7x15 |
| 1130560 | Piston Spring 0,5x4,2x75 |
| 1130570 | Tip Ejector Pusher Spring 0,5x4,6x58 |
| 1130680 | Holder Spring 0,8x6,4x80 |
| 1130720 | Holder Spring 0,8x6,4x90 |
| 1131090 | Piston Spring 0,6x6,9x55 |
| 1131330 | Spring 0,4x3x25 |
| 1131380 | Piston Spring 0,4x4,8x62 |
| 1131400 | O-Ring Spring 0,5x7,7x14 |
| 1131410 | Primary spring, BioC |
| 1131420 | Secondary spring, BioC |
| 1131430 | Module spring 0,7x16,5x23 |
| 1131440 | Ejector spring, BioC |

Finnpipette Spare Parts in Order of Code Number

| Reference | Part name |
|-----------|--|
| 1131630 | Piston Spring 0,6x7,4x8 |
| 1131670 | Snap spring, Multistepper |
| 1131680 | Selector Dial Spring |
| 1131690 | Retainer Spring |
| 1131700 | Pecker Spring |
| 1131780 | Pullback Spring 0,4x4x21 |
| 1131790 | Piston Spring 0,5x8x4,5 |
| 1131800 | Dash Spring 0,3x2,7x12 |
| 1131810 | Piston Spring 0,5x6,9x70 |
| 1131820 | Tip ejector spring 0,5x3,6x25 |
| 1131830 | Tip ejector spring, BioC |
| 1131840 | Piston Spring 0,5x8,5x35 |
| 1131850 | Piston Spring 0,3x4,3x25 |
| 1131870 | Tip Ejector Spring 0,7x18x22 |
| 1131880 | Spring 0,3x3,4x20 |
| 1131890 | Piston Spring 0,75x8,1x75 |
| 1131900 | Dash Spring 0,25x2,7x15 |
| 1131930 | Fastening Spring |
| 1131940 | Piston Spring 0,75x8x80 |
| 1131950 | Tip Ejector Spring 0,7x28x57 |
| 1132000 | Spring 0,3x3,6x20 |
| 1132110 | Spring 0,5x5,7x46 |
| 1132120 | Spring 0,3x3,4x20 |
| 1132130 | Piston Spring 0,25x3,6x11,5 |
| 1132150 | Piston Spring 0,5x8x7,5 |
| 1132180 | Tip ejector spring 0,75x15,4x25 |
| 1132190 | Cover spring 0,7x11,8x12 |
| 1132320 | Piston Spring 0,45x5,2x60 |
| 1132330 | Piston Spring 0,4x4,2x110 |
| 1132340 | Dash Spring 0,3x3,6x45 |
| 1132360 | Tip ejector pusher spring 0,4x4x15 |
| 1132390 | Tip ejector spring 0,8x18,5x26 |
| 1132400 | Cover spring 0,7x12,1x17 |
| 1132420 | Piston Spring 0,6x6,5x110 |
| 1132430 | Holder spring 0,7x6,5x160 |
| 1132440 | Holder spring 0,63x6,5x160 |
| 1132450 | Holder spring 0,6x6,5x160 |
| 1132460 | Tip ejector pusher spring 0,4x4,1x17,5 |
| 1132470 | Tip ejector spring 0,75x20x24 |
| 1132480 | Tip ejector spring 0,9x24x25 |
| 1132490 | Fastening Spring 8ch Novus |
| 1132500 | Fastening Spring 12ch Novus |
| 1132510 | Holder spring 0,6x6,5x135 |
| 1132620 | Cover spring 0,7x11,7x6,5 |
| 1132630 | Fastening Spring 1200ul |
| 1132640 | O-Ring Spring 0,7x11,8x17 |
| 1132650 | Piston Spring 0,6x6,8x75 |
| 1132680 | Ejector Spring 0,5x3,8x32,5 |
| 1132720 | Holder Spring 0,6x8,6x150 |
| 1132810 | O-Ring spring 0,4x7,8x14 |
| 1132820 | Ejector Spring 0,5x4,5x20 |
| 1132830 | Piston Spring 0,5x6,5x120 |
| 1140551 | Pecker Pin 1,5x11,8 |
| 1140580 | Pin 1.5x6.8, BioC |
| 1143160 | Tape double coated 10x20mm |
| 12025020 | Keyboard, BioC |
| 12025050 | Keypad, pink Novus |
| 12025060 | Keypad, yellow Novus |
| 12025070 | Keypad, turquoise Novus |
| 12025080 | Keypad, orange Novus |
| 12025090 | Keypad, blue Novus |
| 12025100 | Keypad, green Novus |
| 12025110 | Keypad, red Novus |
| 12905130 | Power supply Europe, BioC |
| 12905140 | Power supply USA, BioC |
| 12905150 | Power supply Japan, BioC |
| 12905160 | Power supply UK, BioC |
| 12905170 | Power supply Australia, BioC |
| 12905500 | Charger EUR, Use code 12905560 |
| 12905510 | Charger USA, Use code 12905560 |
| 12905520 | Charger Japan, Use code 12905560 |
| 12905530 | Charger UK, Use code 12905560 |
| 12905540 | Charger Aus, Use code 12905560 |
| 12905550 | Battery Lithium Novus |
| 12905560 | Charger universal, Novus |
| 1527110 | Label MCP Colour |
| 1527200 | Safety label silver Digital |
| 2201240 | Piston assy 50ul, MCP Colour |
| 2201520 | Piston 5-40ul, Colour |
| 2202011 | Handle 50ul, Varichannel |
| 2202310 | Piston assy 10ul, SCP Colour |
| 2202580 | Handle 200ul, Varichannel |
| 2202590 | Handle 1000ul, Varichannel |
| 2202940 | Piston assy 300ul, MCP Colour |
| 2203090 | Piston assy 200ul, Multistepper |
| 2203130 | Grease tube, 2g |
| 2203540 | Handle assy 50ul, Multistepper |

Finnpipette Spare Parts in Order of Code Number

| Reference | Part name |
|-----------|---|
| 2203680 | Cylinder-Piston assy 200ul Multistepper |
| 2203691 | Body assy 200ul, Multistepper |
| 2203700 | Body 50ul, Varichannel |
| 2203701 | Body 1000ul, Varichannel |
| 2203711 | Handle, Multistepper |
| 2203720 | Piston assy 1000ul, Varichannel |
| 2203730 | Piston assy 200ul, Varichannel |
| 2203740 | Piston assy 50ul, Varichannel |
| 2204030 | Handle 25ul, PDP |
| 2204040 | Handle 200ul, PDP |
| 2204450 | Tip cone assy 10ul, Colour |
| 2204780 | Handle core 5ul Fixed, Colour |
| 2204790 | Handle core 10ul Fixed, Colour |
| 2204800 | Handle core 20ul Fixed, Colour |
| 2204810 | Handle core 25ul Fixed, Colour |
| 2204820 | Handle core 50ul Fixed, Colour |
| 2204830 | Handle core 100ul Fixed, Colour |
| 2204840 | Handle core 200ul Fixed, Colour |
| 2204850 | Handle core 250ul Fixed, Colour |
| 2204860 | Handle core 500ul Fixed, Colour |
| 2204870 | Handle core 1000ul Fixed, Colour |
| 2204880 | Pistons |
| 2205070 | Body 50ul, 4ch Colour |
| 2205080 | Body 300ul, 4ch Colour |
| 2205090 | Body 50ul, 8ch Colour |
| 2205100 | Body 300ul, 8ch Colour |
| 2205110 | Body 50ul, 12ch Colour |
| 2205120 | Body 300ul, 12ch Colour |
| 2205130 | Handle 50ul, MCP Colour |
| 2205140 | Handle 300ul, MCP Colour |
| 2205190 | Tip ejector lever assy, BioC |
| 2205200 | Trigger, BioC |
| 2205210 | Motor assy, BioC |
| 2205230 | Bushing assy, BioC |
| 2205240 | Finnpipette BioControl Module 8ch 5-50ul |
| 2205250 | Finnpipette BioControl Module 8ch 50-300ul |
| 2205280 | Stand, BioC |
| 2205310 | Flexible CB, BioC |
| 2205320 | Trigger CB, BioC |
| 2205350 | Battery assy, BioC |
| 2205390 | Handle core 0.5-10ul, Colour |
| 2205400 | Handle core 5-40ul, Colour |
| 2205410 | Handle core 20/40-200ul, Colour |
| 2205420 | Handle core 200-1000ul, Colour |
| 2205490 | Handle core 1-5ml, Colour |
| 2205500 | Piston assy 5ml, Colour |
| 2205510 | Handle core 1-5ml Fixed, Colour |
| 2205680 | Finnpipette BioControl Module 12ch 5-50ul |
| 2205690 | Finnpipette BioControl Module 12ch 50-300ul |
| 2205700 | Piston assy 2ul, Digital |
| 2205710 | Piston assy 10ul, Digital |
| 2205720 | Piston assy 40ul, Digital |
| 2205730 | Sealing assy 2ul, Digital |
| 2205740 | Handle 0.2-2ul, Digital |
| 2205750 | Handle 0.5-10ul, Digital |
| 2205760 | Handle 5-40ul, Digital |
| 2205770 | Handle 40-200ul, Digital |
| 2205780 | Handle 200-1000ul, Digital |
| 2205790 | Handle 1-5ml, Digital |
| 2205800 | Handle 2-10ml, Digital |
| 2205810 | Handle 10ul MCP, Digital |
| 2205820 | Handle 50ul MCP, Digital |
| 2205830 | Handle 300ul MCP, Digital |
| 2205840 | Piston assy 5ml, Digital |
| 2205850 | Piston assy 2-10ml, Digital |
| 2205860 | Piston assy 10ul MCP, Digital |
| 2205900 | Module 10ul 8ch, Digital |
| 2205910 | Module 50ul 8ch, Digital |
| 2205920 | Module 300ul 8ch, Digital |
| 2205930 | Module 50ul 12ch, Digital |
| 2205940 | Module 300ul 12ch, Digital |
| 2205950 | Piston assy 50ul MCP, Digital |
| 2205960 | Piston assy 300ul MCP, Digital |
| 2205970 | Piston Holder 8ch, Digital |
| 2205980 | Piston Holder 12ch, Digital |
| 2205990 | Finnpipette BioControl SC Module 40ul |
| 2206000 | Finnpipette BioControl SC Module 200ul |
| 2206010 | Finnpipette BioControl SC Module 1000ul |
| 2206020 | Finnpipette BioControl SC Module 5 ml |
| 2206030 | Finnpipette BioControl SC Module 10 ml |
| 2206050 | Finnpipette BioControl Module 8ch 0.5-10ul |
| 2206060 | Finnpipette BioControl Module 8ch 50-1500ul |
| 2206200 | Handle 1ul Fixed, Digital |
| 2206210 | Handle 2ul Fixed, Digital |
| 2206220 | Handle 5ul Fixed, Digital |
| 2206230 | Handle 10ul Fixed, Digital |
| 2206240 | Handle 20ul Fixed, Digital |

Finnpipette Spare Parts in Order of Code Number

| Reference | Part name |
|-----------|---|
| 2206250 | Handle 25ul Fixed, Digital |
| 2206260 | Handle 50ul Fixed, Digital |
| 2206270 | Handle 100ul Fixed, Digital |
| 2206280 | Handle 200ul Fixed, Digital |
| 2206290 | Handle 250ul Fixed, Digital |
| 2206300 | Handle 500ul Fixed, Digital |
| 2206310 | Handle 1000ul Fixed, Digital |
| 2206320 | Handle 2ml Fixed, Digital |
| 2206330 | Handle 3ml Fixed, Digital |
| 2206340 | Handle 5ml Fixed, Digital |
| 2206350 | Handle 10ml Fixed, Digital |
| 2206360 | Piston assy 5ml, BioC |
| 2206370 | Piston assy 10ml, BioC |
| 2206380 | Piston assy 1000ul, BioC |
| 2206390 | Main CB, BioC |
| 2206400 | Handle, BioC |
| 2206430 | Piston assy 50ul, Digital |
| 2206440 | Piston assy 20ul, Digital |
| 2206500 | Piston 1500ul, BioC |
| 2206590 | Finnpipette Multistep Module 50-250ul |
| 2206600 | Piston 100ul, Digital |
| 2206610 | Handle 2-20ul, Digital |
| 2206620 | Handle 20-200ul Digital |
| 2206630 | Handle 10-100ul Digital |
| 2206640 | Handle 100-1000ul Digital |
| 2206910 | Module 10ul 12ch, Digital |
| 2206970 | Handle core 5-50ul, Colour |
| 2206980 | Handle core 100-1000ul, Colour |
| 2207020 | Module 50ul 16ch, Digital |
| 2207030 | Finnpipette BioControl Module 16ch 5-50ul micro |
| 2207090 | Tip cone assy 300ul, 12pcs Digital |
| 2207130 | Collar 5-50ul MCP, 12pcs Colour |
| 2207140 | Collar 50-300ul MCP, 12pcs Colour |
| 2207220 | Handle 5-50ul, Digital |
| 2207250 | Y-connector, BioMate |
| 2207260 | Tubing, BioMate |
| 2207270 | Body moulding, BioMate |
| 2207280 | Control valve assy, BioMate |
| 2207290 | Pump, BioMate |
| 2207300 | Insulation tape, BioMate |
| 2207310 | Battery pack, BioMate |
| 2207320 | PCB assy, BioMate |
| 2207330 | Inline connector, BioMate |
| 2207340 | Filter holder, BioMate |
| 2207350 | Micro switch, BioMate |
| 2207890 | Locking pieces (2pcs) |
| 2207920 | Tip cone assy 10ul, 12pcs |
| 2207940 | Tip cone assy 50ul, 12pcs BioC |
| 2207950 | Tip cone assy 16ch 50ul, 8pcs |
| 2207960 | Handle combo, Novus |
| 2207990 | Piston assy 10ul, Novus |
| 2208020 | Piston assy 5ml, Focus |
| 2208030 | Tip cone assy 10ul, Focus short |
| 2208040 | Tip cone assy 50ul, Focus short |
| 2208050 | Tip cone assy 100ul, Focus short |
| 2208060 | Tip cone assy 300ul, Focus short |
| 2208070 | Tip cone assy 1000ul, Focus short |
| 2208080 | Tip cone assy 5ml, Focus |
| 2208090 | Tip cone assy 10ml, Focus |
| 2208100 | Tip cone assy 10ul Micro, Focus short |
| 2208110 | Tip cone assy 50ul Micro, Focus short |
| 2208120 | Piston assy 10ul, Focus short |
| 2208160 | Piston assy 10ml, Focus |
| 2208170 | Tip cone assy 30ul Micro, Focus short |
| 2208180 | Tip cone assy 3ul, Focus short |
| 2208190 | Tip cone assy 5ul, Focus short |
| 2208200 | Handle 1-10ml, Focus |
| 2208210 | Handle 0.5-5ml, Focus |
| 2208220 | Handle 100-1000ul, Focus short |
| 2208230 | Handle 30-300ul, Focus short |
| 2208240 | Handle 10-100ul, Focus short |
| 2208250 | Handle 5-50ul, Focus short |
| 2208260 | Handle 3-30ul, Focus short |
| 2208270 | Handle 1-10ul, Focus short |
| 2208280 | Handle 0.5-5ul, Focus short |
| 2208290 | Handle 0.3-3ul, Focus short |
| 2208310 | Piston assy 0.3-3ul, Focus short |
| 2208320 | Piston assy 0.5-5ul, Focus short |
| 2208330 | Piston assy 3-30ul, Focus short |
| 2208450 | Tip cone assy 30ul, Focus short |
| 2208460 | Sealing assy 0.3-3ul, Focus |
| 2208470 | Tip cone assy 2-5ml Fixed, Focus |
| 2208480 | Tip cone assy 6-10ml Fixed, Focus |
| 2208490 | Handle 10ml Fixed, Focus |
| 2208500 | Handle 5ml Fixed, Focus |
| 2208510 | Handle 3ml Fixed, Focus |
| 2208520 | Handle 2ml Fixed, Focus |

Finnpipette Spare Parts in Order of Code Number

| Reference | Part name |
|-----------|--|
| 2208530 | Handle 1000ul Fixed, Focus |
| 2208540 | Handle 500ul Fixed, Focus |
| 2208550 | Handle 250ul Fixed, Focus |
| 2208560 | Handle 200ul Fixed, Focus |
| 2208570 | Handle 100ul Fixed, Focus |
| 2208580 | Handle 50ul Fixed, Focus |
| 2208590 | Handle 25ul Fixed, Focus |
| 2208600 | Handle 20ul Fixed, Focus |
| 2208610 | Handle 10ul Fixed, Focus |
| 2208620 | Handle 5ul Fixed, Focus |
| 2208630 | Handle 2ul Fixed, Focus |
| 2208640 | Handle 1ul Fixed, Focus |
| 2208660 | Handle 10ul MCP, Focus |
| 2208670 | Handle 50ul MCP, Focus |
| 2208680 | Handle 300ul MCP, Focus |
| 2208690 | Module 10ul 8ch MCP, Focus |
| 2208700 | Module 10ul 12ch MCP, Focus |
| 2208710 | Module 50ul 8ch MCP, Focus |
| 2208720 | Module 50ul 12ch MCP, Focus |
| 2208730 | Module 300ul 8ch MCP, Focus |
| 2208740 | Module 300ul 12ch MCP, Focus |
| 2208750 | Module 50ul 16ch MCP, Focus |
| 2208760 | Piston holder 8ch MCP, Focus |
| 2208770 | Piston holder 12ch MCP, Focus |
| 2208840 | Locking pieces (2pcs) MCP, Focus |
| 2208880 | Piston assy 5-50ul MCP, Focus |
| 2208890 | Piston assy 0.3-3ul, Focus STD |
| 2208900 | Piston assy 0.5-5ul, Focus STD |
| 2208910 | Piston assy 1-10ul, Focus STD |
| 2208920 | Piston assy 3-30ul, Focus STD |
| 2208940 | Tip cone assy 300ul, 12pcs MCP Focus |
| 2208950 | Tip cone assy 100-1000ul, Focus STD |
| 2208960 | Tip cone assy 30-300ul, Focus STD |
| 2208970 | Tip cone assy 10-100ul, Focus STD |
| 2208980 | Tip cone assy 5-50ul, Focus STD |
| 2208990 | Tip cone assy 5-50ul Micro, Focus STD |
| 2209000 | Tip cone assy 3-30ul, Focus STD |
| 2209010 | Tip cone assy 3-30ul Micro, Focus STD |
| 2209020 | Tip cone assy 1-10ul, Focus STD |
| 2209030 | Tip cone assy 1-10ul Micro, Focus STD |
| 2209040 | Tip cone assy 0.5-5ul, Focus STD |
| 2209050 | Tip cone assy 0.3-3ul, Focus STD |
| 2209090 | Tip cone assy 50ul, 12pcs MCP Focus |
| 2209110 | Tip cone assy 10ul, 12pcs MCP Focus |
| 2209140 | Handle 100-1000ul, Focus STD |
| 2209150 | Handle 30-300ul, Focus STD |
| 2209160 | Handle 10-100ul, Focus STD |
| 2209170 | Handle 5-50ul, Focus STD |
| 2209180 | Handle 3-30ul, Focus STD |
| 2209190 | Handle 1-10ul, Focus STD |
| 2209200 | Handle 0.5-5ul, Focus STD |
| 2209210 | Handle 0.3-3ul, Focus STD |
| 2209230 | Module 1-10ul 8ch, MCP+ Focus |
| 2209240 | Module 1-10ul 12ch, MCP+ Focus |
| 2209250 | Module 5-50ul 8ch, MCP+ Focus |
| 2209260 | Module 5-50ul 12ch, MCP+ Focus |
| 2209270 | Module 30-300ul 8ch, MCP+ Focus |
| 2209280 | Module 30-300ul 12ch, MCP+ Focus |
| 2209290 | Module 5-50ul 16ch, MCP+ Focus |
| 2209300 | Handle 1-10ul, MCP+ Focus |
| 2209310 | Handle 5-50ul MCP+ Focus |
| 2209320 | Handle 30-300ul MCP+ Focus |
| 2209350 | Tip cone assy 300ul, 12pcs MCP F1 |
| 2209500 | Module 1-10ul Micro, Novus |
| 2209510 | Module 1-10ul, Novus |
| 2209520 | Module 5-50ul Micro, Novus |
| 2209530 | Module 5-50ul, Novus |
| 2209540 | Module 10-100ul, Novus |
| 2209550 | Module 30-300ul, Novus |
| 2209560 | Module 100-1000ul, Novus |
| 2209570 | Module 0.5-5ml, Novus |
| 2209580 | Module 1-10ml, Novus |
| 2209590 | Piston assy 5ml, Novus |
| 2209600 | Piston assy 10ml, Novus |
| 2209610 | Main CB assy (software not included) |
| 22096101 | Main CB assy 1-10ul Micro, Novus |
| 22096102 | Main CB assy 1-10ul Novus |
| 22096103 | Main CB assy 5-50ul Micro, Novus |
| 22096104 | Main CB assy 5-50ul, Novus |
| 22096105 | Main CB assy 10-100ul, Novus |
| 22096106 | Main CB assy 30-300ul, Novus |
| 22096107 | Main CB assy 100-1000ul, Novus |
| 22096108 | Main CB assy 0.5-5ml, Novus |
| 22096109 | Main CB assy 1-10ml, Novus |
| 22096111 | Main CB assy 1-10ul 8ch, Novus |
| 22096112 | Main CB assy 1-10ul 12ch, Novus |
| 22096113 | Main CB assy 5-50ul 8ch, Novus |

Finnpipette Spare Parts in Order of Code Number

| Reference | Part name |
|-----------|--|
| 22096114 | Main CB assy 5-50ul 8ch, Novus |
| 22096115 | Main CB assy 30-300ul 8ch, Novus |
| 22096116 | Main CB assy 30-300ul 12ch, Novus |
| 22096117 | Main CB assy 5-50ul 16ch, Novus |
| 22096118 | Main CB assy 1200ul 8ch, Novus |
| 2209710 | Opto CB assy, Novus |
| 2209720 | Trigger CB assy, Novus |
| 2209740 | Coupler assy, Novus |
| 2209750 | Step motor assy, Novus |
| 2209800 | Module 1-10ul 8ch, Novus |
| 2209810 | Module 1-10ul 12ch, Novus |
| 2209820 | Module 5-50ul 8ch, Novus |
| 2209830 | Module 5-50ul 12ch, Novus |
| 2209840 | Module 30-300ul 8ch, Novus |
| 2209850 | Module 30-300ul 12ch, Novus |
| 2209860 | Module 5-50ul 16ch, Novus |
| 2209870 | Piston assy 10ul MCP, Novus |
| 2209880 | Piston assy 300ul MCP, F |
| 2209910 | Use code 2212700, Tip cone assy 300ul, 12pcs MCP Novus old |
| 2209920 | Piston assy 1200ul MCP, Novus |
| 2209930 | Module 1200ul 8ch, Novus |
| 2209940 | Handle Finnpipette Novus MCP 1200ul |
| 2209950 | Main CB assy, Novus BL (no SW) |
| 22099501 | Main CB assy 1-10ul Micro, Novus BL |
| 22099502 | Main CB assy 1-10ul Novus BL |
| 22099503 | Main CB assy 5-50ul Micro, Novus BL |
| 22099504 | Main CB assy 5-50ul, Novus BL |
| 22099505 | Main CB assy 10-100ul, Novus BL |
| 22099506 | Main CB assy 30-300ul, Novus BL |
| 22099507 | Main CB assy 100-1000ul, Novus BL |
| 22099508 | Main CB assy 0.5-5ml, Novus BL |
| 22099509 | Main CB assy 1-10ml, Novus BL |
| 22099511 | Main CB assy 1-10ul 8ch, Novus BL |
| 22099512 | Main CB assy 1-10ul 12ch, Novus BL |
| 22099513 | Main CB assy 5-50ul 8ch, Novus BL |
| 22099514 | Main CB assy 5-50ul 8ch, Novus BL |
| 22099515 | Main CB assy 30-300ul 8ch, Novus BL |
| 22099516 | Main CB assy 30-300ul 12ch, Novus BL |
| 22099517 | Main CB assy 5-50ul 16ch, Novus BL |
| 22099518 | Main CB assy 1200ul 8ch, Novus BL |
| 2209980 | Piston assy 10ul 16ch F-series |
| 2210100 | Handle 1-10ul universal, F3 |
| 2210110 | Handle 2-20ul universal, F3 |
| 2210120 | Handle 10-100ul, F3 |
| 2210130 | Handle 20-200ul, F3 |
| 2210140 | Handle 100-1000ul, F3 |
| 2210150 | Handle 1-10ml, F3 |
| 2210160 | Handle 5ul Fixed, F3 |
| 2210170 | Handle 10ul Fixed, F3 |
| 2210180 | Handle 25ul Fixed, F3 |
| 2210190 | Handle 50ul Fixed, F3 |
| 2210200 | Handle 100ul Fixed, F3 |
| 2210210 | Handle 250ul Fixed, F3 |
| 2210220 | Handle 500ul Fixed, F3 |
| 2210230 | Handle 1000ul Fixed, F3 |
| 2210240 | Tip cone assy 10ul universal, F3 |
| 2210250 | Tip cone assy 20ul universal, F3 |
| 2210260 | Tip cone assy 100ul, F3 |
| 2210270 | Tip cone assy 200ul, F3 |
| 2210280 | Tip cone assy 1000ul, F3 |
| 2210290 | Tip cone assy 10ml, F3 |
| 2210300 | Piston 10ul F-series |
| 2210310 | Piston assy 20ul F-series |
| 2210320 | Piston assy 1-10ml F3 |
| 2210380 | Tip cone assy 10ul Micro, F3 |
| 2210390 | Tip cone assy 20ul Micro, F3 |
| 2210430 | Handle 1-10ul Micro, F3 |
| 2210440 | Handle 2-20ul Micro, F3 |
| 2210450 | Handle 1ul Fixed, F3 |
| 2210460 | Cap yellow, F3 |
| 2210470 | Cap blue, F3 |
| 2210480 | Cap red, F3 |
| 2210490 | Cap pink, F3 |
| 2210500 | Cap turquoise, F3 |
| 2210670 | Cap dark blue, F3 |
| 2211000 | Use code 2213160 Handle 0.2-2ul Micro, F2 |
| 2211010 | Use code 2213170 Handle 0.5-5ul Micro, F2 |
| 2211020 | Use code 2213180 Handle 1-10ul Micro, F2 |
| 2211030 | Use code 2213190 Handle 1-10ul universal, F2 |
| 2211040 | Use code 2213200 Handle 2-20ul Micro, F2 |
| 2211050 | Use code 2213210 Handle 2-20ul universal, F2 |
| 2211060 | Use code 2213220 Handle 10-100ul, F2 |
| 2211070 | Use code 2213230 Handle 20-200ul, F2 |
| 2211080 | Use code 2213240 Handle 100-1000ul, F2 |
| 2211090 | Use code 2213250 Handle 0.5-5ml, F2 |
| 2211100 | Use code 2213260 Handle 1-10ml, F2 |
| 2211110 | Use code 2213270 Handle 5-50ul, F2 |

Finnpipette Spare Parts in Order of Code Number

| Reference | Part name |
|-----------|--|
| 2211120 | Use code 2213280 Handle 30-300ul, F2 |
| 2211130 | Use code 2213330 Handle 1ul Fixed, F2 |
| 2211140 | Use code 2213340 Handle 5ul Fixed, F2 |
| 2211150 | Use code 2213350 Handle 10ul Fixed, F2 |
| 2211160 | Use code 2213360 Handle 25ul Fixed, F2 |
| 2211170 | Use code 2213370 Handle 50ul Fixed, F2 |
| 2211180 | Use code 2213380 Handle 100ul Fixed, F2 |
| 2211190 | Use code 2213390 Handle 250ul Fixed, F2 |
| 2211200 | Use code 2213400 Handle 500ul Fixed, F2 |
| 2211210 | Use code 2213410 Handle 1000ul Fixed, F2 |
| 2211220 | Use code 2213420 Handle 2ml Fixed, F2 |
| 2211230 | Use code 2213430 Handle 3ml Fixed, F2 |
| 2211240 | Use code 2213440 Handle 5ml Fixed, F2 |
| 2211250 | Use code 2213450 Handle 10ml Fixed, F2 |
| 2211260 | Module 10ul 8ch, F2 |
| 2211270 | Module 10ul 12ch, F2 |
| 2211280 | Module 50ul 8ch, F2 |
| 2211290 | Module 50ul 12ch, F2 |
| 2211300 | Module 100ul 8ch, F2 |
| 2211310 | Module 100ul 12ch, F2 |
| 2211320 | Module 300ul 8ch, F2 |
| 2211330 | Module 300ul 12ch, F2 |
| 2211340 | Module 10ul 16ch, F2 |
| 2211350 | Module 50ul 16ch, F2 |
| 2211510 | Tip cone assy 10ul Micro, F2 |
| 2211520 | Cap pink, F2 |
| 2211540 | Tip cone assy 10ul universal, F2 |
| 2211550 | Cap yellow, F2 |
| 2211560 | Cap turquoise, F2 |
| 2211570 | Cap blue, F2 |
| 2211580 | Cap green, F2 |
| 2211590 | Cap red, F2 |
| 2211600 | Tip cone assy 20ul Micro, F2 |
| 2211610 | Tip cone assy 20ul universal, F2 |
| 2211620 | Tip cone assy 100ul, F2 |
| 2211630 | Tip cone assy 200ul, F2 |
| 2211640 | Tip cone assy 1000ul, F2 |
| 2211650 | Piston assy 0,5-5ml F2 |
| 2211660 | Tip cone assy 5ml, F2 |
| 2211670 | Tip cone assy 10ml, F2 |
| 2211680 | Cap orange, F2 |
| 2211800 | Cap lila, F2 |
| 2211810 | Cap dark blue, F2 |
| 2211830 | Use code 2213290 Handle 10ul 16ch, F2 |
| 2211860 | Piston assy MCP 10ul F-series |
| 2211870 | Piston 2ul F-series |
| 2211880 | Piston 5ul F-series |
| 2211890 | Tip cone assy 2ul, F2 |
| 2211900 | Tip cone assy 5ul, F2 |
| 2211910 | Tip cone assy 2-5ml Fixed, F2 |
| 2211920 | Tip cone assy 6-10ml Fixed, F2 |
| 2211950 | Handle 0.2-2ul Micro, F1 |
| 2211960 | Handle 0.5-5ul Micro, F1 |
| 2211970 | Handle 1-10ul Micro, F1 |
| 2211980 | Handle 1-10ul universal, F1 |
| 2211990 | Handle 2-20ul Micro, F1 |
| 2212000 | Handle 2-20ul universal, F1 |
| 2212010 | Handle 10-100ul, F1 |
| 2212020 | Handle 20-200ul, F1 |
| 2212030 | Handle 30-300ul, F1 |
| 2212040 | Handle 100-1000ul, F1 |
| 2212050 | Handle 0.5-5ml, F1 |
| 2212060 | Handle 1-10ml, F1 |
| 2212080 | Tip ejector pusher upper part F1 |
| 2212090 | Tip cone assy 2ul, F1 |
| 2212100 | Tip cone assy 5ul, F1 |
| 2212110 | Tip cone assy 10ul Micro, F1 |
| 2212170 | Tip cone assy 10ul universal, F1 |
| 2212180 | Tip cone assy 20ul Micro, F1 |
| 2212190 | Tip cone assy 20ul universal, F1 |
| 2212200 | Tip cone assy 100ul, F1 |
| 2212210 | Tip cone assy 200ul, F1 |
| 2212220 | Tip cone assy 300ul, F1 |
| 2212240 | Tip cone assy 1000ul, F1 |
| 2212250 | Tip cone assy 5ml, F1 |
| 2212260 | Tip cone assy 10ml, F1 |
| 2212280 | Handle 5-50ul, F1 |
| 2212290 | Handle 10ul 16ch, F1 |
| 2212300 | Use code 2213300 Handle 50ul 16ch, F2 |
| 2212310 | Handle 50ul 16ch, F1 |
| 2212320 | Piston assy 10ml F1 |
| 2212330 | Module 10ul 8ch, F1 |
| 2212340 | Module 10ul 12ch, F1 |
| 2212350 | Module 50ul 8ch, F1 |
| 2212360 | Module 50ul 12ch, F1 |
| 2212370 | Module 100ul 8ch, F1 |
| 2212380 | Module 100ul 12ch, F1 |

Finnpipette Spare Parts in Order of Code Number

| Reference | Part name |
|-----------|---|
| 2212390 | Module 300ul 8ch, F1 |
| 2212400 | Module 300ul 12ch, F1 |
| 2212410 | Module 10ul 16ch, F1 |
| 2212420 | Module 50ul 16ch, F1 |
| 2212440 | Tip cone assy 100ul 12pcs, F1 |
| 2212450 | Handle 1ul Fixed, F1 |
| 2212460 | Handle 5ul Fixed, F1 |
| 2212470 | Handle 10ul Fixed, F1 |
| 2212480 | Handle 25ul Fixed, F1 |
| 2212490 | Handle 50ul Fixed, F1 |
| 2212500 | Handle 100ul Fixed, F1 |
| 2212510 | Handle 250ul Fixed, F1 |
| 2212520 | Handle 500ul Fixed, F1 |
| 2212530 | Handle 1000ul Fixed, F1 |
| 2212540 | Handle 2ml Fixed, F1 |
| 2212550 | Handle 3ml Fixed, F1 |
| 2212560 | Handle 5ml Fixed, F1 |
| 2212570 | Handle 10ml Fixed, F1 |
| 2212600 | Piston assy 5ml F1 |
| 2212700 | Tip cone assy 300ul, 12pcs Novus |
| 2212720 | Main CB, Novus BL HD (no SW) |
| 22127201 | Main CB 1-10ul Micro, Novus BL HD |
| 22127202 | Main CB 1-10ul Novus BL HD |
| 22127203 | Main CB 5-50ul Micro, Novus BL HD |
| 22127204 | Main CB 5-50ul, Novus BL HD |
| 22127205 | Main CB 10-100ul, Novus BL HD |
| 22127206 | Main CB 30-300ul, Novus BL HD |
| 22127207 | Main CB 100-1000ul, Novus BL HD |
| 22127208 | Main CB 0.5-5ml, Novus BL HD |
| 22127209 | Main CB 1-10ml, Novus BL HD |
| 22127211 | Main CB 1-10ul 8ch, Novus BL HD |
| 22127212 | Main CB 1-10ul 12ch, Novus BL HD |
| 22127213 | Main CB 5-50ul 8ch, Novus BL HD |
| 22127214 | Main CB 5-50ul 8ch, Novus BL HD |
| 22127215 | Main CB 30-300ul 8ch, Novus BL HD |
| 22127216 | Main CB 30-300ul 12ch, Novus BL HD |
| 22127217 | Main CB 5-50ul 16ch, Novus BL HD |
| 22127218 | Main CB 1200ul 8ch, Novus BL HD |
| 2212750 | Tip cone assy 50ul 12pcs, F1 |
| 2212760 | Tip cone assy 10ul 16ch 8pcs, F1 |
| 2212770 | Tip cone assy 10ul 12pcs, F2 |
| 2212780 | Tip cone assy 50ul 12pcs, F2 |
| 2212790 | Tip cone assy 100ul 12pcs, F2 |
| 2212800 | Tip cone assy 300ul 12pcs, F2 |
| 2212810 | Tip cone assy 10ul 16ch 8pcs, F2 |
| 2212820 | Tip cone assy 50ul 16ch 8pcs, F2 |
| 2212830 | Tip Ejector 1-10ul 8ch F1 |
| 2212840 | Tip Ejector 1-10ul 12ch F1 |
| 2212850 | Tip Ejector 8ch F1 |
| 2212860 | Tip Ejector 12ch F1 |
| 2212880 | Handle 30-300ul F3 |
| 2212890 | Module 50ul 8ch F3 |
| 2212900 | Module 50ul 12ch F3 |
| 2212910 | Module 300ul 8ch F3 |
| 2212920 | Module 300ul 12ch F3 |
| 2212930 | Cap orange F3 |
| 2212940 | Handle 5-50ul Micro, F3 |
| 2212950 | Tip cone assy 50ul Micro, F3 |
| 2212960 | Handle 5-50ul, F3 |
| 2212970 | Tip cone assy 50ul Universal, F3 |
| 2212980 | Use code 2213300 Handle 5-50ul μ Tip F2 |
| 2212990 | Tip cone assy 50ul Micro, F2 |
| 2213000 | Use code 2213270 Handle 5-50ul F2 |
| 2213010 | Tip cone assy 50ul Universal, F2 |
| 2213020 | Handle 5-50ul Micro, F1 |
| 2213030 | Tip cone assy 50ul Micro, F1 |
| 2213040 | Handle 5-50ul universal, F1 |
| 2213050 | Tip cone assy 50ul universal, F1 |
| 2213060 | Piston assy MCP 100ul F-series |
| 2213090 | Handle 20ul Fixed, F1 |
| 2213100 | Handle 200ul Fixed, F1 |
| 2213110 | Handle 20ul Fixed, F2 |
| 2213120 | Handle 200ul Fixed, F2 |
| 2213160 | Handle 0,2-2ul Micro F2 |
| 2213170 | Handle 0,5-5ul Micro F2 |
| 2213180 | Handle 1-10ul Micro F2 |
| 2213190 | Handle 1-10ul Universal F2 |
| 2213200 | Handle 2-20ul Micro F2 |
| 2213210 | Handle 2-20ul Universal F2 |
| 2213220 | Handle 10-100ul F2 |
| 2213230 | Handle 20-200ul F2 |
| 2213240 | Handle 100-1000ul F2 |
| 2213250 | Handle 0,5-5ml F2 |
| 2213260 | Handle 1-10ml F2 |
| 2213270 | Handle 5-50ul Universal F2 |
| 2213280 | Handle 30-300ul F2 |
| 2213290 | Handle 10ul 16ch F2 |

Finnpipette Spare Parts in Order of Code Number

| Reference | Part name |
|-----------|--|
| 2213300 | Handle 5-50ul Micro F2 |
| 2213330 | Handle 1ul Fixed F2 |
| 2213340 | Handle 5ul Fixed F2 |
| 2213350 | Handle 10ul Fixed F2 |
| 2213360 | Handle 25ul Fixed F2 |
| 2213370 | Handle 50ul Fixed F2 |
| 2213380 | Handle 100ul Fixed F2 |
| 2213390 | Handle 250ul Fixed F2 |
| 2213400 | Handle 500ul Fixed F2 |
| 2213410 | Handle 1000ul Fixed F2 |
| 2213420 | Handle 2ml Fixed F2 |
| 2213430 | Handle 3ml Fixed F2 |
| 2213440 | Handle 5ml Fixed F2 |
| 2213450 | Handle 10ml Fixed F2 |
| 22278 | Gripper,pipette |
| 22279 | Retainer,filter |
| 22280 | Pipette gripper housing |
| 22291 | Trigger, Fill, Cellmate II |
| 22294 | PCB,main CellMate II |
| 22295 | Keypad,rubber CellMate II |
| 22297 | Lens, CellMate II |
| 22298 | Backlight,CellMate II |
| 22590 | Tubing,pvc Cellmate |
| 22595 | Connector,tube 1/16" |
| 22596 | Pad,felt adhesive back |
| 22641 | Assy,valve/trigger |
| 22642 | Assy,motor/pump |
| 22643 | Cable,motor assy CellMate II |
| 22678 | Housing,CellMate II left white |
| 22679 | Housing,CellMate II right white |
| 22687 | Spring, Cellmate II |
| 22688 | Battery,lithium ion w/conn |
| 22903 | Power supply,universal CellMat |
| 23202 | Trigger, Dispense, Cellmate II |
| 2900510 | Maintenance Pliers, Digital |
| 3300060 | Grease tube, 100g |
| 3675250 | Sticker, BioC |
| 40270070 | Finnpipette Campus 0,5-10ul |
| 40270080 | Finnpipette Campus 5-40ul |
| 40270090 | Finnpipette Campus 40-200ul |
| 40270100 | Finnpipette Campus 200-1000ul |
| 40270110 | Finnpipette Campus 1-5ml |
| 40270280 | Finnpipette Colour 5-50ul |
| 40270290 | Finnpipette Colour 20-200ul |
| 40270300 | Finnpipette Colour 100-1000ul |
| 40270310 | Finnpipette Campus 5-50ul |
| 40270320 | Finnpipette Campus 20-200ul |
| 40270330 | Finnpipette Campus 100-1000ul |
| 4027220 | Finnpipette PDP 0.5-25ul |
| 4027230 | Finnpipette PDP 20-200ul |
| 4027640 | Finnpipette Colour 0.5-10ul |
| 4027650 | Finnpipette Colour 5-40ul |
| 4027660 | Finnpipette Colour 40-200ul |
| 4027670 | Finnpipette Colour 200-1000ul |
| 4027680 | Finnpipette Colour 1-5 ml |
| 40280500 | Finnpipette Colour Fixed 5ul |
| 40280510 | Finnpipette Colour Fixed 10ul |
| 40280520 | Finnpipette Colour Fixed 20ul |
| 40280530 | Finnpipette Colour Fixed 25ul |
| 40280540 | Finnpipette Colour Fixed 50ul |
| 40280550 | Finnpipette Colour Fixed 100ul |
| 40280560 | Finnpipette Colour Fixed 200ul |
| 40280570 | Finnpipette Colour Fixed 250ul |
| 40280580 | Finnpipette Colour Fixed 500ul |
| 40280590 | Finnpipette Colour Fixed 1000ul |
| 40280610 | Finnpipette Colour Fixed 1-5ml |
| 4173180 | Finnpipette Colour MCP 4ch 5-50ul |
| 4173190 | Finnpipette Colour MCP 4ch 50-300ul |
| 4173200 | Finnpipette Colour MCP 8ch 5-50ul |
| 4173210 | Finnpipette Colour MCP 8ch 50-300ul |
| 4173220 | Finnpipette Colour MCP 12ch 5-50ul |
| 4173230 | Finnpipette Colour MCP 12ch 50-300ul |
| 4347010 | Finnpipette Varichannel 12ch 5-50ul |
| 4347020 | Finnpipette Varichannel 12ch 40-200ul |
| 4347030 | Finnpipette Varichannel 10ch 200-1000ul |
| 4407927 | Finnpipette Multistep 50/100/150/200ul |
| 4407950 | Finnpipette Multistep 12.5 /25 /37.5 /50ul |
| 4421120 | Finnpipette Dispenser 0,2-1ml |
| 4421130 | Finnpipette Dispenser 0,4-2ml |
| 4421140 | Finnpipette Dispenser 1-5ml |
| 4421150 | Finnpipette Dispenser 2-10ml |
| 4421160 | Finnpipette Dispenser 5-30ml |
| 4421170 | Finnpipette Dispenser 10-60ml |
| 4421180 | Discharge valve 0,2-10ml |
| 4421190 | Suction valve 0,2-10ml |
| 4421200 | Discharge tube 0,2-10ml |
| 4421210 | Suction tube 0,2-10ml |

Finnpipette Spare Parts in Order of Code Number

| Reference | Part name |
|-----------|---|
| 4421220 | Discharge tube 30&60ml |
| 4421230 | Suction tube 30&60ml |
| 4421240 | Discharge valve 30&60ml |
| 4421250 | Suction valve 30&60ml |
| 4500000 | Finnpipette Digital 0.2-2ul micro |
| 4500010 | Finnpipette Digital 0.5-10ul micro |
| 4500020 | Finnpipette Digital 0.5-10ul |
| 4500030 | Finnpipette Digital 5-40ul |
| 4500040 | Finnpipette Digital 40-200ul |
| 4500050 | Finnpipette Digital 200-1000ul |
| 4500060 | Finnpipette Digital 1-5 ml |
| 4500070 | Finnpipette Digital 2-10 ml |
| 4500080 | Finnpipette Digital 2-20ul |
| 4500090 | Finnpipette Digital 20-200ul |
| 4500100 | Finnpipette Digital 5-50ul |
| 4500110 | Finnpipette Digital 10-100ul |
| 4500120 | Finnpipette Digital 100-1000ul |
| 4501000 | Finnpipette Digital Fixed 1ul micro |
| 4501010 | Finnpipette Digital Fixed 2ul micro |
| 4501020 | Finnpipette Digital Fixed 5ul micro |
| 4501030 | Finnpipette Digital Fixed 10ul micro |
| 4501040 | Finnpipette Digital Fixed 20ul |
| 4501050 | Finnpipette Digital Fixed 25ul |
| 4501060 | Finnpipette Digital Fixed 50ul |
| 4501070 | Finnpipette Digital Fixed 100ul |
| 4501080 | Finnpipette Digital Fixed 200ul |
| 4501090 | Finnpipette Digital Fixed 250ul |
| 4501100 | Finnpipette Digital Fixed 500ul |
| 4501110 | Finnpipette Digital Fixed 1000ul |
| 4501120 | Finnpipette Digital Fixed 2ml |
| 4501130 | Finnpipette Digital Fixed 3ml |
| 4501140 | Finnpipette Digital Fixed 5ml |
| 4501150 | Finnpipette Digital Fixed 10ml |
| 4510000 | Finnpipette Digital MCP 8ch 0.5-10ul micro |
| 4510010 | Finnpipette Digital MCP 12ch 0.5-10ul micro |
| 4510020 | Finnpipette Digital MCP 8ch 5-50ul |
| 4510030 | Finnpipette Digital MCP 8ch 50-300ul |
| 4510040 | Finnpipette Digital MCP 12ch 5-50ul |
| 4510050 | Finnpipette Digital MCP 12ch 50-300ul |
| 4510070 | Finnpipette Digital MCP 16ch 5-50ul micro |
| 4540000 | Finnpipette Stepper |
| 4580560 | Filter, Finnpipette C1, non sterile |
| 4580570 | Filter, Finnpipette C1, sterile |
| 4580580 | Silicone pipette adapter, BioMate |
| 4580590 | Base with base plate, BioMate |
| 4580600 | Base Plate, BioMate |
| 4580610 | Nose cone, BioMate |
| 4580660 | Charger EUR, BioMate |
| 4580670 | Charger UK, BioMate |
| 4580680 | Charger USA, BioMate |
| 4580690 | Charger Japan, BioMate |
| 4580700 | Charger Australia, BioMate |
| 4600010 | Finnpipette FOCUS Short 1-10ul |
| 4600020 | Finnpipette FOCUS Short 5-50ul |
| 4600030 | Finnpipette FOCUS Short 10-100ul |
| 4600040 | Finnpipette FOCUS Short 30-300ul |
| 4600050 | Finnpipette FOCUS Short 100-1000ul |
| 4600060 | Finnpipette FOCUS Short 0.5-5ml |
| 4600070 | Finnpipette FOCUS Short 1-10ml |
| 4600080 | Finnpipette FOCUS Short 1-10ul micro |
| 4600090 | Finnpipette FOCUS Short 5-50ul micro |
| 4600100 | Finnpipette FOCUS Short 0.3-3ul micro |
| 4600110 | Finnpipette FOCUS Short 0.5-5ul micro |
| 4600120 | Finnpipette FOCUS Short 3-30ul micro |
| 4600130 | Finnpipette FOCUS Short 3-30ul |
| 4600150 | Finnpipette FOCUS STD 0.3-3ul micro |
| 4600160 | Finnpipette FOCUS STD 0.5-5ul micro |
| 4600170 | Finnpipette FOCUS STD 1-10ul micro |
| 4600180 | Finnpipette FOCUS STD 1-10ul |
| 4600190 | Finnpipette FOCUS STD 3-30ul micro |
| 4600200 | Finnpipette FOCUS STD 3-30ul |
| 4600210 | Finnpipette FOCUS STD 5-50ul micro |
| 4600220 | Finnpipette FOCUS STD 5-50ul |
| 4600230 | Finnpipette FOCUS STD 10-100ul |
| 4600240 | Finnpipette FOCUS STD 30-300ul |
| 4600250 | Finnpipette FOCUS STD 100-1000ul |
| 4601000 | Finnpipette FOCUS Short Fixed 1ul micro |
| 4601010 | Finnpipette FOCUS Short Fixed 2ul micro |
| 4601020 | Finnpipette FOCUS Short Fixed 5ul micro |
| 4601030 | Finnpipette FOCUS Short Fixed 10ul micro |
| 4601040 | Finnpipette FOCUS Short Fixed 20ul |
| 4601050 | Finnpipette FOCUS Short Fixed 25ul |
| 4601060 | Finnpipette FOCUS Short Fixed 50ul |
| 4601070 | Finnpipette FOCUS Short Fixed 100ul |
| 4601080 | Finnpipette FOCUS Short Fixed 200ul |
| 4601090 | Finnpipette FOCUS Short Fixed 250ul |
| 4601100 | Finnpipette FOCUS Short Fixed 500ul |

Finnpipette Spare Parts in Order of Code Number

| Reference | Part name |
|-----------|--|
| 4601110 | Finnpipette FOCUS Short Fixed 1000ul |
| 4601120 | Finnpipette FOCUS Short Fixed 2ml |
| 4601130 | Finnpipette FOCUS Short Fixed 3ml |
| 4601140 | Finnpipette FOCUS Short Fixed 5ml |
| 4601150 | Finnpipette FOCUS Short Fixed 10ml |
| 4601160 | Finnpipette FOCUS STD Fixed 1ul micro |
| 4601170 | Finnpipette FOCUS STD Fixed 2ul micro |
| 4601180 | Finnpipette FOCUS STD Fixed 5ul micro |
| 4601190 | Finnpipette FOCUS STD Fixed 10ul micro |
| 4601200 | Finnpipette FOCUS STD Fixed 20ul |
| 4601210 | Finnpipette FOCUS STD Fixed 25ul |
| 4601220 | Finnpipette FOCUS STD Fixed 50ul |
| 4601230 | Finnpipette FOCUS STD Fixed 100ul |
| 4601240 | Finnpipette FOCUS STD Fixed 200ul |
| 4601250 | Finnpipette FOCUS STD Fixed 250ul |
| 4601260 | Finnpipette FOCUS STD Fixed 500ul |
| 4601270 | Finnpipette FOCUS STD Fixed 1000ul |
| 4610000 | Finnpipette FOCUS MCP 8ch 1-10ul micro |
| 4610010 | Finnpipette FOCUS MCP 12ch 1-10ul micro |
| 4610020 | Finnpipette FOCUS MCP 8ch 5-50ul |
| 4610030 | Finnpipette FOCUS MCP 12ch 5-50ul |
| 4610040 | Finnpipette FOCUS MCP 8ch 30-300ul |
| 4610050 | Finnpipette FOCUS MCP 12ch 30-300ul |
| 4610070 | Finnpipette FOCUS MCP 16ch 5-50ul micro |
| 4610100 | Finnpipette FOCUS MCP+ 8ch 1-10ul micro |
| 4610110 | Finnpipette FOCUS MCP+ 12ch 1-10ul micro |
| 4610120 | Finnpipette FOCUS MCP+ 8ch 5-50ul |
| 4610130 | Finnpipette FOCUS MCP+ 12ch 5-50ul |
| 4610140 | Finnpipette FOCUS MCP+ 8ch 30-300ul |
| 4610150 | Finnpipette FOCUS MCP+ 12ch 30-300ul |
| 4610170 | Finnpipette FOCUS MCP+ 16ch 5-50ul micro |
| 4640000 | Finnpipette F3 1-10ul micro |
| 4640010 | Finnpipette F3 1-10ul |
| 4640020 | Finnpipette F3 2-20ul micro |
| 4640030 | Finnpipette F3 2-20ul |
| 4640040 | Finnpipette F3 10-100ul |
| 4640050 | Finnpipette F3 20-200ul |
| 4640060 | Finnpipette F3 100-1000ul |
| 4640070 | Finnpipette F3 1-10ml |
| 4640080 | Finnpipette F3 5-50ul micro |
| 4640090 | Finnpipette F3 5-50ul |
| 4641010 | Finnpipette F1 0.2-2ul micro |
| 4641020 | Finnpipette F1 0.5-5ul micro |
| 4641030 | Finnpipette F1 1-10ul micro |
| 4641040 | Finnpipette F1 1-10ul |
| 4641050 | Finnpipette F1 2-20ul micro |
| 4641060 | Finnpipette F1 2-20ul |
| 4641070 | Finnpipette F1 10-100ul |
| 4641080 | Finnpipette F1 20-200ul |
| 4641090 | Finnpipette F1 30-300ul |
| 4641100 | Finnpipette F1 100-1000ul |
| 4641110 | Finnpipette F1 0.5-5ml |
| 4641120 | Finnpipette F1 1-10ml |
| 4641130 | Finnpipette F1 5-50ul micro |
| 4641140 | Finnpipette F1 5-50ul |
| 4642010 | Finnpipette F2 0.2-2ul micro |
| 4642020 | Finnpipette F2 0.5-5ul micro |
| 4642030 | Finnpipette F2 1-10ul micro |
| 4642040 | Finnpipette F2 1-10ul |
| 4642050 | Finnpipette F2 2-20ul micro |
| 4642060 | Finnpipette F2 2-20ul |
| 4642070 | Finnpipette F2 10-100ul |
| 4642080 | Finnpipette F2 20-200ul |
| 4642090 | Finnpipette F2 100-1000ul |
| 4642100 | Finnpipette F2 0.5-5ml |
| 4642110 | Finnpipette F2 1-10ml |
| 4642120 | Finnpipette F2 5-50ul micro |
| 4642130 | Finnpipette F2 5-50ul |
| 4650000 | Finnpipette F3 Fixed 1ul micro |
| 4650010 | Finnpipette F3 Fixed 5ul micro |
| 4650020 | Finnpipette F3 Fixed 10ul |
| 4650030 | Finnpipette F3 Fixed 25ul |
| 4650040 | Finnpipette F3 Fixed 50ul |
| 4650050 | Finnpipette F3 Fixed 100ul |
| 4650060 | Finnpipette F3 Fixed 250ul |
| 4650070 | Finnpipette F3 Fixed 500ul |
| 4650080 | Finnpipette F3 Fixed 1000ul |
| 4651000 | Finnpipette F1 Fixed 1ul micro |
| 4651010 | Finnpipette F1 Fixed 5ul micro |
| 4651020 | Finnpipette F1 Fixed 10ul |
| 4651030 | Finnpipette F1 Fixed 25ul |
| 4651040 | Finnpipette F1 Fixed 50ul |
| 4651050 | Finnpipette F1 Fixed 100ul |
| 4651060 | Finnpipette F1 Fixed 250ul |
| 4651070 | Finnpipette F1 Fixed 500ul |
| 4651080 | Finnpipette F1 Fixed 1000ul |
| 4651090 | Finnpipette F1 Fixed 2ml |

Finnpipette Spare Parts in Order of Code Number

| Reference | Part name |
|------------------|--------------------------------------|
| 4651100 | Finnpipette F1 Fixed 3ml |
| 4651110 | Finnpipette F1 Fixed 5ml |
| 4651120 | Finnpipette F1 Fixed 10ml |
| 4651130 | Finnpipette F1 Fixed 20ul |
| 4651140 | Finnpipette F1 Fixed 200ul |
| 4652000 | Finnpipette F2 Fixed 1ul micro |
| 4652010 | Finnpipette F2 Fixed 5ul micro |
| 4652020 | Finnpipette F2 Fixed 10ul |
| 4652030 | Finnpipette F2 Fixed 25ul |
| 4652040 | Finnpipette F2 Fixed 50ul |
| 4652050 | Finnpipette F2 Fixed 100ul |
| 4652060 | Finnpipette F2 Fixed 250ul |
| 4652070 | Finnpipette F2 Fixed 500ul |
| 4652080 | Finnpipette F2 Fixed 1000ul |
| 4652090 | Finnpipette F2 Fixed 2ml |
| 4652100 | Finnpipette F2 Fixed 3ml |
| 4652110 | Finnpipette F2 Fixed 5ml |
| 4652120 | Finnpipette F2 Fixed 10ml |
| 4652130 | Finnpipette F2 Fixed 20ul |
| 4652140 | Finnpipette F2 Fixed 200ul |
| 4660010 | Finnpipette F3 MCP 8ch 5-50ul |
| 4660020 | Finnpipette F3 MCP 8ch 30-300ul |
| 4660040 | Finnpipette F3 MCP 12ch 5-50ul |
| 4660050 | Finnpipette F3 MCP 12ch 30-300ul |
| 4661000 | Finnpipette F1 MCP 8ch 1-10ul micro |
| 4661010 | Finnpipette F1 MCP 8ch 5-50ul |
| 4661020 | Finnpipette F1 MCP 8ch 10-100ul |
| 4661030 | Finnpipette F1 MCP 8ch 30-300ul |
| 4661040 | Finnpipette F1 MCP 12ch 1-10ul micro |
| 4661050 | Finnpipette F1 MCP 12ch 5-50ul |
| 4661060 | Finnpipette F1 MCP 12ch 10-100ul |
| 4661070 | Finnpipette F1 MCP 12ch 30-300ul |
| 4661080 | Finnpipette F1 MCP 16ch 1-10ul micro |
| 4661090 | Finnpipette F1 MCP 16ch 5-50ul micro |
| 4662000 | Finnpipette F2 MCP 8ch 1-10ul micro |
| 4662010 | Finnpipette F2 MCP 8ch 5-50ul |
| 4662020 | Finnpipette F2 MCP 8ch 10-100ul |
| 4662030 | Finnpipette F2 MCP 8ch 30-300ul |
| 4662040 | Finnpipette F2 MCP 12ch 1-10ul micro |
| 4662050 | Finnpipette F2 MCP 12ch 5-50ul |
| 4662060 | Finnpipette F2 MCP 12ch 10-100ul |
| 4662070 | Finnpipette F2 MCP 12ch 30-300ul |
| 4662080 | Finnpipette F2 MCP 16ch 1-10ul micro |
| 4662090 | Finnpipette F2 MCP 16ch 5-50ul micro |
| 5186860 | Calibration SW PC, BioC |
| 5186861 | Calibration SW Mac, BioC |
| 9420300 | Adapter, Stepper, 10 pcs |
| 9420310 | Adapter, Stepper, Sterile, 5 pcs |

Finnpipette Spare Parts in Order of Code Number

Reference

Part name

Contacts



Thermo Fisher Scientific
Ratastie 2
01620 Vantaa
Finland



+358 9 329 100



Telefax: +358 9 329 10 414



www.thermo.com/finnpipette



info.pipettes@thermofisher.com

Technical information:

Tero Pasanen, Product Manager

Phone: +358 9 329 10 376

E-mail: tero.pasanen@thermofisher.com

Suvi Berghäll, Associate Product Manager (Novus, Dispenser and C1)

Phone: +358 9 329 10 273

E-mail: suvi.berghall@thermofisher.com

Technical support

info.pipettes@thermofisher.com

Matters concerning the quality system:

Marina Elf, Quality Director

Phone: +358 9 329 10 253

E-mail: marina.elf@thermofisher.com

Ordering information:

e-mail: customerservice.fi@thermofisher.com

